

CONTENTS

Subject

DESCRIPTION AND OPERATION: (Not Applicable)

DIAGNOSIS: (Not Applicable)

MAINTENANCE AND ADJUSTMENTS: (Not Applicable)

MAJOR REPAIR:

Removal and Installation - Refer to Illustrations

SPECIFICATIONS: (Not Applicable)

Index of Illustrations

Figure	Caption
9I-1	Typical Compass Installation
9I-2	Rear Defogger (Blower) Wiring "A" Series
9I-3	Engine Block Heater "A" Series - 350 Engine
9I-4	Engine Block Heater "A" Series - 455 Engine
9I-5	Engine Block Heater "B-C-E" Series - 455 Engine
9I-6	Trailer Hitch Assembly - "A" Wagon
9I-7	Trailer Hitch Assembly - "B" Series
9I-8	Trailer Hitch Assembly - "B" Wagon
9I-10	Trailer Hitch Assembly - "C" Series
9I-11	Trailer Hitch Assembly - "E" Series
9I-12	Heated Rear Glass - Wiring - "A" Series
9I-13	Shock Absorber - Superlift - Coupes and Sedans - "A" Series
9I-14	Shock Absorber - Superlift - "B" Wagon
9I-15	Shock Absorber - Superlift - "C-E" Series - Sedans and Coupes
Decimal Equivalent Chart	
Decimal Equivalents and Tap Drill Size Chart	

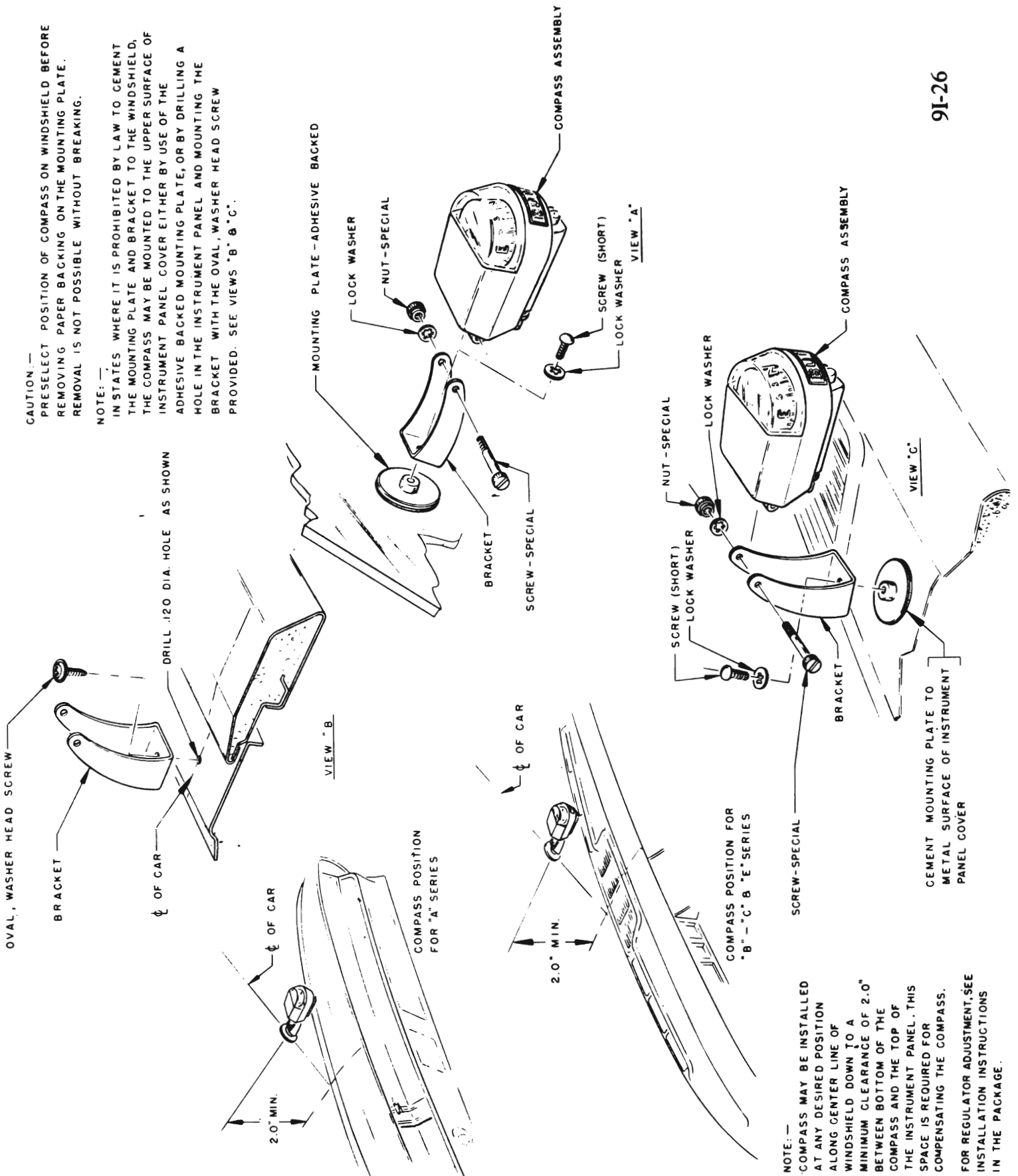


Figure 91-1 Typical Compass Installation

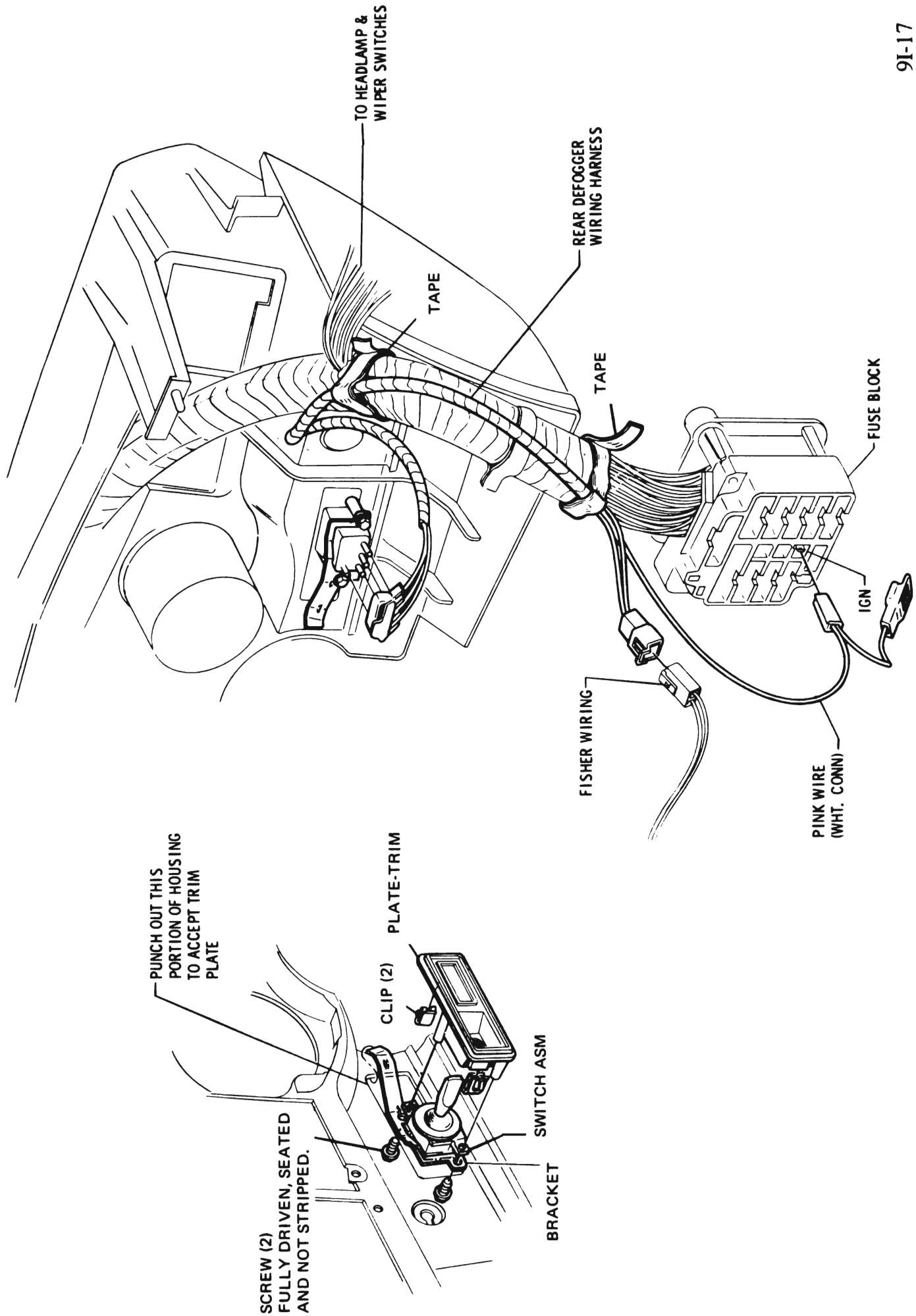
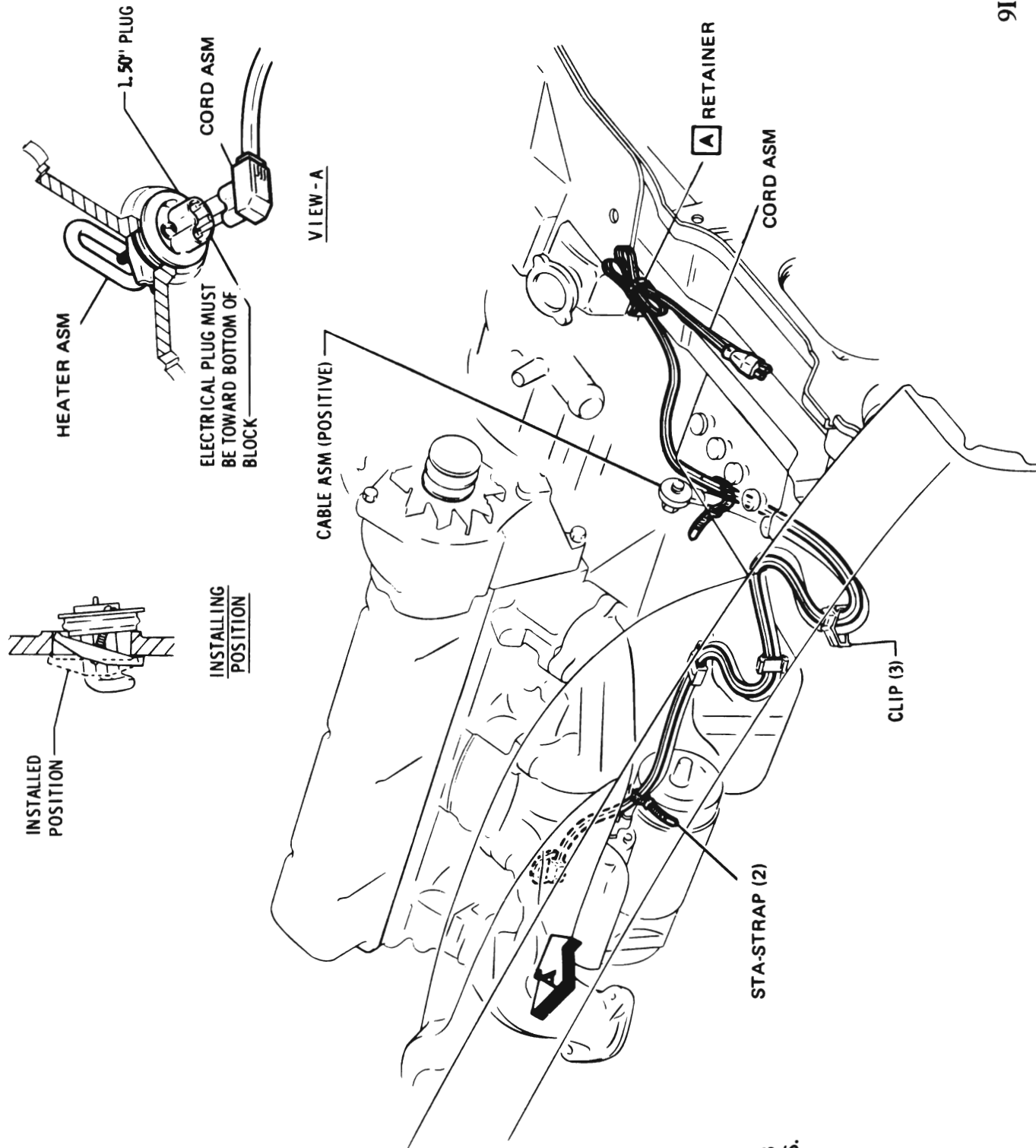


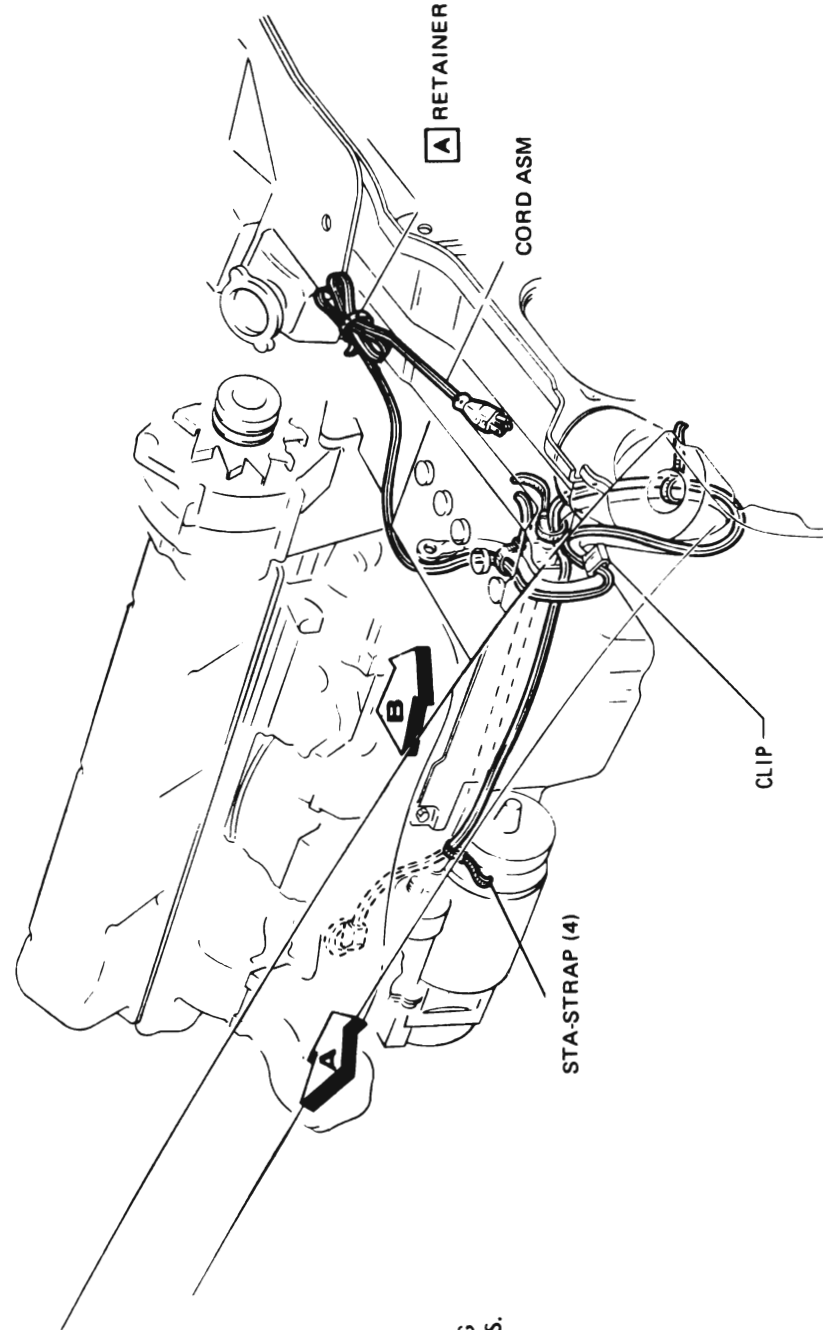
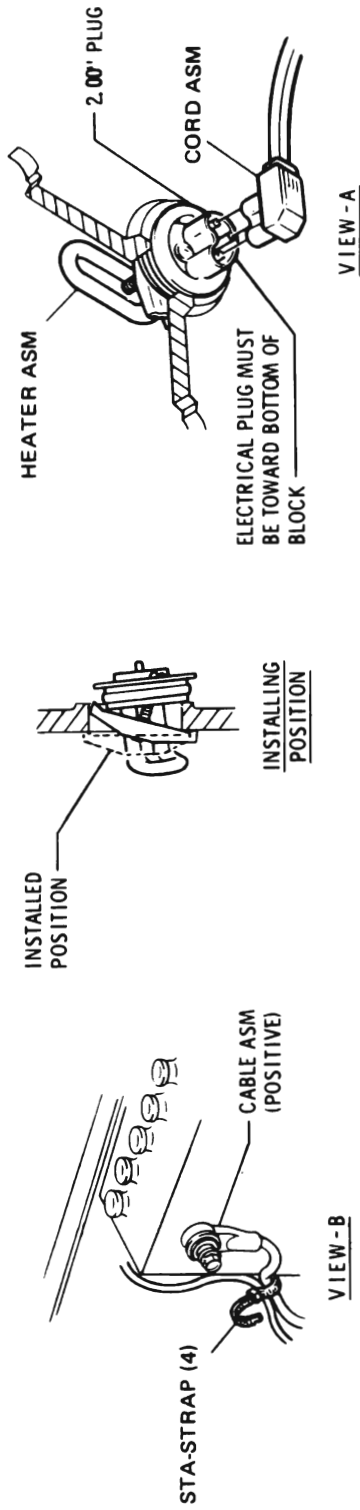
Figure 91-2 Rear Defogger (Blower) Wiring "A" Series



A RETAINER TO BE ASSEMBLED IN EXISTING HOLE IN RADIATOR TIE BAR. CORD TO BE COILED & RETAINED AT THIS LOCATION. LEAVE APPROXIMATELY 10" OF FREE CORD BEYOND RETAINER.

- REMOVE STARTER.
- REMOVE RIGHT REAR FROST PLUG CAREFULLY (DO NOT SCORE MACHINED SURFACE OF HOLE).
- THOROUGHLY CLEAN FROST PLUG HOLE, REMOVING ANY BURRS, COMPOUND, PAINT OR ROUGH SPOTS.
- APPLY A COATING OF GREASE TO "O" RING & MACHINED SURFACE OF HOLE.
- INSTALL HEATER ASSEMBLY.
- REINSTALL STARTER.

Figure 91-3 Engine Block Heater "A" Series - 350 Engine



A RETAINER TO BE ASSEMBLED IN EXISTING HOLE IN RADIATOR TIE BAR. CORD TO BE COILED & RETAINED AT THIS LOCATION. LEAVE APPROXIMATELY 10" OF FREE CORD BEYOND RETAINER.

REMOVE STARTER.

REMOVE RIGHT REAR FROST PLUG CAREFULLY (DO NOT SCORE MACHINED SURFACE OF HOLE).

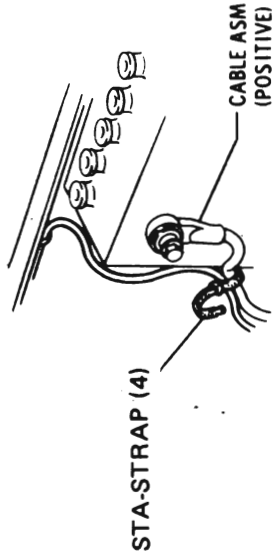
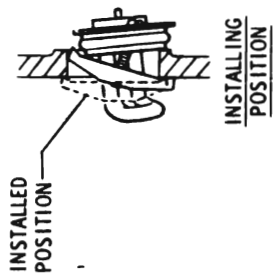
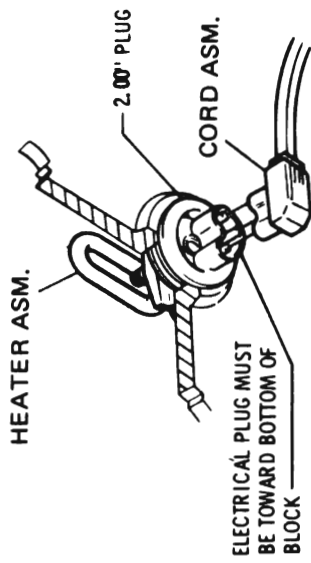
THOROUGHLY CLEAN FROST PLUG HOLE, REMOVING ANY BURRS, COMPOUND, PAINT OR ROUGH SPOTS.

APPLY A COATING OF GREASE TO "O" RING & MACHINED SURFACE OF HOLE.

INSTALL HEATER ASSEMBLY.

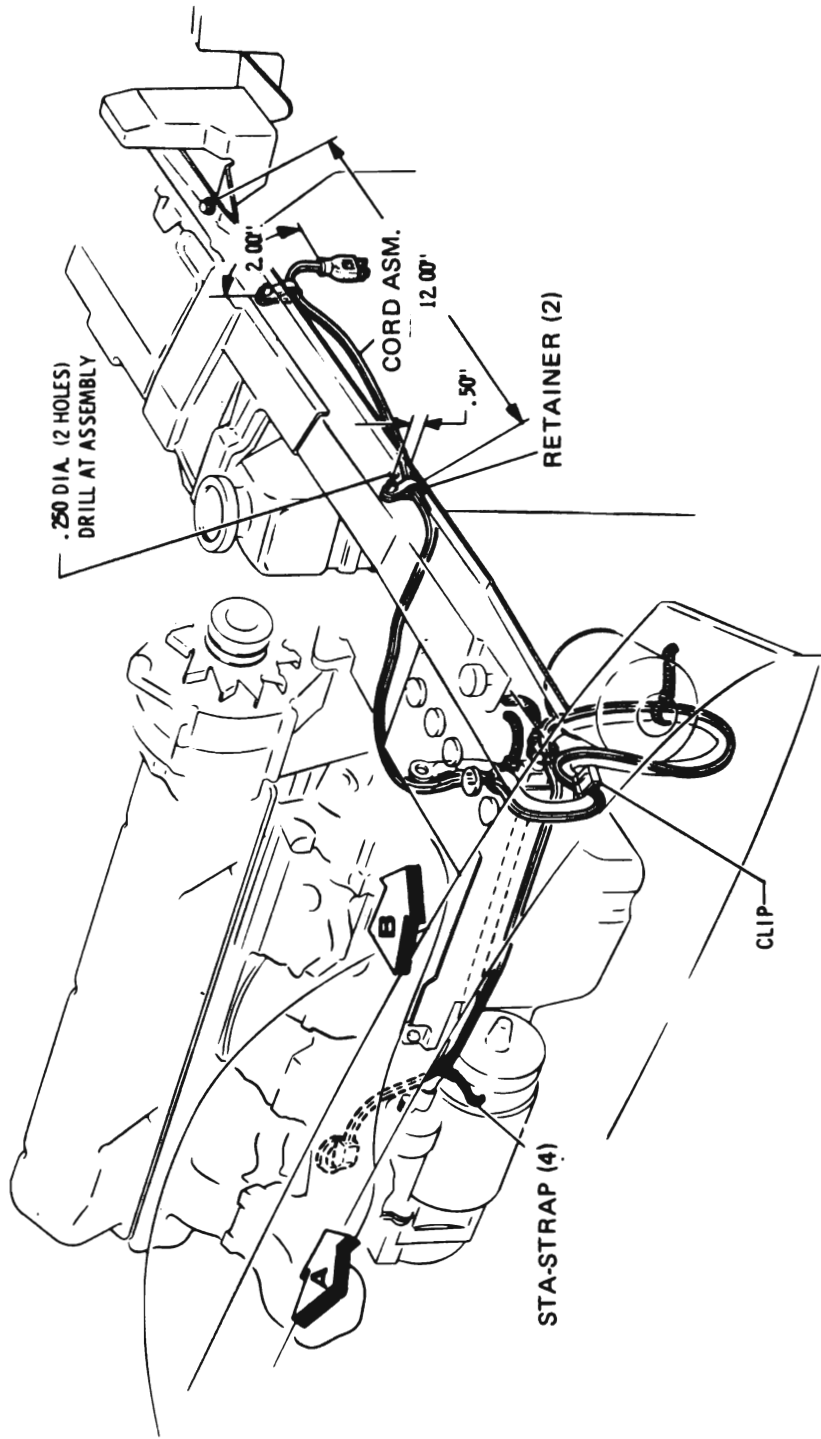
REINSTALL STARTER.

Figure 91-4 Engine Block Heater "A" Series - 455 Engine



VIEW - A

VIEW - B



- REMOVE STARTER.
- REMOVE RIGHT REAR FROST PLUG CAREFULLY (DO NOT SCORE MACHINED SURFACE OF HOLE).
- THOROUGHLY CLEAN FROST PLUG HOLE, REMOVING ANY BURRS, COMPOUND, PAINT OR ROUGH SPOTS.
- APPLY A COATING OF GREASE TO "O" RING & MACHINED SURFACE OF HOLE.
- INSTALL HEATER ASSEMBLY.
- REINSTALL STARTER.

Figure 91-5 Engine Block Heater "B-C-E" Series - 455 Engine

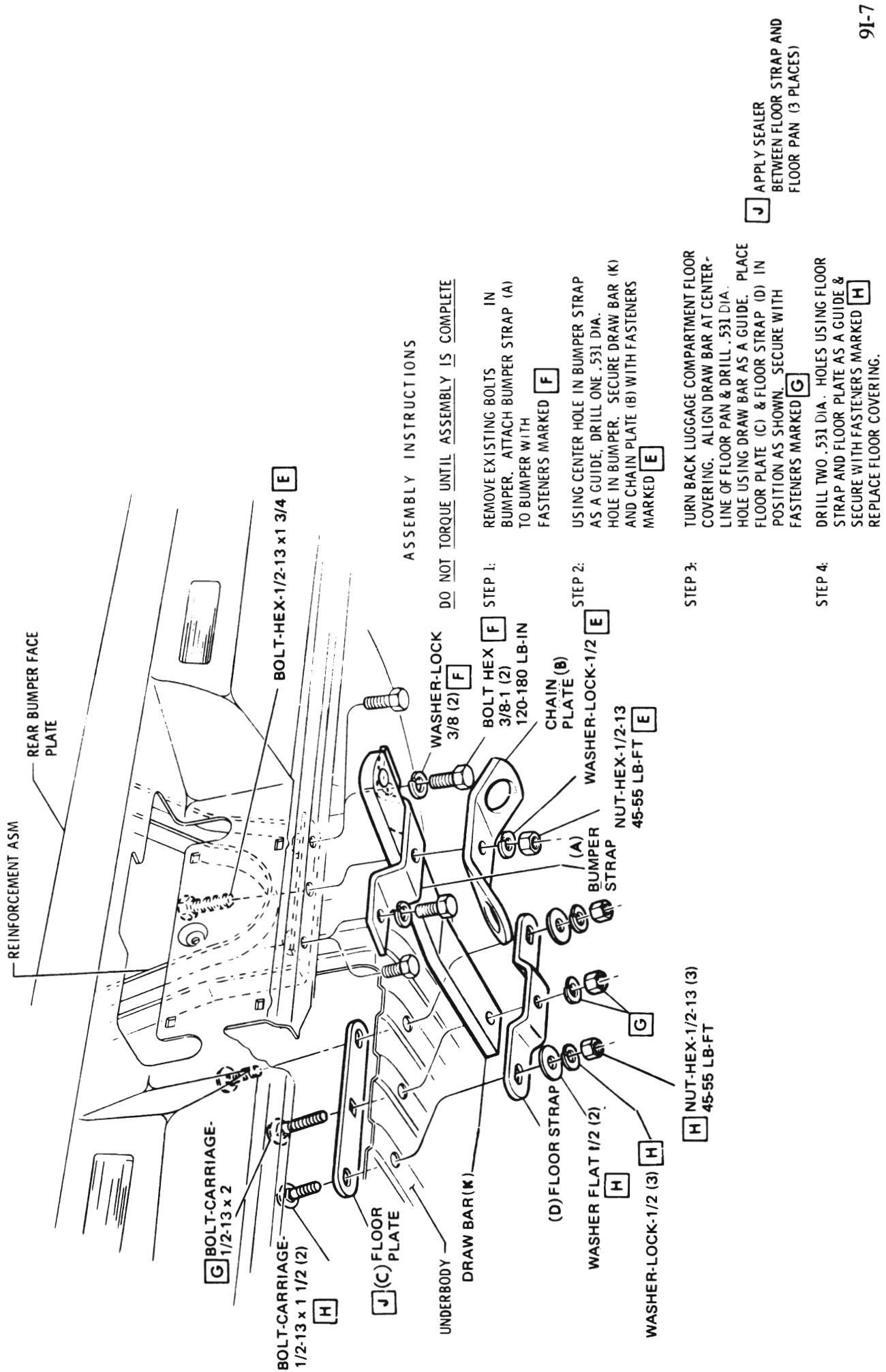


Figure 91-6 Trailer Hitch Assembly - "A" Wagon

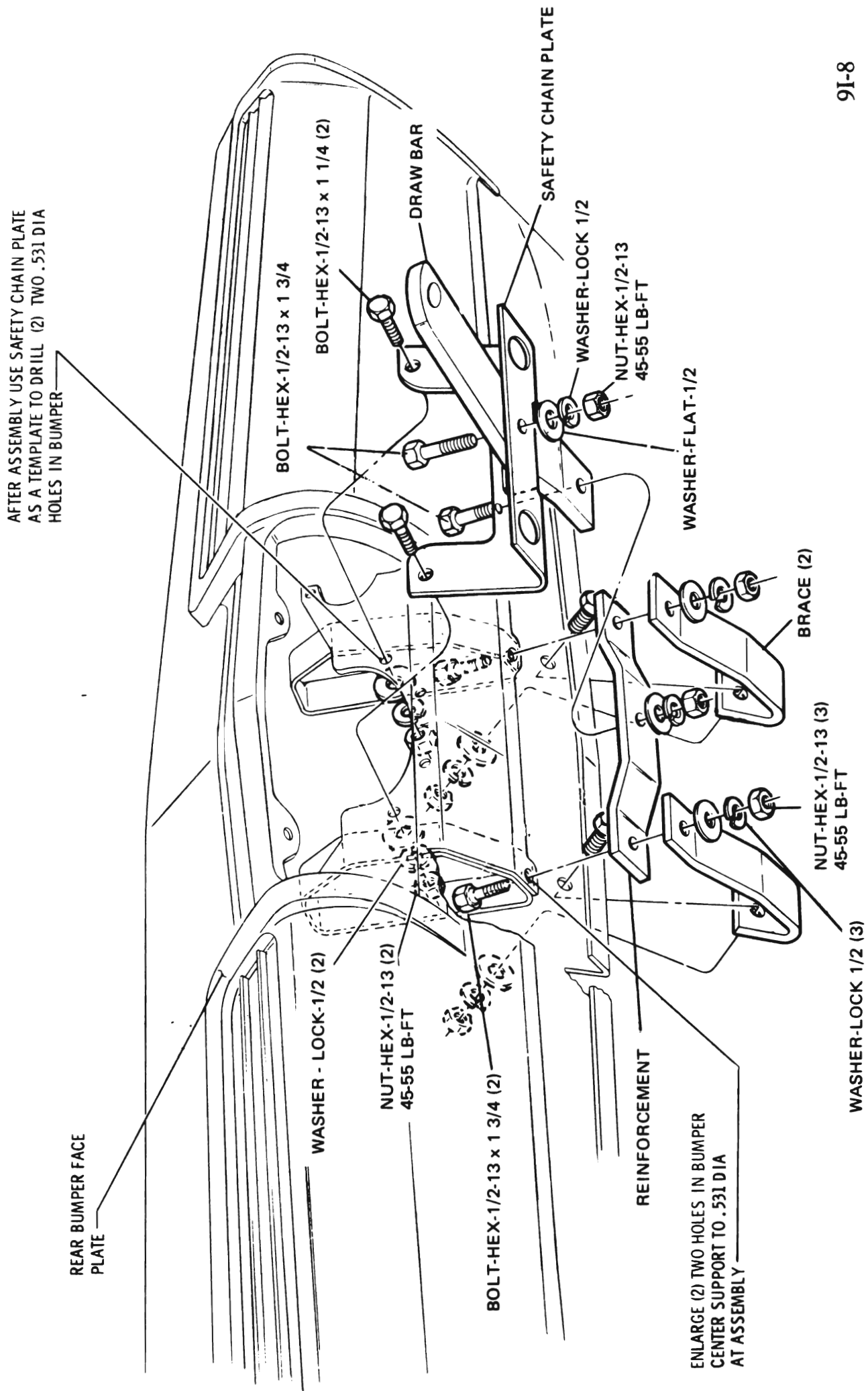


Figure 91-7 Trailer Hitch Assembly - "B" Series

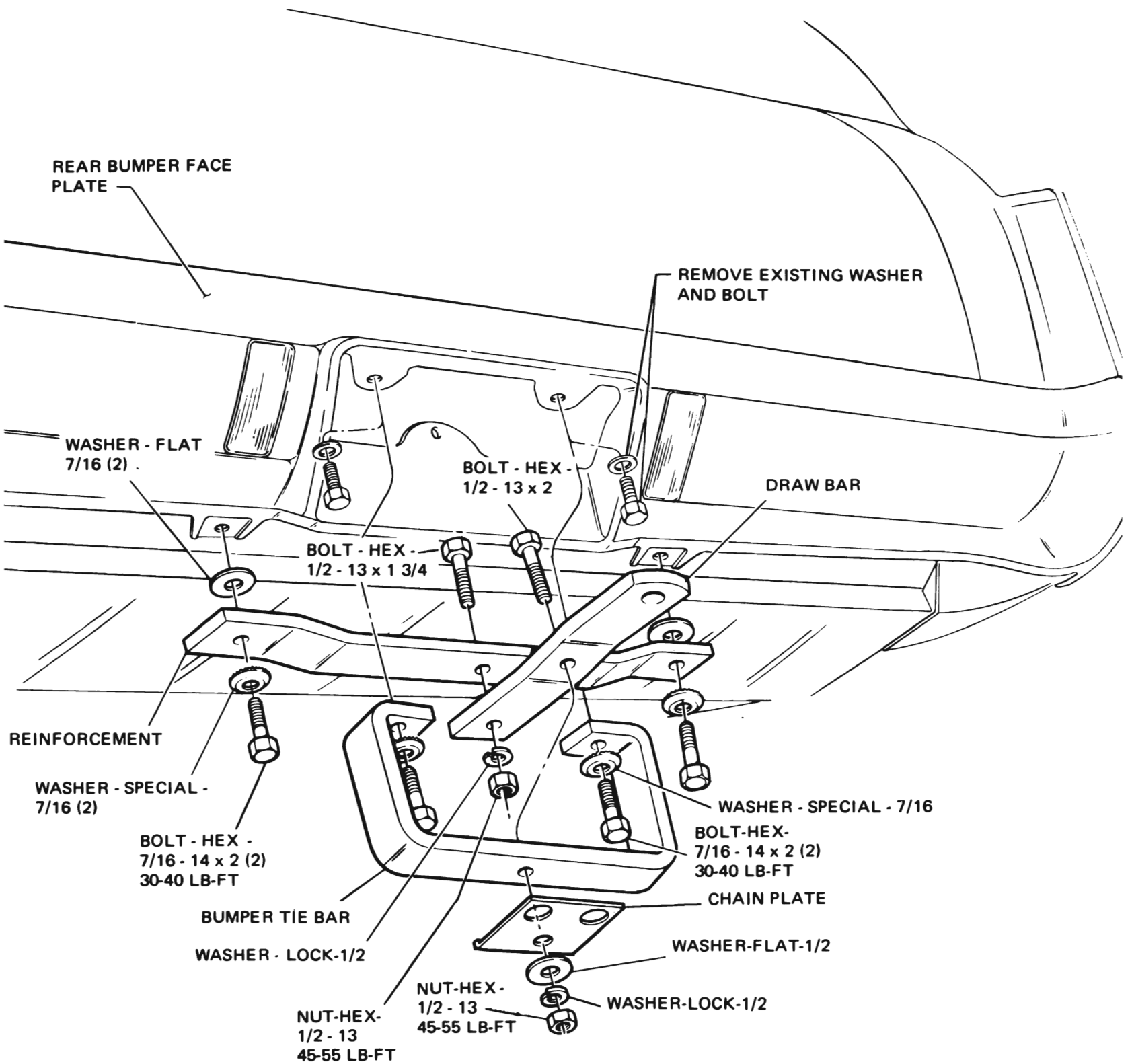


Figure 91-8 Trailer Hitch Assembly - "B" Wagon

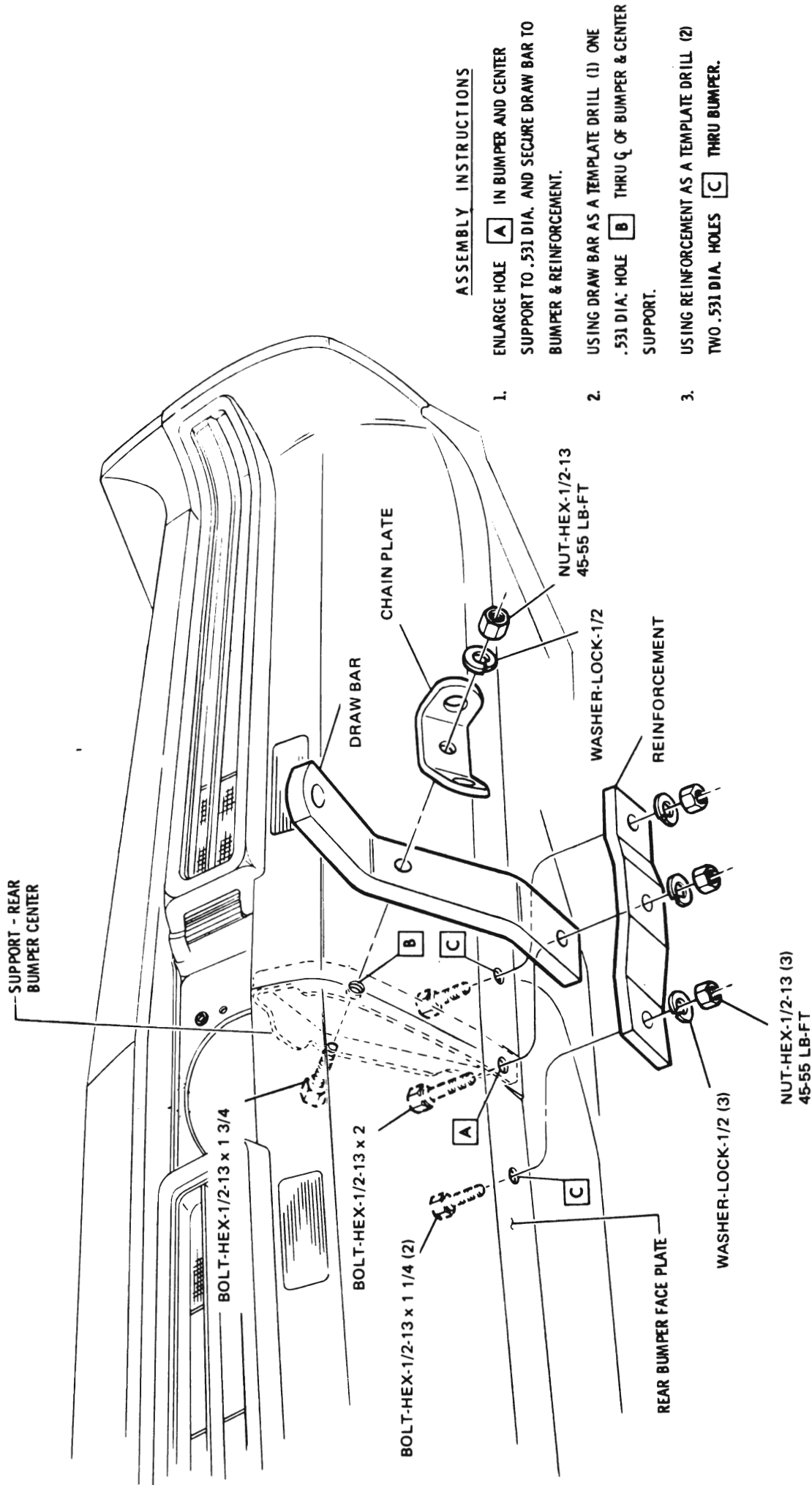


Figure 91-10 Trailer Hitch Assembly - "C" Series

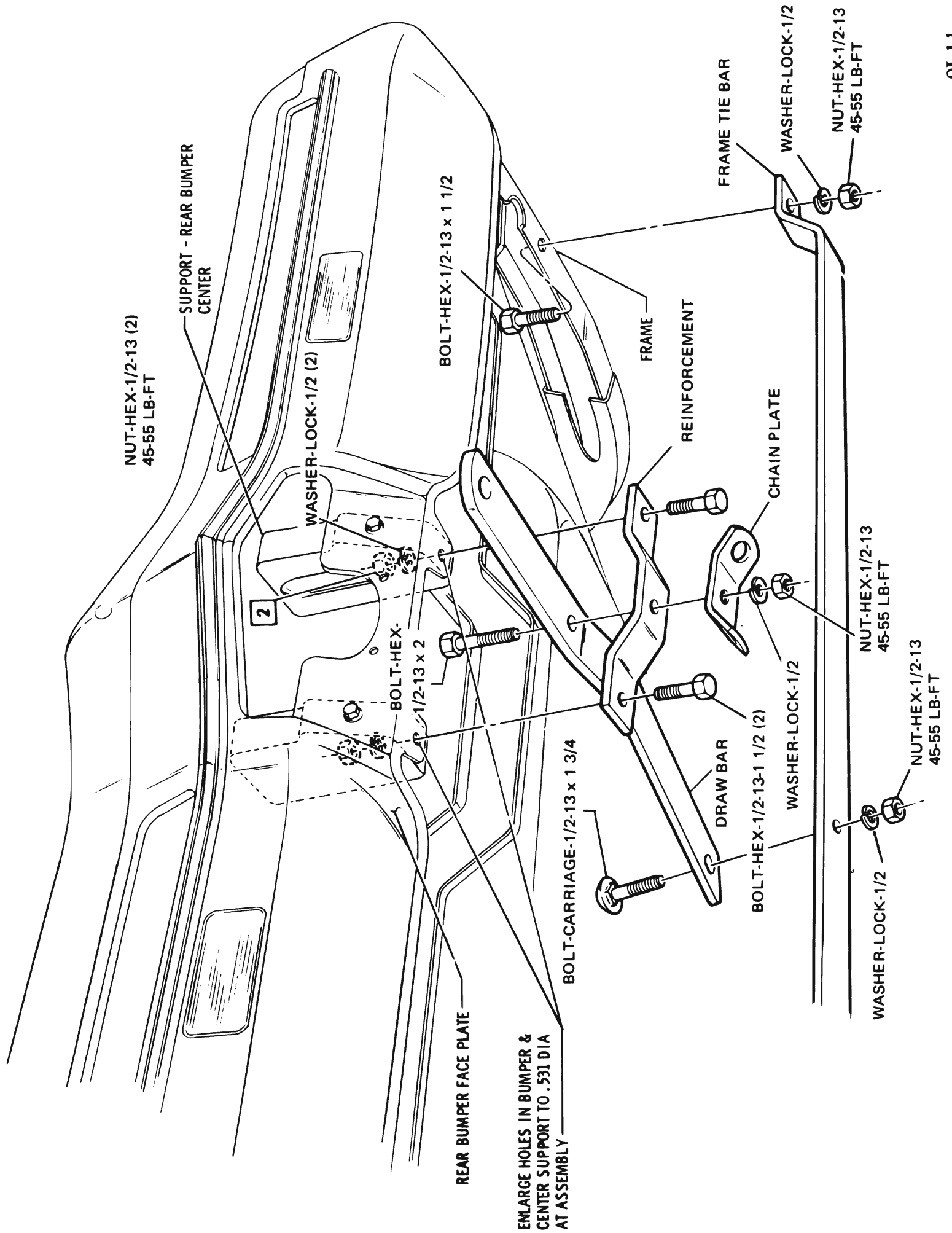


Figure 91-11 Trailer Hitch Assembly - "E" Series

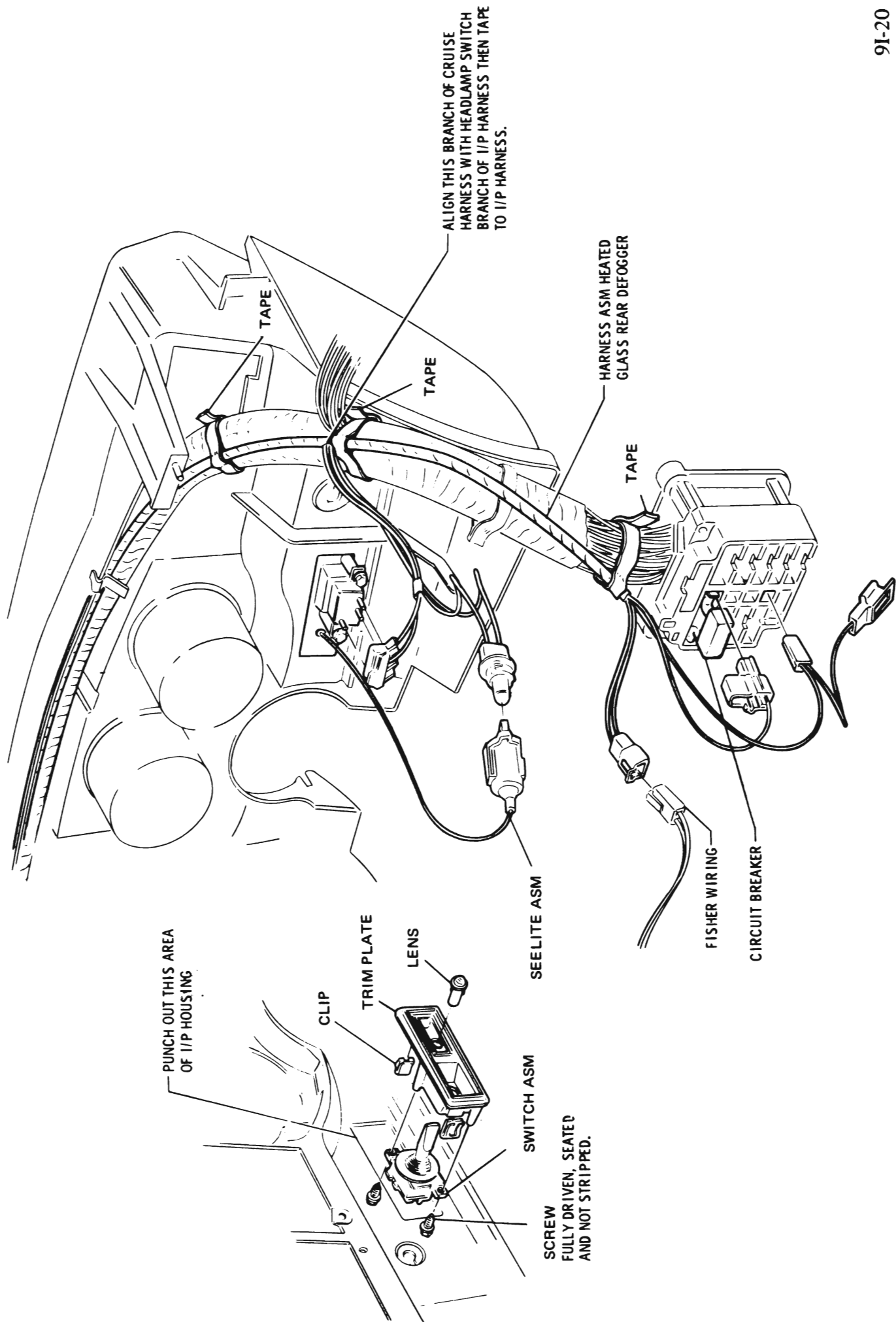
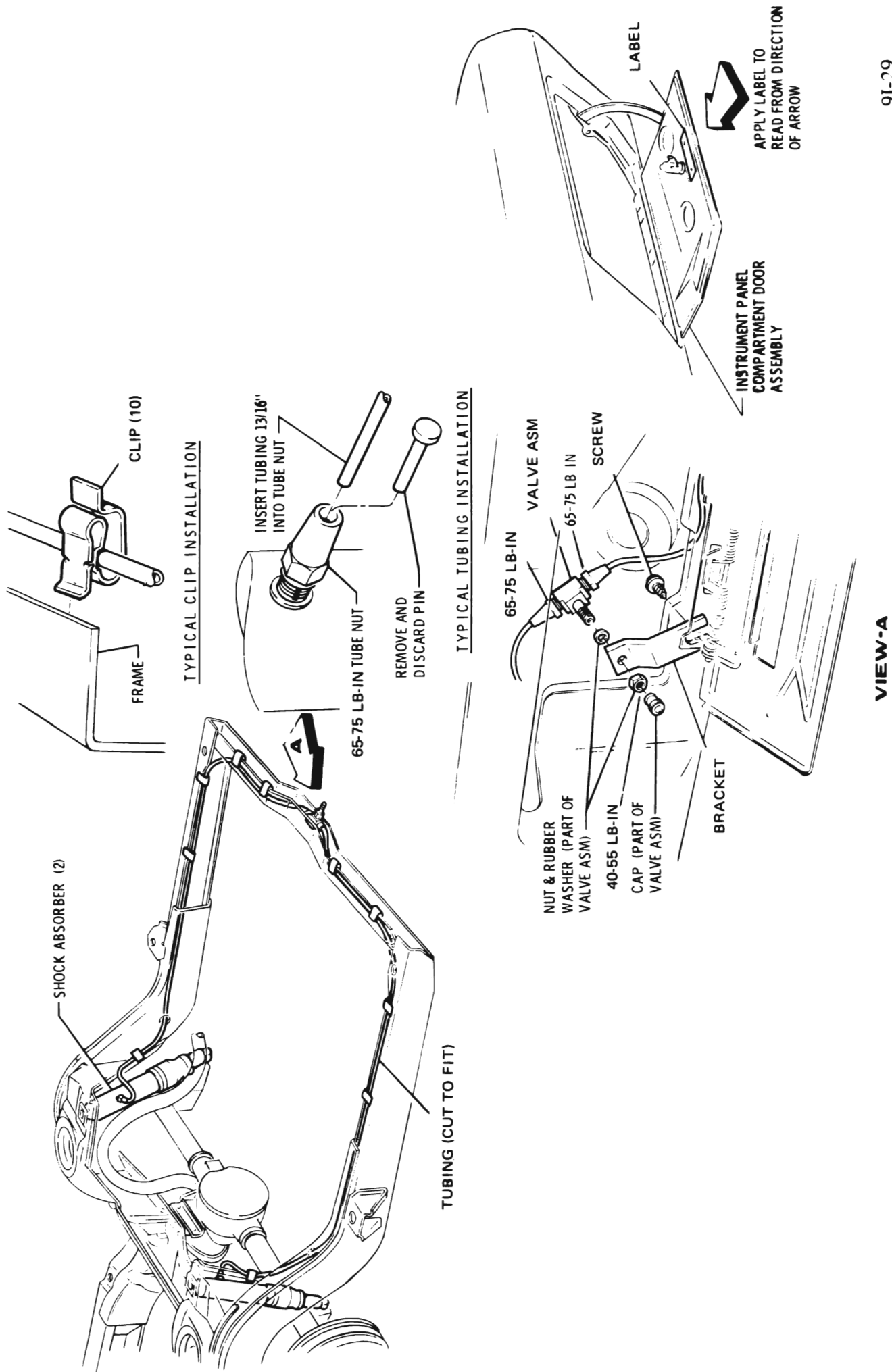


Figure 91-12 Heated Rear Glass - Wiring - "A" Series



91-29

VIEW-A

Figure 91-13 Shock Absorber - Superlift - Coupes and Sedans - "A" Series