

SECTION C

ACCESSORIES

ALL SERIES

CONTENTS

Division	Subject	Page No.
I	TROUBLE DIAGNOSIS: (Not Applicable)	
II	DESCRIPTION AND OPERATION: (Not Applicable)	
III	ADJUSTMENTS AND MINOR SERVICE: (Not Applicable)	
IV	REMOVAL AND INSTALLATION: Refer to Illustrations	150-12
V	OVERHAUL AND MAJOR SERVICE: (Not Applicable)	
VI	SPECIFICATIONS: (Not Applicable)	

Index of Illustrations

Figure	Caption
150-2	4L-4N-4R-4P-4U-4V-4Y Series Four-Note Horn
150-3	Utility Light Installation - All Series
150-4	Engine Block Heater - 4D-4F-4G-4H Series - 350 Engine
150-5	Engine Block Heater - 4D-4F-4G-4H Series - 455 Engine
150-6	Engine Block Heater - 4L-4N Series - 350 Engine
150-7	Engine Block Heater - 455 Engine
150-8	Trailer Hitch Assembly - 4D-4F-4G-4H Series
150-9	Trailer Hitch Assembly - Estate Wagon
150-10	Trailer Hitch Assembly - LeSabre and Centurion
150-11	Trailer Hitch Assembly - Electra
150-12	Trailer Hitch Assembly - Riviera
150-13	Trailer Harness Assembly - Sportwagon
150-14	Trailer Harness Assembly - Skylark Less Sportwagon
150-15	Trailer Harness Assembly - Estate Wagon
150-16	Trailer Harness Assembly - LeSabre, Centruion, Electra and Riviera
150-17	Rear Window Defogger - Skylark Less Sportwagon
150-18	Rear Window Defogger - LeSabre, Centurion and Electra Less Estate Wagon
150-19	Rear Window Defogger - Riviera
150-20	Typical Fender Mount Mirror Installation
150-21	Typical CB Radio Installation
150-22	Typical CB Cable Routing
150-23	Ski Carrier to Luggage Carrier Installation

150-24Roof Luggage Carrier Installation - Sportwagon and Estate Wagon
150-25Typical Compass Installation
150-26Typical Electric Trunk Release Switch Installation
150-27Typical Electric Trunk Release Wire Routing and Latch Installation
Decimal Equivalent Chart
Decimal Equivalents and Tap Drill Size Chart

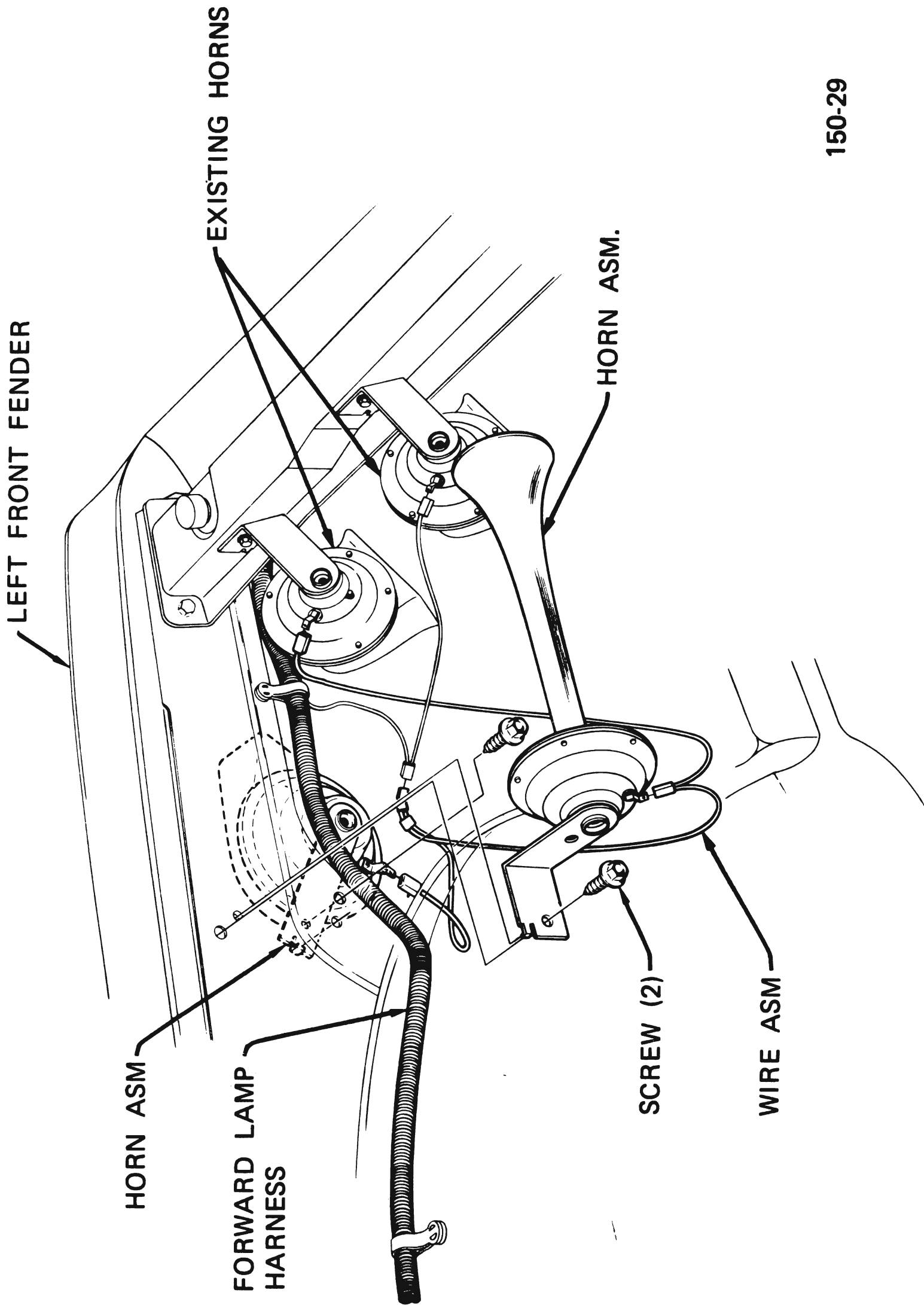
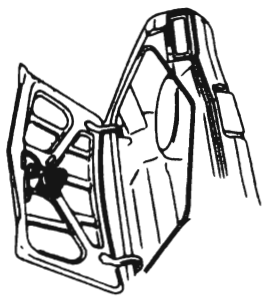


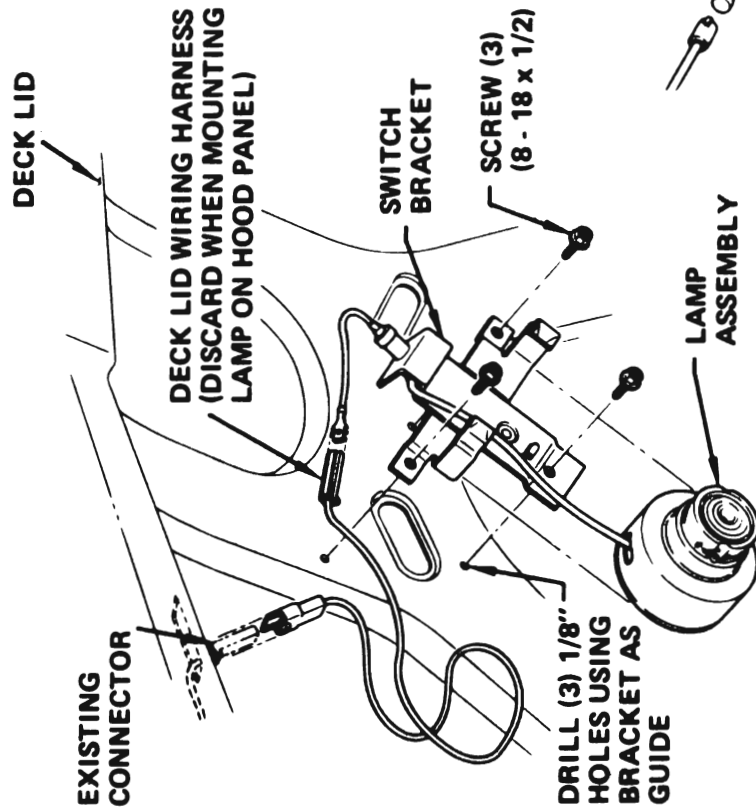
Figure 150-2 Four Note Horn - 4L-4N-4R-4P-4U-4V-4Y Series



**ALL SERIES THRU 1969
"A" BODY - 1970 - 1971**

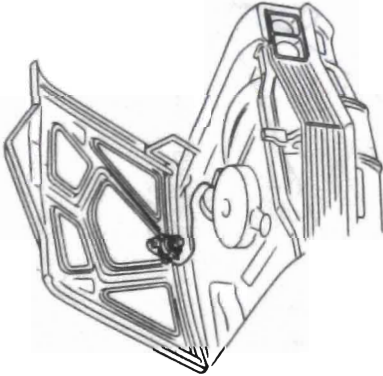
INSTALLATION INSTRUCTIONS (DECK LID)

INSTALL LAMP ASSEMBLY ON DECK LID IN AREA SHOWN ON ALL MODELS. DRILL 3 HOLES USING BRACKET AS GUIDE. SWITCH END OF BRACKET MUST BE POINTING TOWARD REAR OF CAR. USE WIRING HARNESS PROVIDED IN PACKAGE (HARN-ESS WITHOUT FUSE HOLDER). PLUG INTO EXIST-ING CONNECTOR AND INSERT EXCESS INTO HOLE IN REAR OF DECK LID.



TYPICAL INSTALLATION OF DECK LID LAMP

ALL SERIES - 1967 THRU 1970 EXCEPT
"A" BODY - 1970 - 1971



SKYLARK ONLY

NOTES:

FOR PROPER OPERATION, LAMP SHOULD TURN OFF WHEN DECK LID OR HOOD PANEL IS NOT LESS THAN 12 INCHES FROM THE CLOSED POSITION WHEN CAR IS ON LEVEL GROUND.

IF NECESSARY BEND SWITCH BRACKET (USING CAUTION) DOWNWARD TO RAISE LAMP TURN-OFF POINT AND UPWARD TO LOWER TURN-OFF POINT.

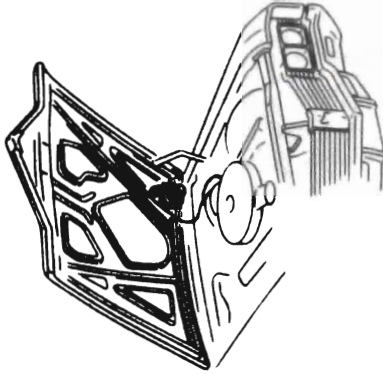
HOOD WIRING HARNESS
(DISCARD WHEN MOUNTING
LAMP ON DECK LID)

TAPE TO ENGINE
WIRING HARNESS
AS REQUIRED

1 1/4 - 5 AMP FUSE

FUSE HOLDER

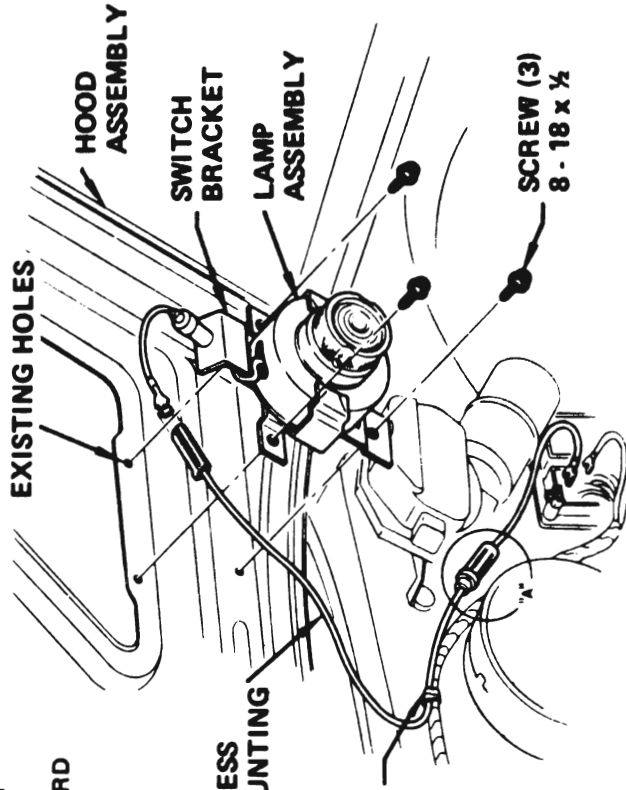
VIEW A



ALL LE SABRE, CENTURION, ELECTRA, RIVIERA

INSTALLATION INSTRUCTIONS (HOOD PANEL)

INSTALL LAMP ASSEMBLY ON HOOD PANELS IN AREA SHOWN, EXCEPT SPECIALS WHICH WILL BE LOCATED ON THE CENTER LINE OF THE HOOD. USE EXISTING HOLES. SWITCH END OF BRACKET MUST BE POINTING TOWARD FRONT OF CAR. USE WIRING HARNESS PROVIDED IN PACKAGE (HARN-ESS WITH FUSE HOLDER). ROUTE THROUGH WIRING CLIP AND PLUG INTO CONNECTION ON FUSE BLOCK BY LOOSENING SCREW, INSERTING TERMINAL AND RETIGHTENING SCREW. INSERT INTO FUSE HOLDER.



TYPICAL INSTALLATION OF HOOD PANEL LAMP

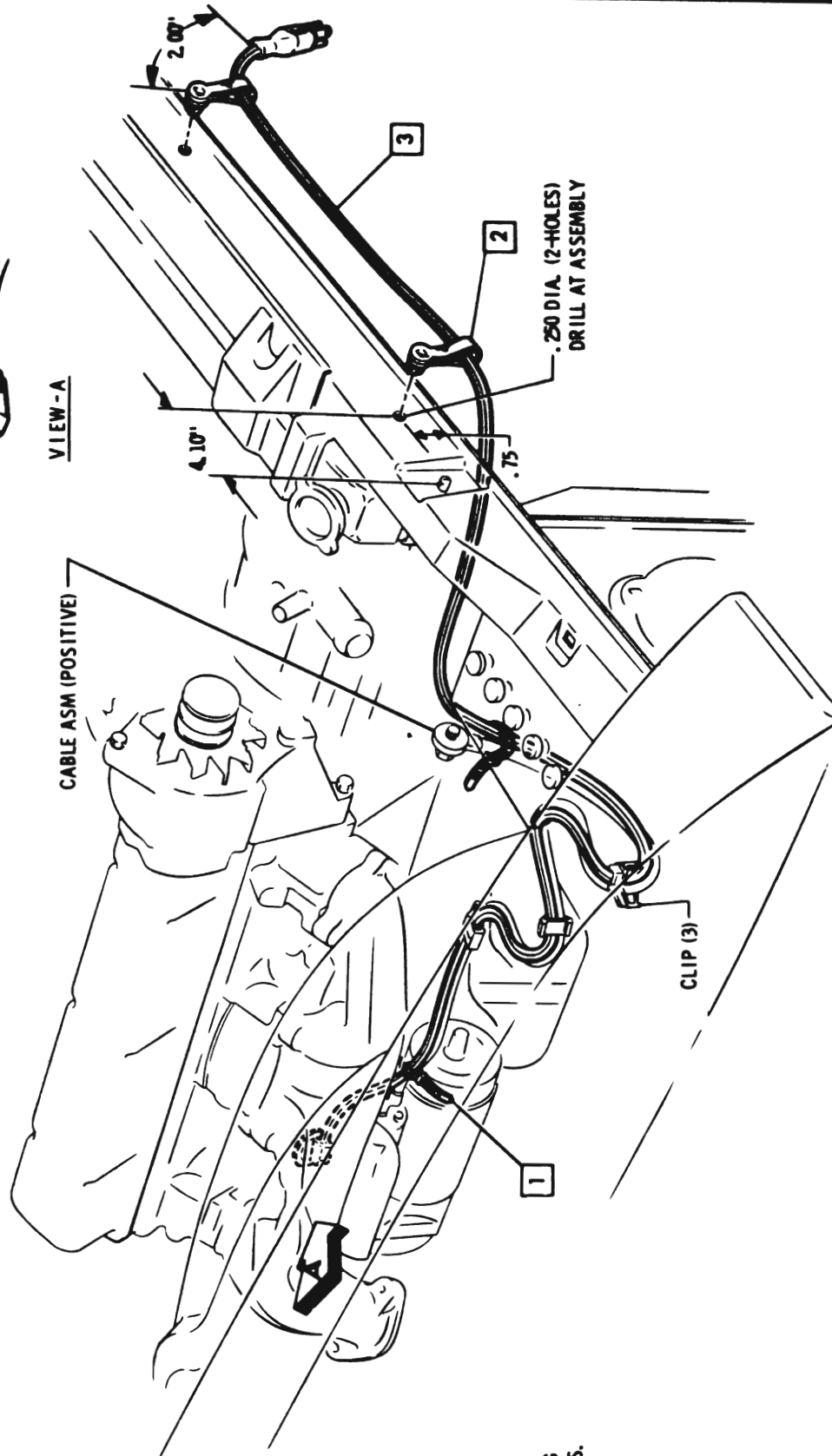
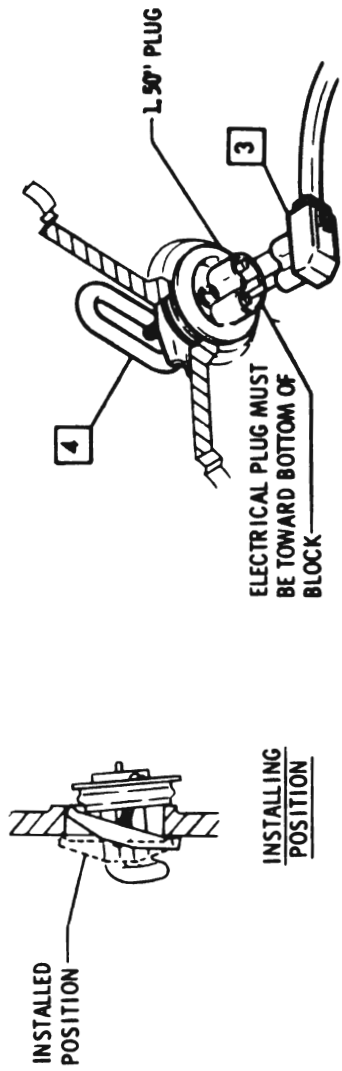
ALL LE SABRE, CENTURION, ELECTRA, RIVIERA
SKYLARK TYPICAL

FOR ALL MODELS PRIOR TO 1968
(FOR 1968 - 1971)

160-67

Figure 150-3 Utility Light Installation - All Series

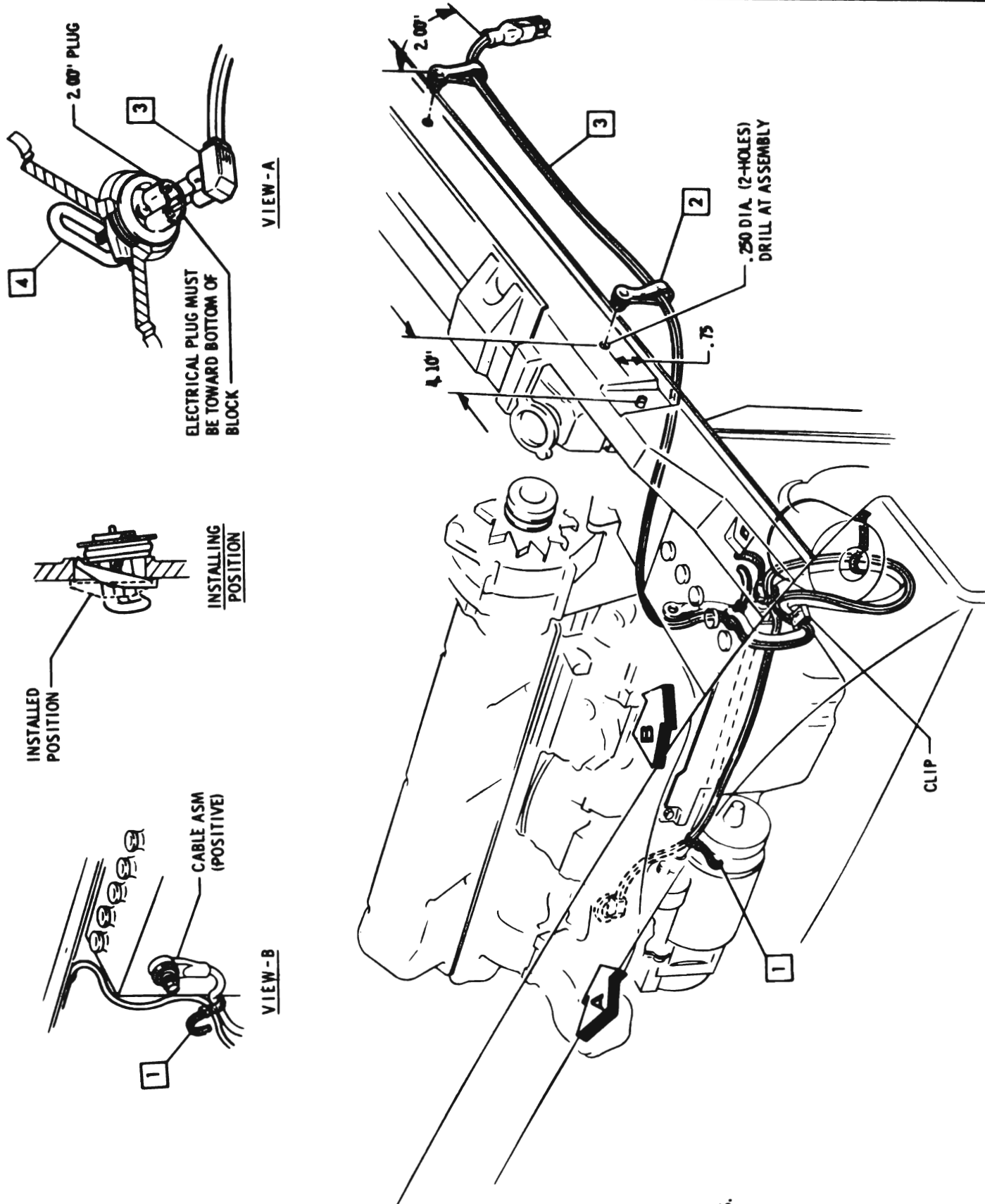
- 1 - STA-STRAP (2)
- 2 - RETAINER (2)
- 3 - CORD ASM.
- 4 - HEATER ASM.



REMOVE STARTER.
 REMOVE RIGHT REAR FROST PLUG CAREFULLY (DO NOT SCORE MACHINED SURFACE OF HOLE).
 THOROUGHLY CLEAN FROST PLUG HOLE, REMOVING ANY BURRS, COMPOUND, PAINT OR ROUGH SPOTS.
 APPLY A COATING OF GREASE TO "O" RING & MACHINED SURFACE OF HOLE.
 INSTALL HEATER ASSEMBLY.
 REINSTALL STARTER.



Figure 150-4 Engine Block Heater - 4D-4F-4G-4H Series - 350 Engine

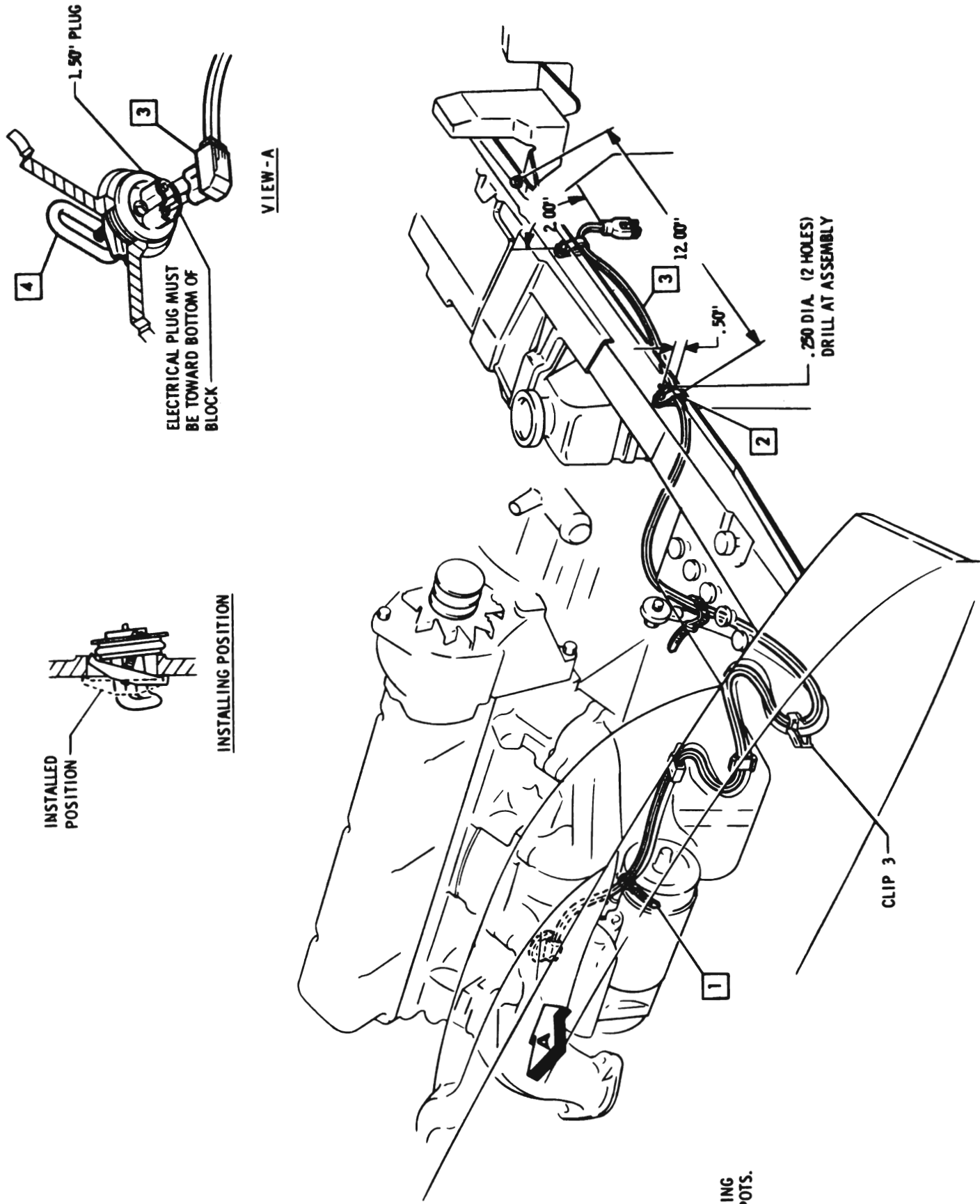


150-40A

- 1 - STA-STRAP (4)
- 2 - RETAINER (2)
- 3 - CORD ASM.
- 4 - HEATER ASM.

REMOVE STARTER.
 REMOVE RIGHT REAR FROST PLUG CAREFULLY (DO NOT SCORE MACHINED SURFACE OF HOLE).
 THOROUGHLY CLEAN FROST PLUG HOLE, REMOVING ANY BURRS, COMPOUND, PAINT OR ROUGH SPOTS.
 APPLY A COATING OF GREASE TO "O" RING & MACHINED SURFACE OF HOLE.
 INSTALL HEATER ASSEMBLY.
 REINSTALL STARTER.

Figure 150-5 4D-4F-4G-4H - Engine Block Heater - 455 Engine



- 1 - STA-STRAP (2)
- 2 - RETAINER (2)
- 3 - CORD ASM.
- 4 - HEATER ASM.

REMOVE STARTER.

REMOVE RIGHT REAR FROST PLUG CAREFULLY (DO NOT SCORE MACHINED SURFACE OF HOLE).

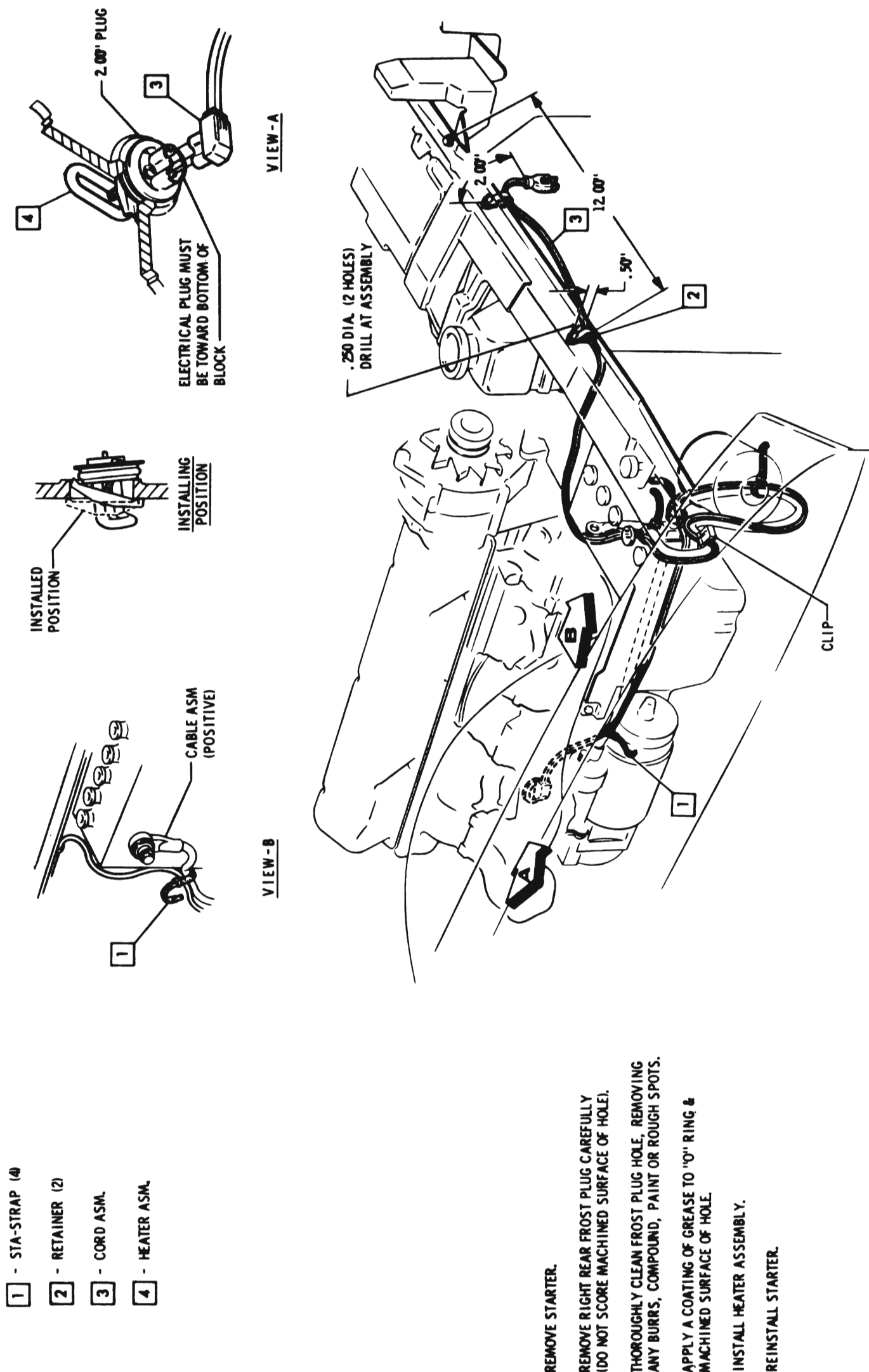
THOROUGHLY CLEAN FROST PLUG HOLE, REMOVING ANY BURRS, COMPOUND, PAINT OR ROUGH SPOTS.

APPLY A COATING OF GREASE TO 'O' RING & MACHINED SURFACE OF HOLE.

INSTALL HEATER ASSEMBLY.

REINSTALL STARTER.

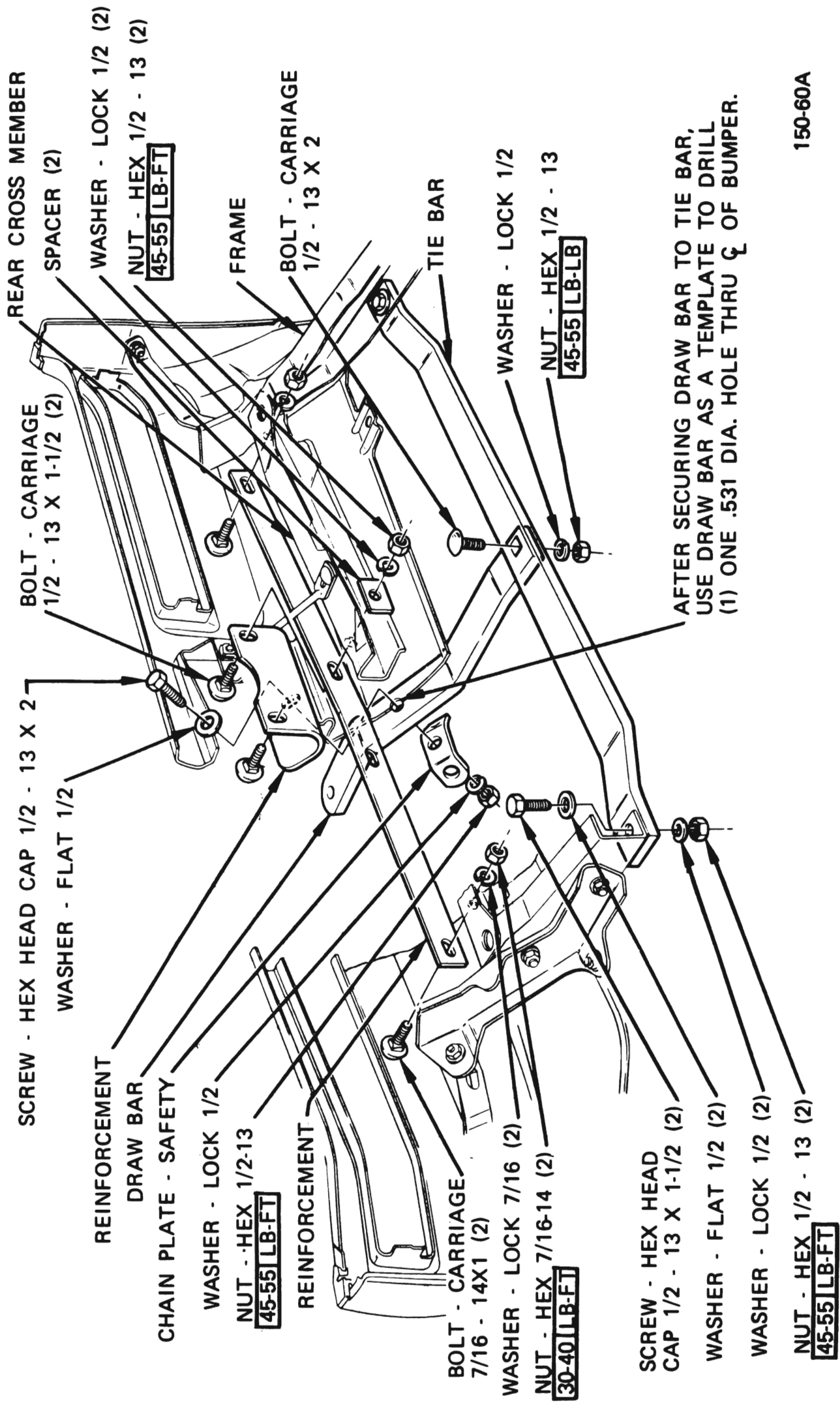
Figure 150-6 4L-4N - Engine Block Heater - 350 Engine



- 1 - STA-STRAP (4)
- 2 - RETAINER (2)
- 3 - CORD ASM.
- 4 - HEATER ASM.

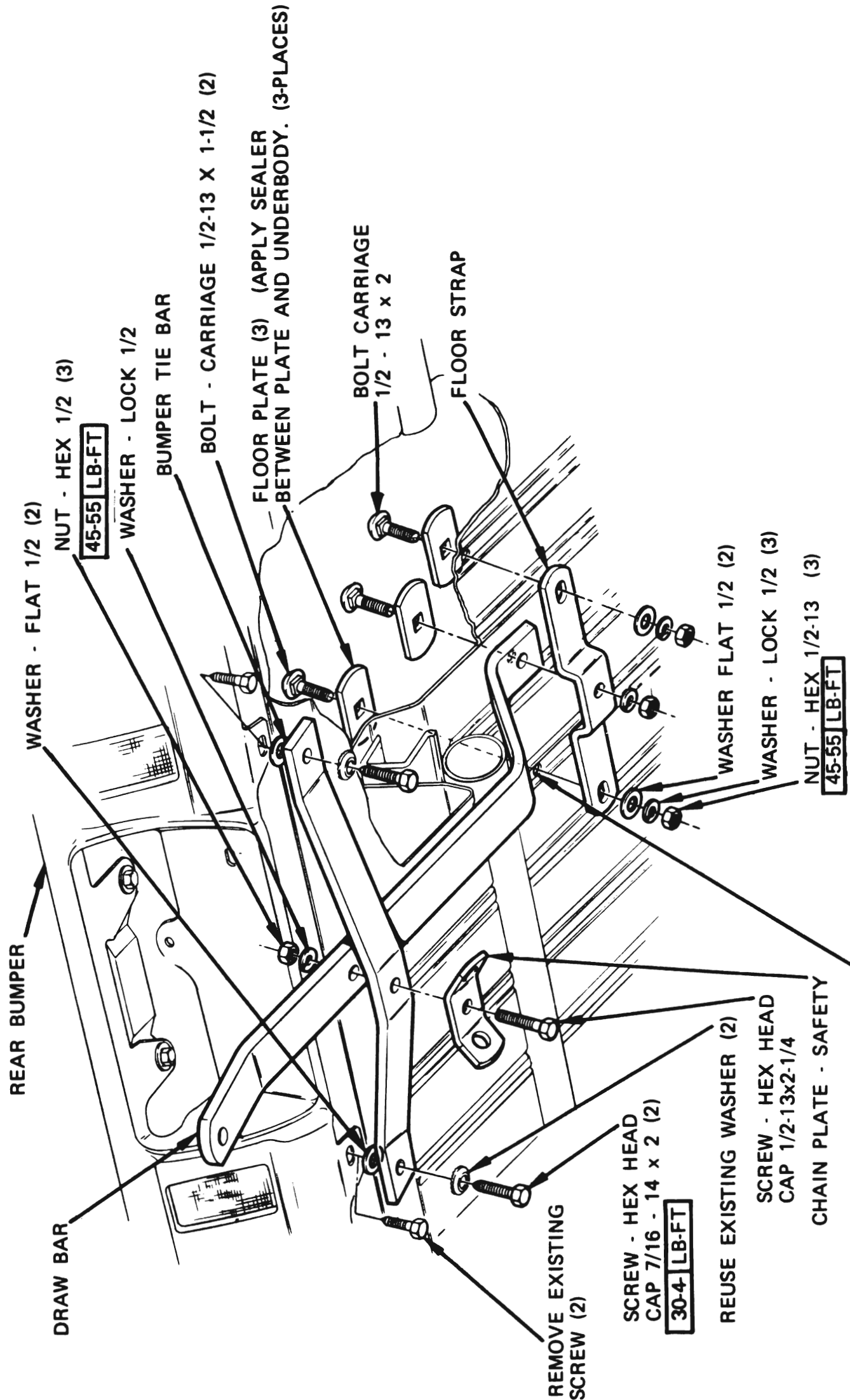
REMOVE STARTER.
 REMOVE RIGHT REAR FROST PLUG CAREFULLY (DO NOT SCORE MACHINED SURFACE OF HOLE).
 THOROUGHLY CLEAN FROST PLUG HOLE, REMOVING ANY BURRS, COMPOUND, PAINT OR ROUGH SPOTS.
 APPLY A COATING OF GREASE TO "O" RING & MACHINED SURFACE OF HOLE.
 INSTALL HEATER ASSEMBLY.
 REINSTALL STARTER.

Figure 150-7 4L-4N-4R-4P-4U-4V-4Y - Engine Block Heater - 455 Engine



150-60A

Figure 150-8 Trailer Hitch Assembly - 4D-4F-4G-4H



AFTER SECURING FLOOR STRIP TO DRAW BAR, USE FLOOR STRAP AS A TEMPLATE TO DRILL (3) THREE .531 DIA. HOLES IN UNDERBODY

150-62A

Figure 150-9 Trailer Hitch Assembly - Estate Wagon

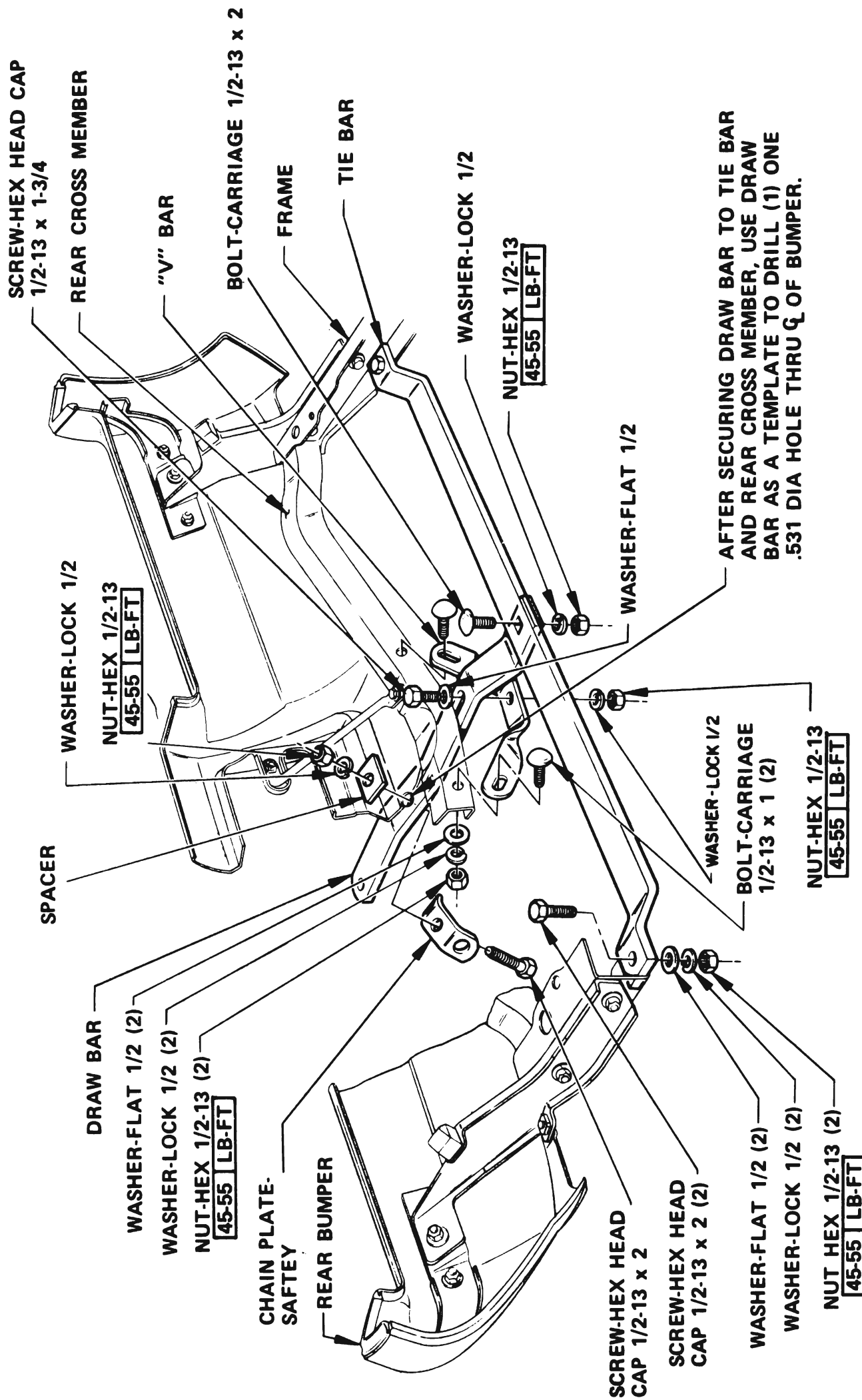


Figure 150-10 Trailer Hitch Assembly - LeSabre and Centurion

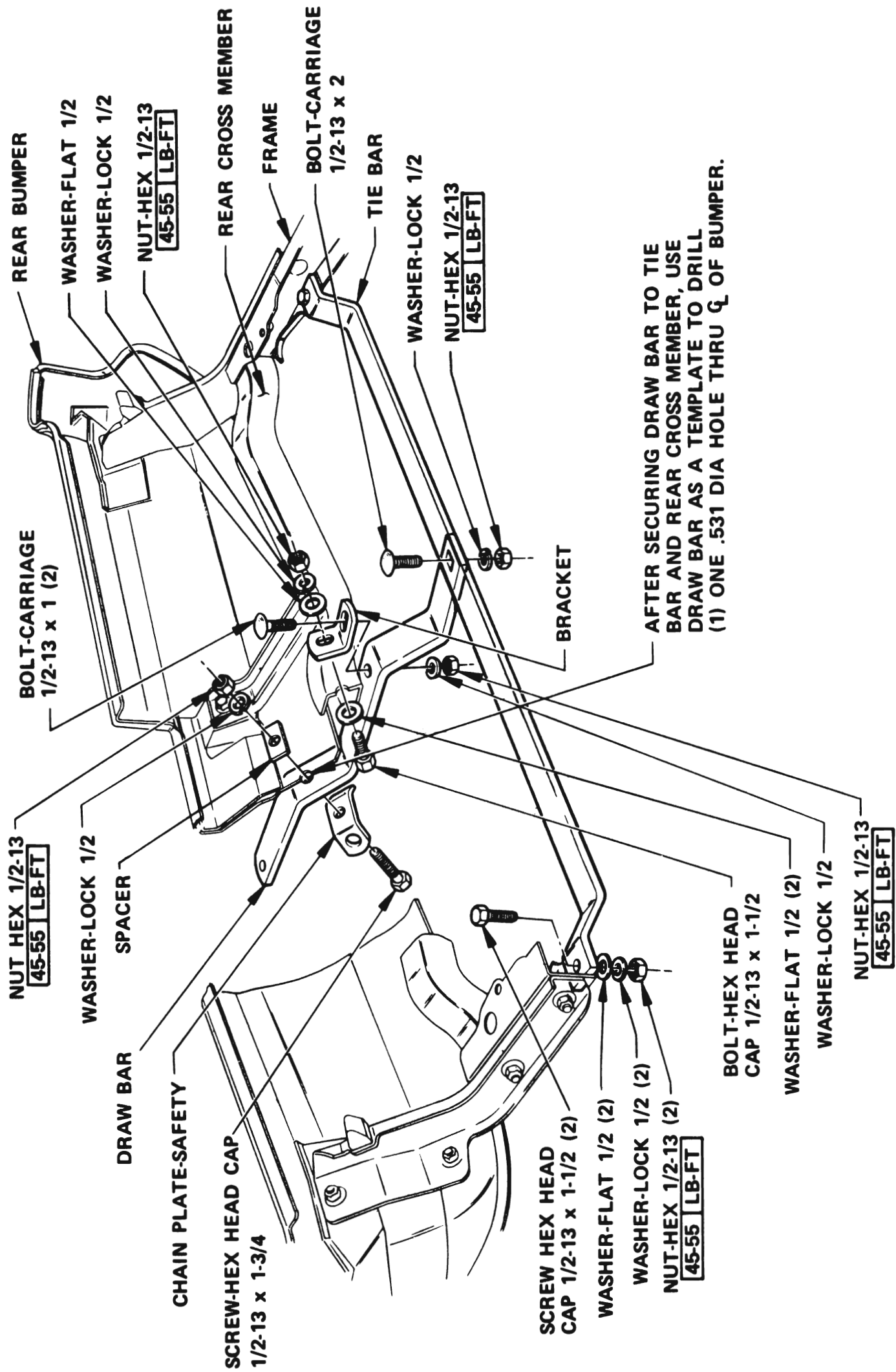


Figure 150-11 Trailer Hitch Assembly - Electra

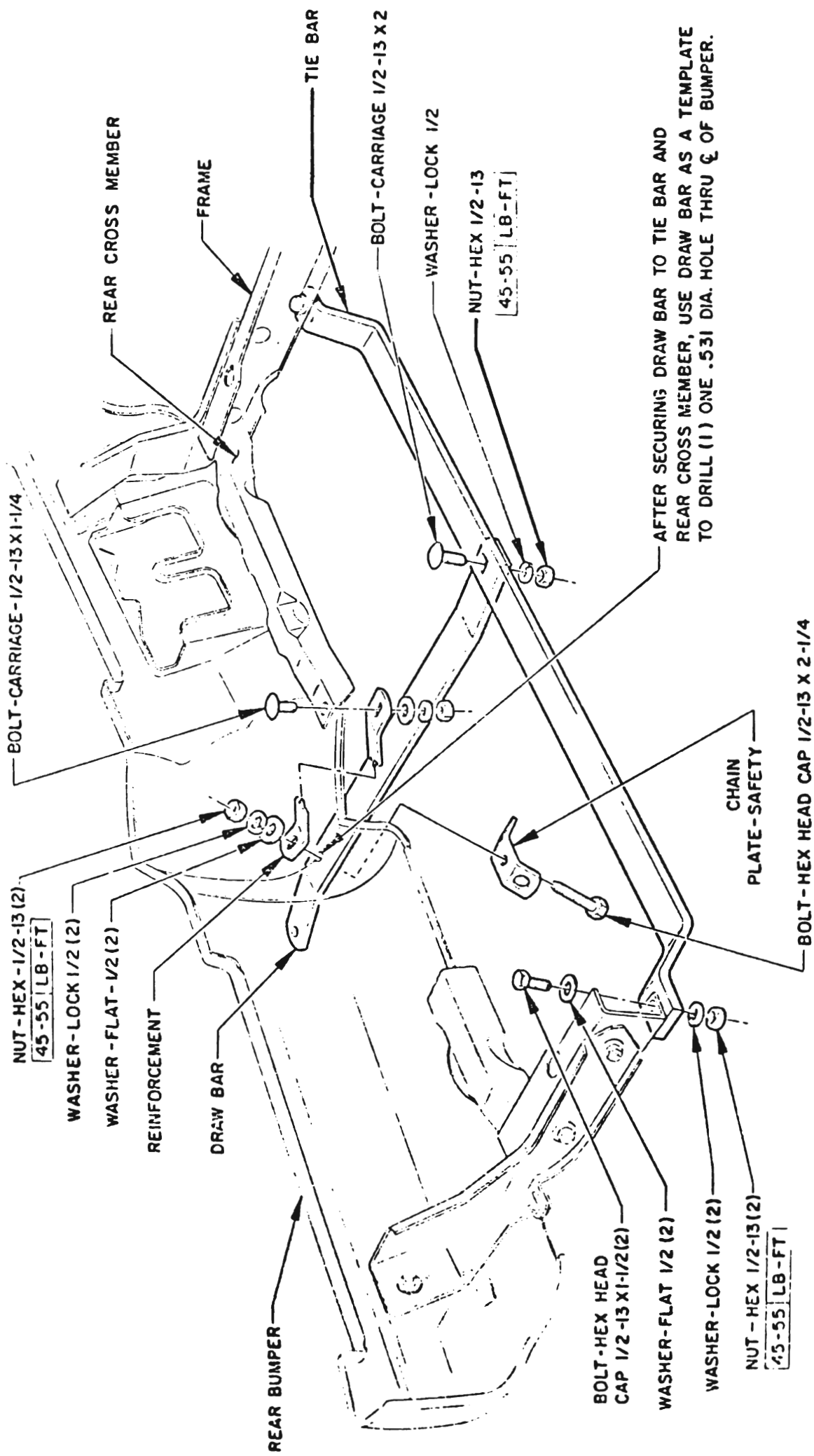


Figure 150-12 Trailer Hitch Assembly - Riviera

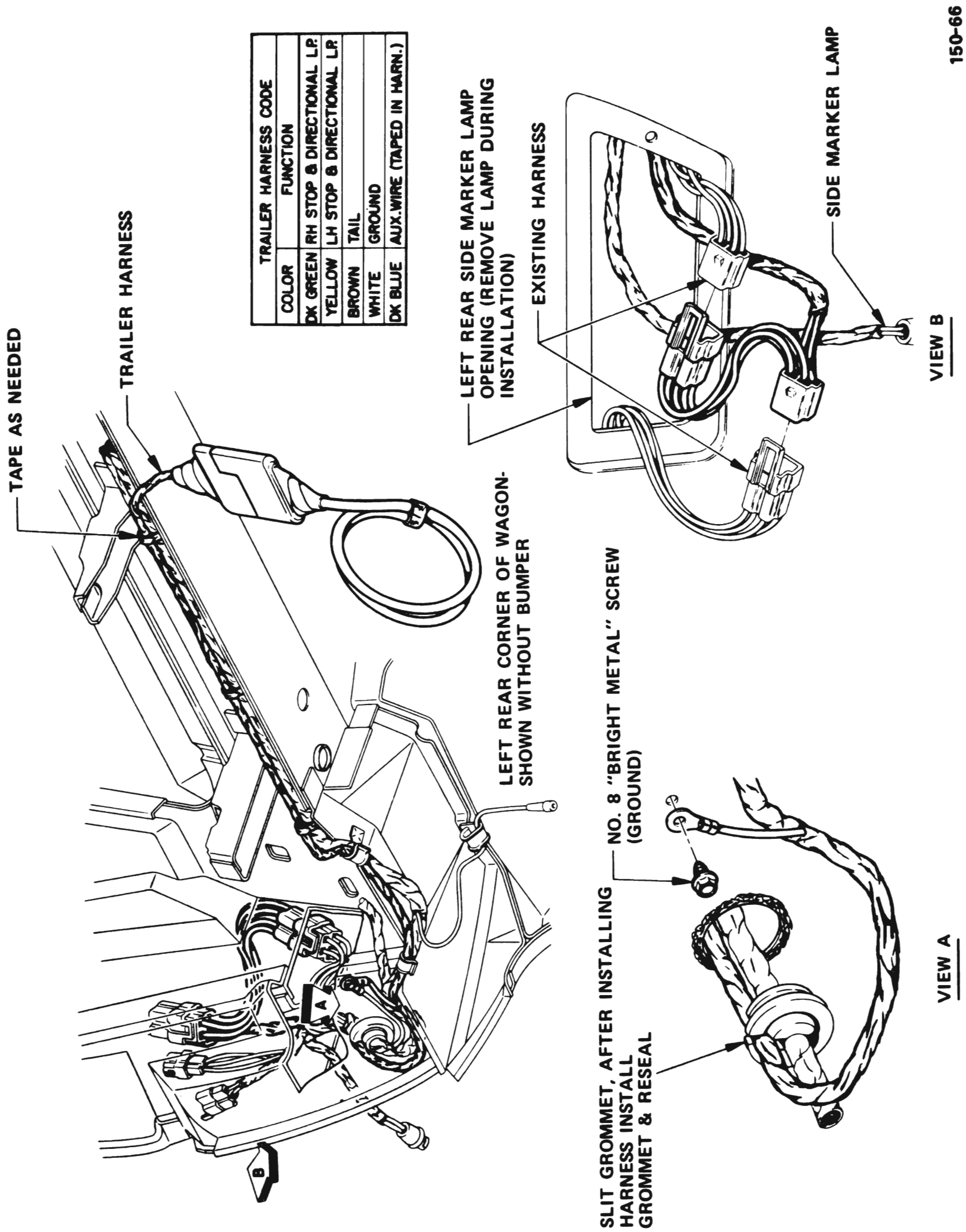
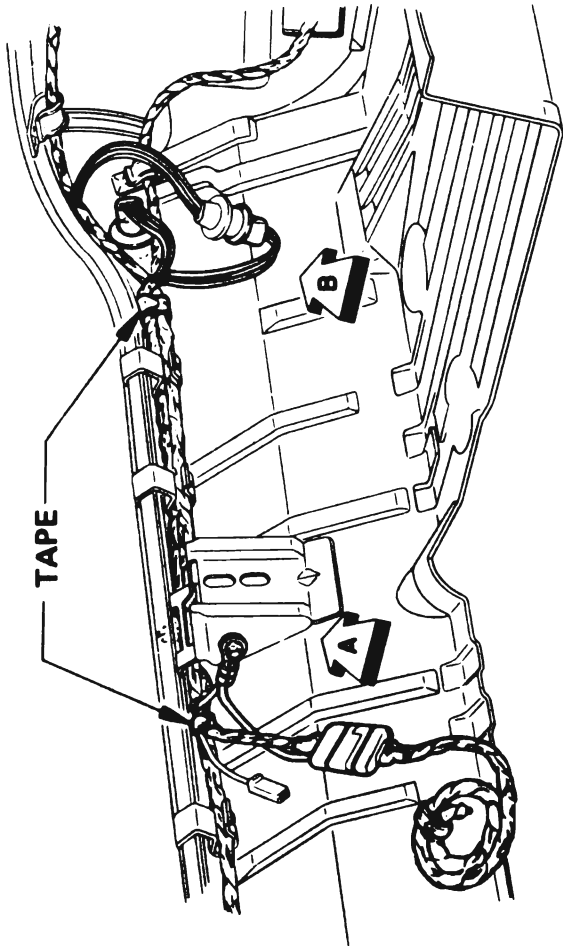
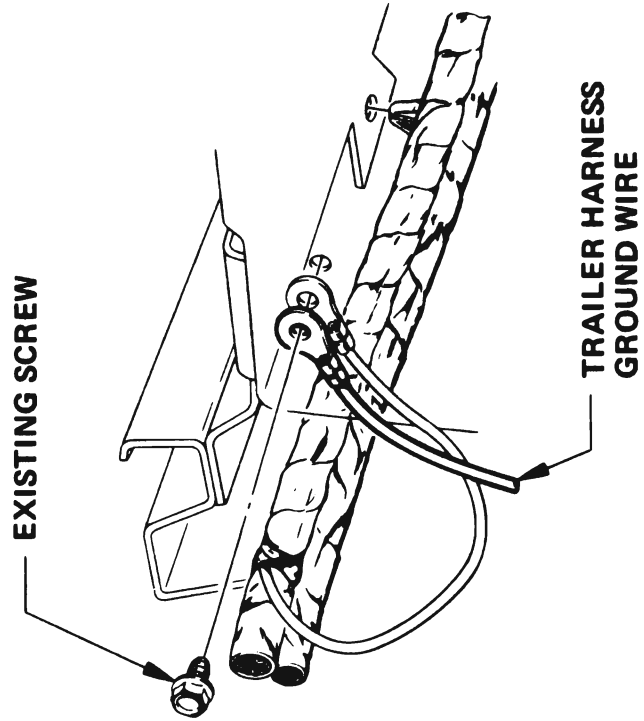


Figure 150-13 Trailer Harness Assembly - Sportwagon

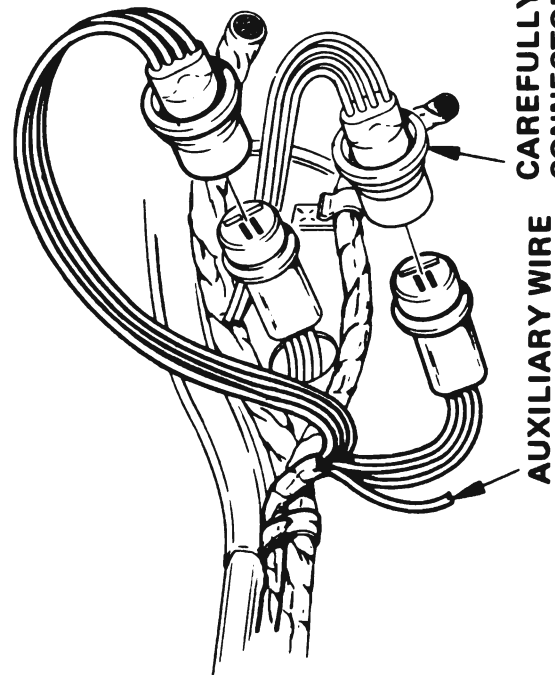
TRAILER HARNESS CODE	
COLOR	FUNCTION
DK GREEN	RH STOP & DIRECTIONAL LAMP
YELLOW	LH STOP & DIRECTIONAL LAMP
BROWN	TAIL
WHITE	GROUND
DK BLUE	AUX. WIRE (TAPED IN HARNESS)



LEFT SIDE OF TRUNK



VIEW A



VIEW B

CAREFULLY REMOVE EXISTING HARNESS CONNECTOR FROM BODY. DISCONNECT BUMPER HARNESS FROM BODY HARNESS. CONNECT TRAILER HARNESS AS SHOWN & REINSTALL CONNECTOR INTO BODY.

Figure 150-14 Trailer Harness Assembly - Skylark Less Sportwagon

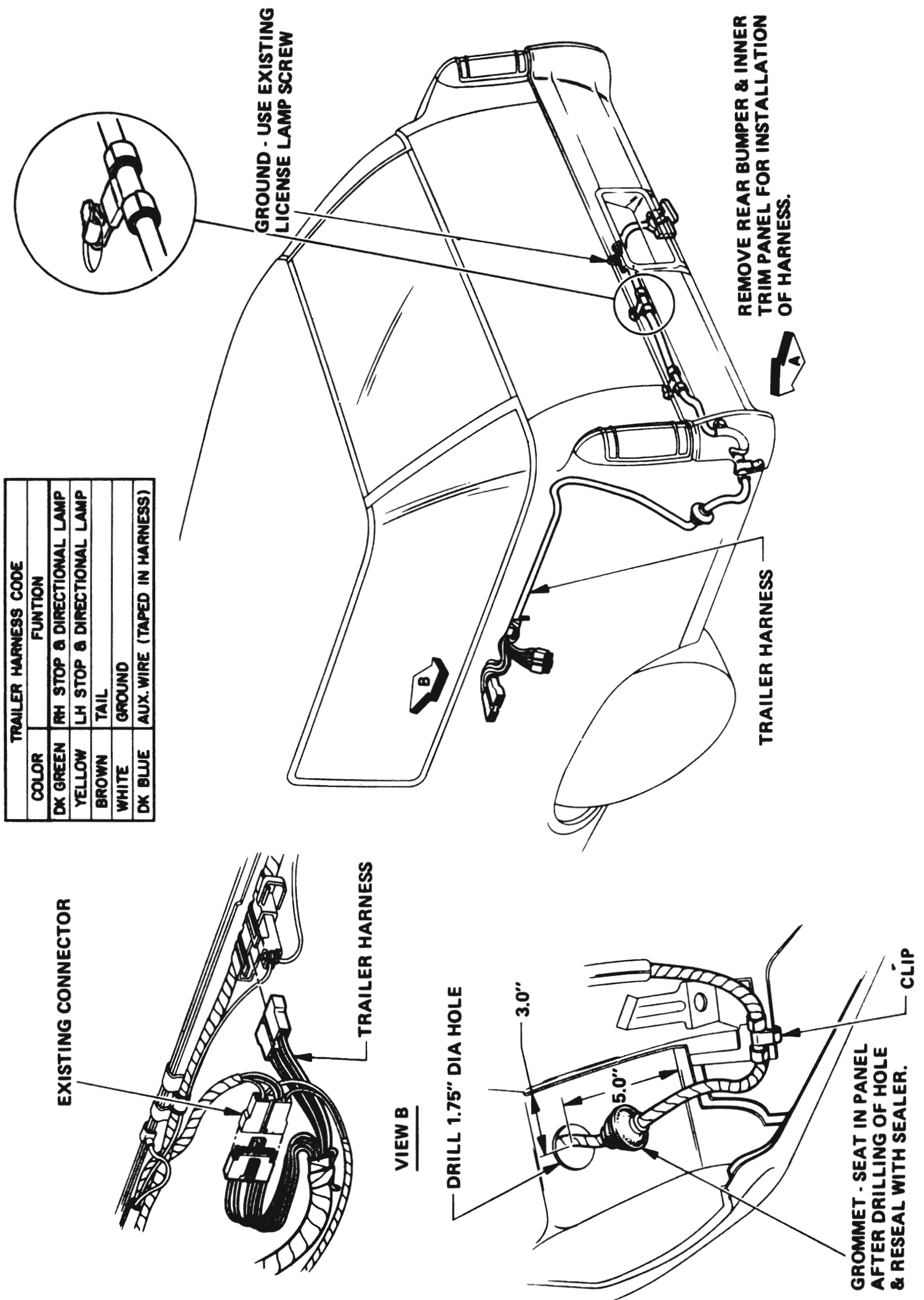


Figure 150-15 Trailer Harness Assembly - Estate Wagon

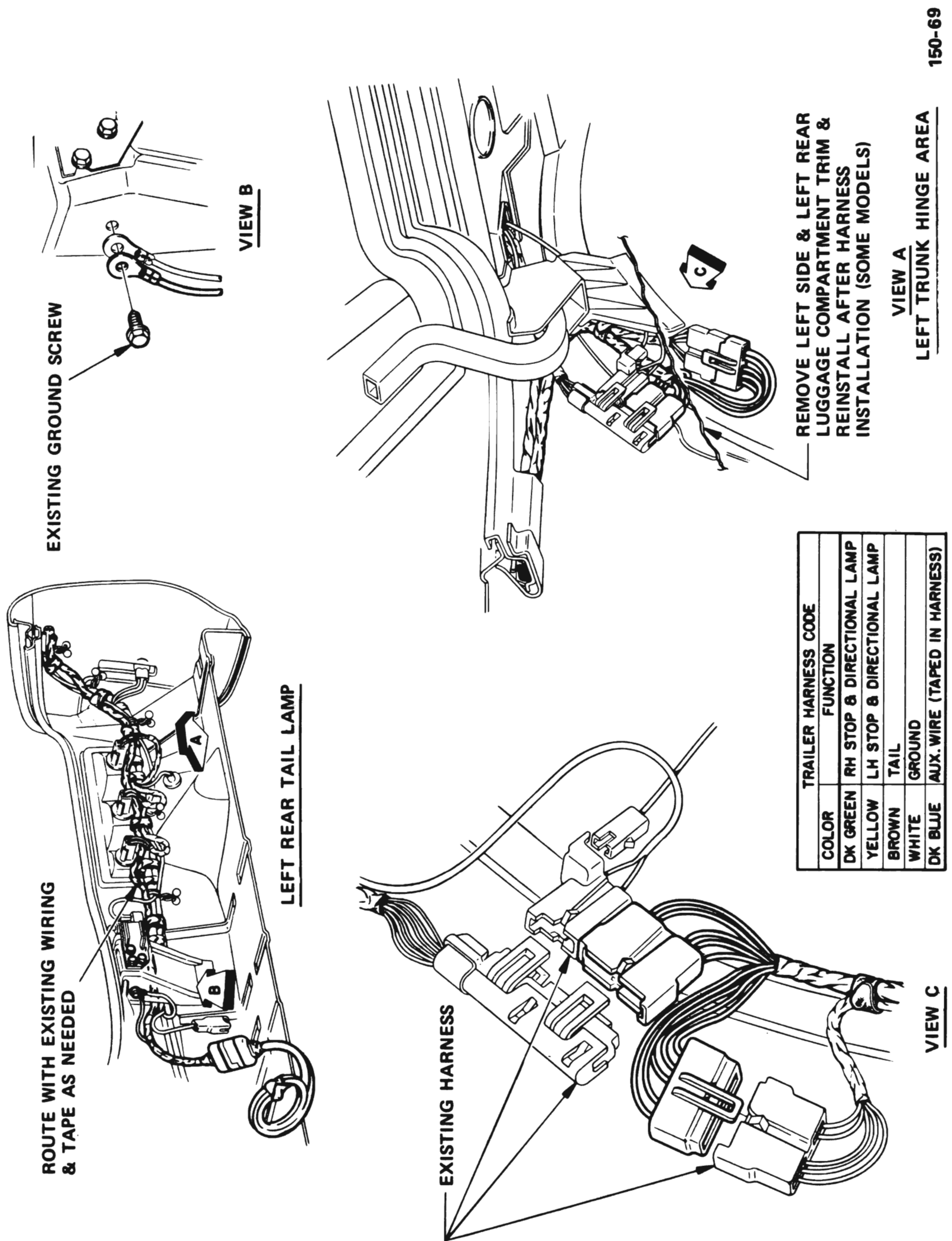
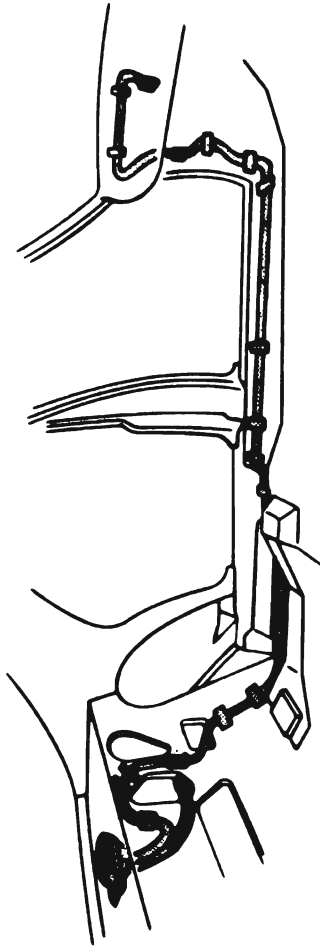
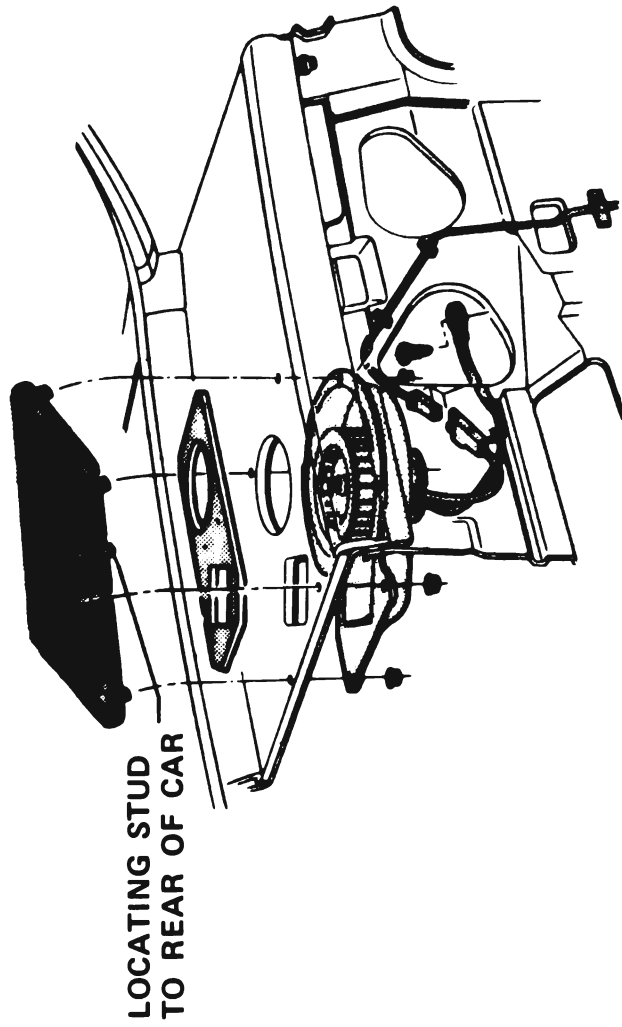


Figure 150-16 Trailer Harness Assembly - LeSabre, Centruion, Electra, and Riviera

INSTRUCTION SHEET - BACK WINDOW DEFOGGER

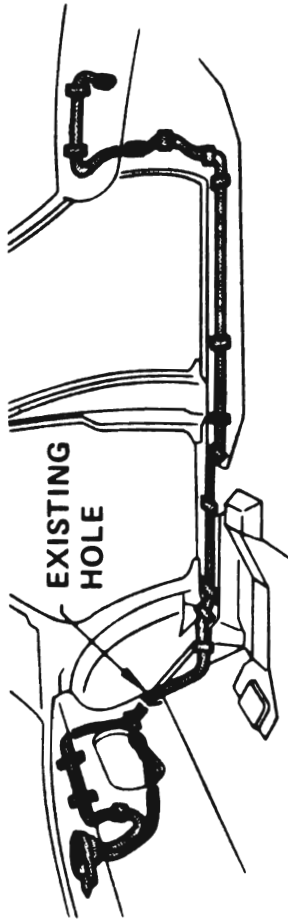
- STEP 1.** REMOVE NECESSARY TRIM AND ROUTE DEFOGGER WIRE ON DRIVER'S SIDE AS SHOWN AND TAPE AS REQUIRED.
- STEP 2.** USE EXISTING 1/4" HOLES IN PANEL AS GUIDE AND DRILL FOUR (4) HOLES IN TRIM.
- STEP 3.** USE EXISTING CUT-OUTS IN PANEL AS GUIDE AND CUT TRIM AS REQUIRED FOR DEFOGGER OPENINGS.
- STEP 4.** INSTALL GRILLE WITH LOCATING STUD REARWARD TO MAKE IMPRESSION IN TRIM. REMOVE GRILLE AND DRILL HOLE FOR LOCATING STUD.
- STEP 5.** INSTALL GRILLE, COVER, AND BLOWER WITH FOUR (4) NUTS AS SHOWN.
- STEP 6.** CONNECT TO HARNESS AS SHOWN. ATTACH GROUND WIRE CLIP FOR BLOWER TO EDGE OF HOLE IN SEAT BACK PANEL.



LOCATING STUD
TO REAR OF CAR

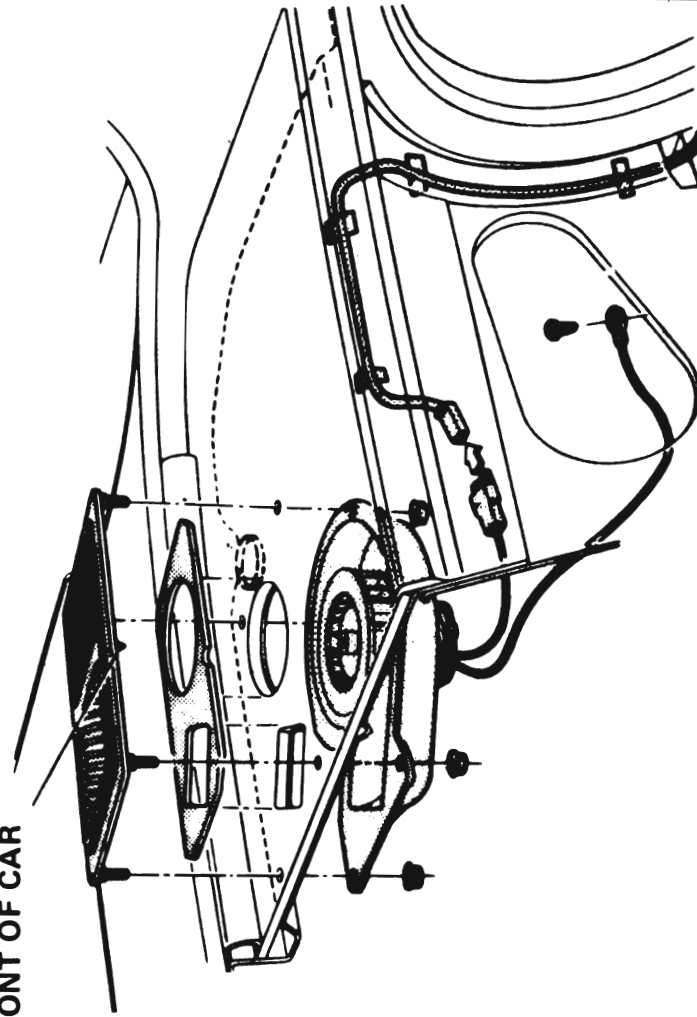
Figure 150-17 Rear Window Defogger - Skylark Less Sportwagon

INSTRUCTION SHEET - BACK WINDOW DEFOGGER



- STEP 1.** REMOVE NECESSARY TRIM AND ROUTE DEFOGGER WIRE ON DRIVER'S SIDE AS SHOWN AND TAPE AS REQUIRED.
- STEP 2.** USE EXISTING 1/4" HOLES IN PANEL AS GUIDE AND DRILL FOUR (4) HOLES IN TRIM.
- STEP 3.** USE EXISTING CUT-OUTS IN PANEL AS GUIDES AND CUT TRIM AS REQUIRED FOR DEFOGGER OPENINGS.
- STEP 4.** INSTALL GRILLE TO MAKE IMPRESSION IN TRIM. REMOVE GRILLE AND DRILL HOLE FOR LOCATING STUD.
- STEP 5.** INSTALL GRILLE, COVER, AND BLOWER WITH FOUR (4) NUTS AS SHOWN.
- STEP 6.** CONNECT TO HARNESS AS SHOWN. ATTACH GROUND WIRE CLIP FOR BLOWER TO EDGE OF HOLE IN SEAT BACK PANEL.

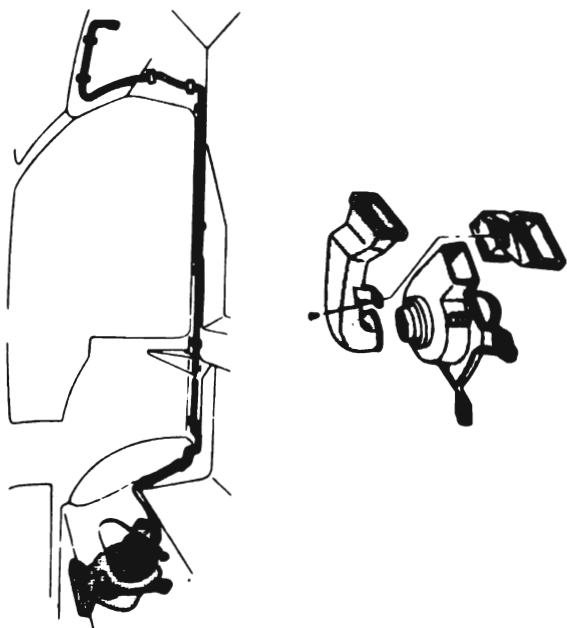
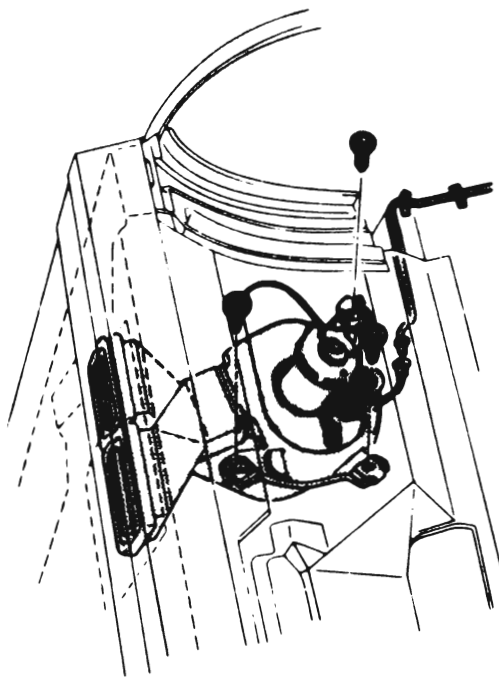
LOCATING STUD
TO FRONT OF CAR



150-71

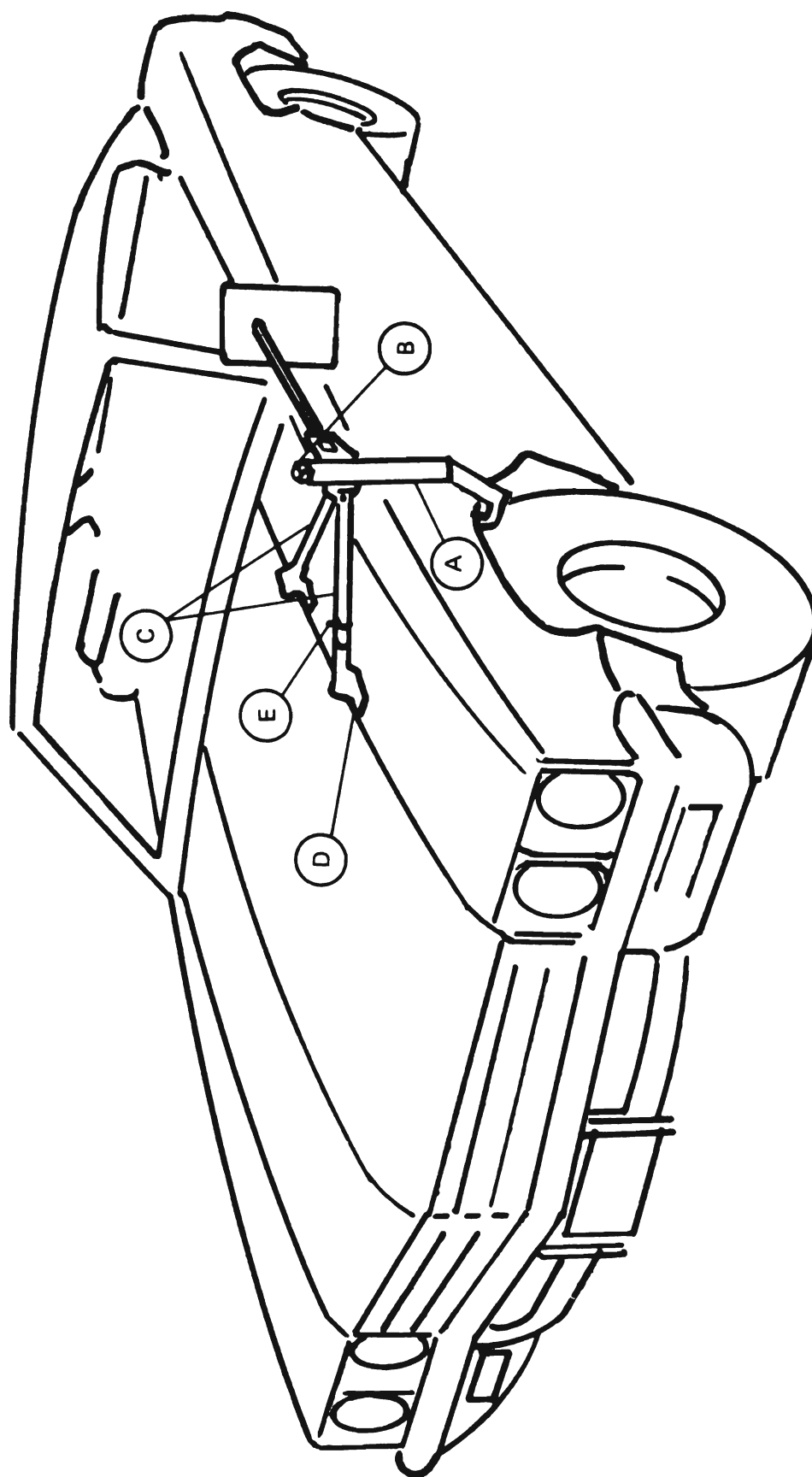
Figure 150-18 Rear Window Defogger - LeSabre, Centurion, and Electra, Less Estate Wagon

RIVIERA ONLY
INSTRUCTION SHEET - BACK WINDOW DEFOGGER



- STEP 1. REMOVE NECESSARY TRIM, ROUTE DEFOGGER WIRE ON DRIVER'S SIDE AS SHOWN AND TAPE AS REQUIRED.**
- STEP 2. ASSEMBLE DUCT AND NOZZLE TO BLOWER WITH ONE (1) SCREW AS SHOWN.**
- STEP 3. INSERT BLOWER ASSEMBLY THROUGH HOLE IN SHELF AND ALIGN WITH THREE (3) EXISTING SLOTS.**
- STEP 4. SECURE BLOWER ASSEMBLY WITH THREE (3) SCREWS AS SHOWN.**
- STEP 5. CONNECT TO HARNESS AS SHOWN. ATTACH GROUND WIRE CLIP FOR BLOWER TO EDGE OF HOLE IN SEAT BACK PANEL.**

Figure 150-19 Rear Window Defogger - Riviera



Unfold arms of tripod and assemble mirror for either left or right hand installation.

- 1 — Free hook tube assembly (A) by turning hex bolt (B) counterclockwise.
- 2 — Attach hook tube at center of fender well, making sure it is parallel to fender or angled towards fender. **(NEVER ALLOW THIS TUBE TO ANGLE AWAY FROM FENDER.** Adjust length of telescoping locking tubes (C), keeping them as short and equal in length as possible. Tubes must be either horizontal or angled up from fender. **(NEVER ANGLED DOWN TO THE FENDER).** It is important that anchor brackets (D) lie flat on top of fender before closing hood.
- 3 — Tighten square head set screws (E) in telescoping locking tube collars.
Before driving, adjust mirror height and angle for best visibility. Check all bolts and nuts to make certain that mirror has been securely mounted.
To remove mirror for storage, just loosen center hex bolt until anchor brackets can be lifted out of hood opening. Fold all arms toward center tube and store.

Figure 150-20 Typical Fender Mount Mirror Installation

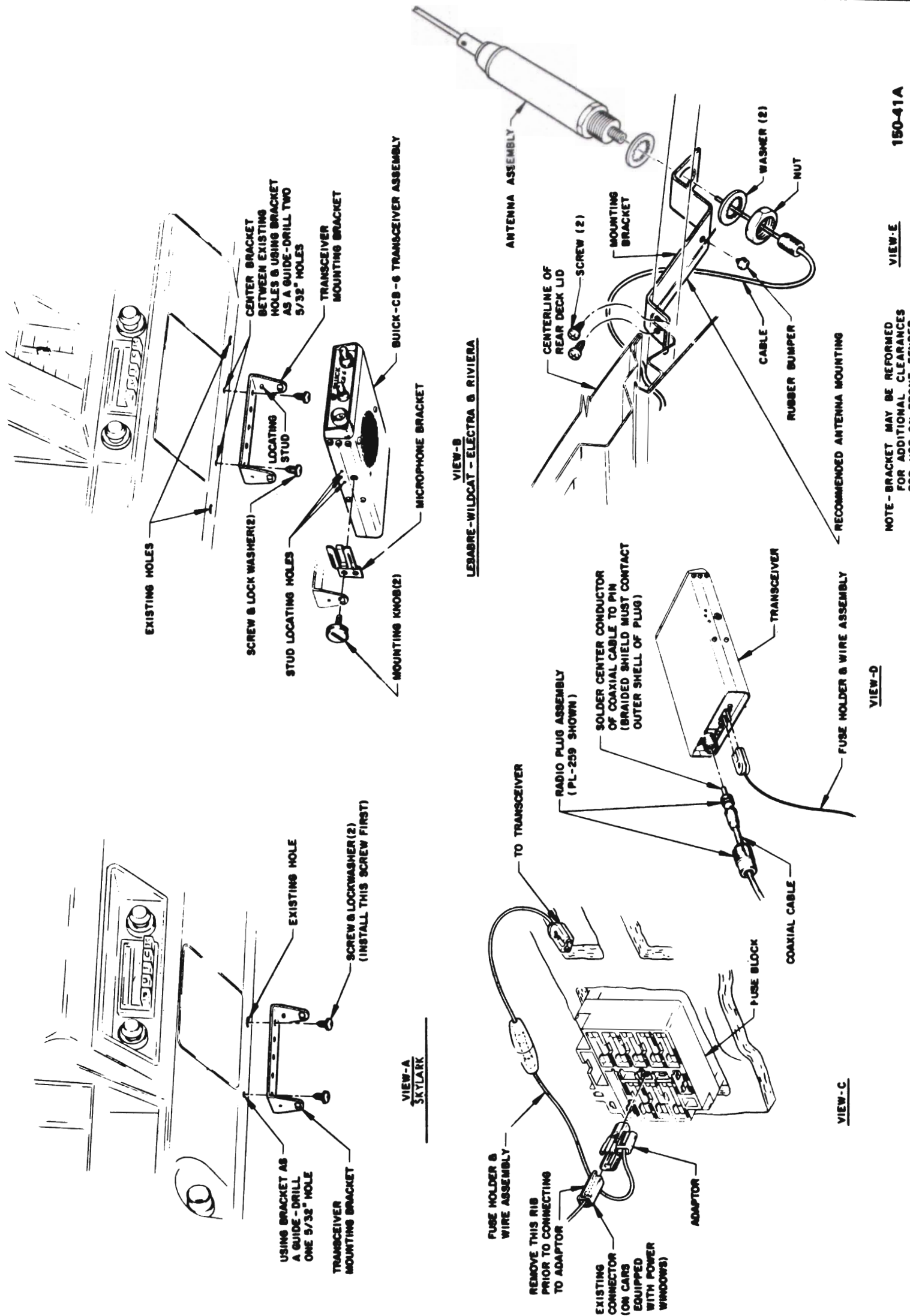


Figure 150-21 Typical CB Radio Installation

INSTALLATION INSTRUCTIONS

1. IMPORTANT DISCONNECT BATTERY GROUND CABLE PRIOR TO INSTALLATION.
 2. ASSEMBLE MOUNTING BRACKET TO ANTENNA & INSTALL BUMPER TO MOUNTING BRACKET. USE MOUNTING BRACKET AS TEMPLATE & DRILL 9/64 DIA. HOLES (2). INSTALL MOUNTING BRACKET. (VIEW E)
 3. ROUTE COAXIAL CABLE THRU HINGE BOX & INSTALL CLIP. (VIEW-F)
 4. REMOVE REAR SEAT CUSHION & SEAT BACK.
 5. REMOVE LEFT DOOR BILL PLATE & FOLD BACK CARPET.
 6. ROUTE COAXIAL CABLE UNDER CARPET AS SHOWN. (VIEW-G)
- CAUTION** DO NOT COIL EXCESS CABLE UNTIL ROUTING IS COMPLETE.
DO NOT CUT OR SHORTEN CABLE.
7. INSTALL RADIO PLUG ASSEMBLY TO END OF COAXIAL CABLE. (VIEW-D)
 - CAUTION** CHECK COAXIAL CABLE FOR SHORTS OR GROUNDING OF CENTER LEAD TO SHIELD.
 8. INSTALL TRANSCEIVER MOUNTING BRACKET TO INSTRUMENT PANEL LOWER TIE BAR AS SHOWN. (VIEWS-A,B,B)
 9. CONNECT FUSE HOLDER & WIRE ASSEMBLY. (VIEW-C)
 10. MOUNT TRANSCEIVER TO MOUNTING BRACKET. (VIEW-B)
 11. CONNECT FUSE HOLDER & WIRE ASSEMBLY AND COAXIAL CABLE TO RADIO. (VIEW-D)
 12. COIL EXCESS CABLE IN LUGGAGE COMPARTMENT & TAPE IN PLACE. (VIEW-G)
 13. INSTALL MICROPHONE.
 14. **A GOOD IDEA** READ INSTRUCTION MANUAL THOROUGHLY BEFORE BEGINNING INSTALLATION.

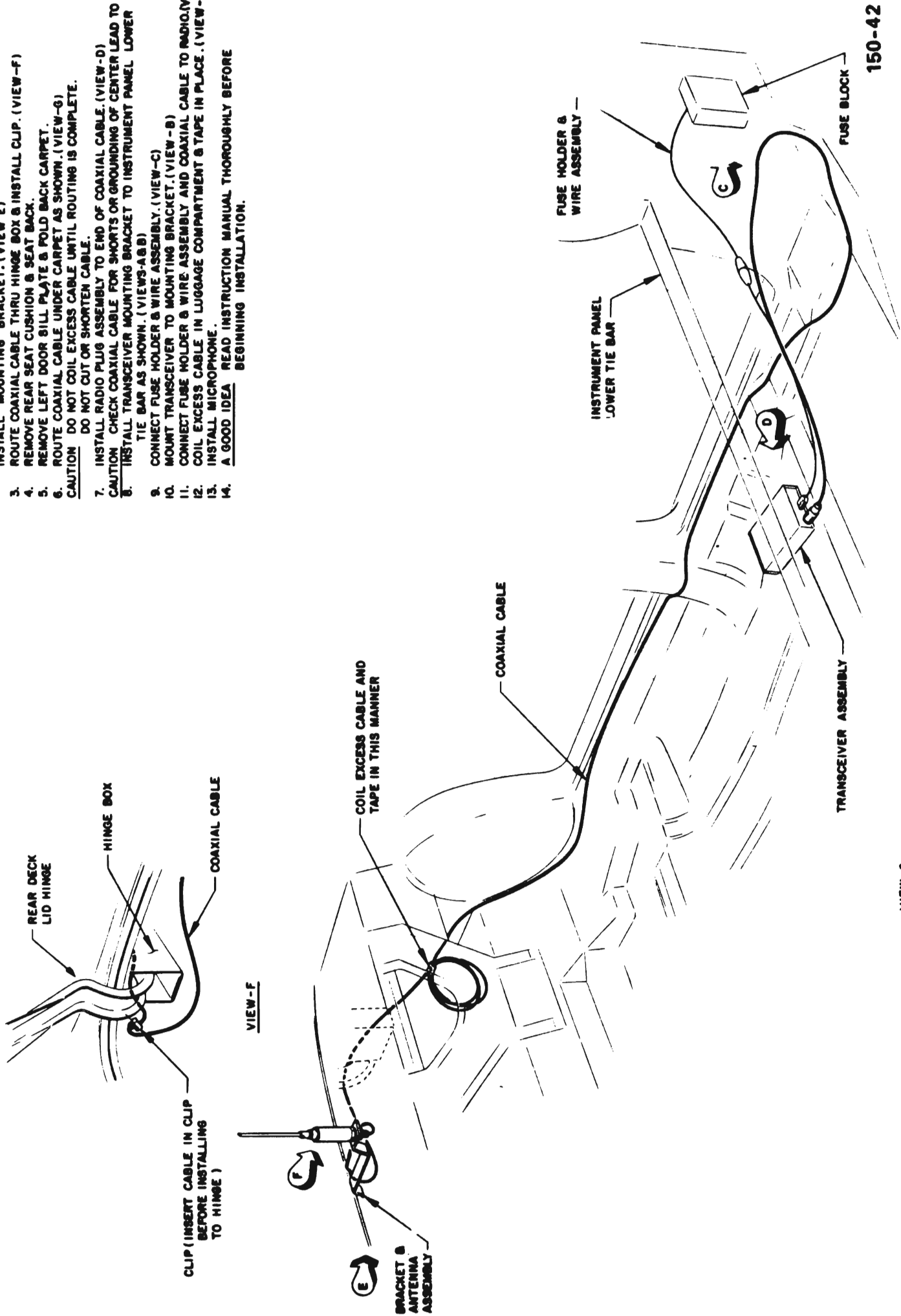
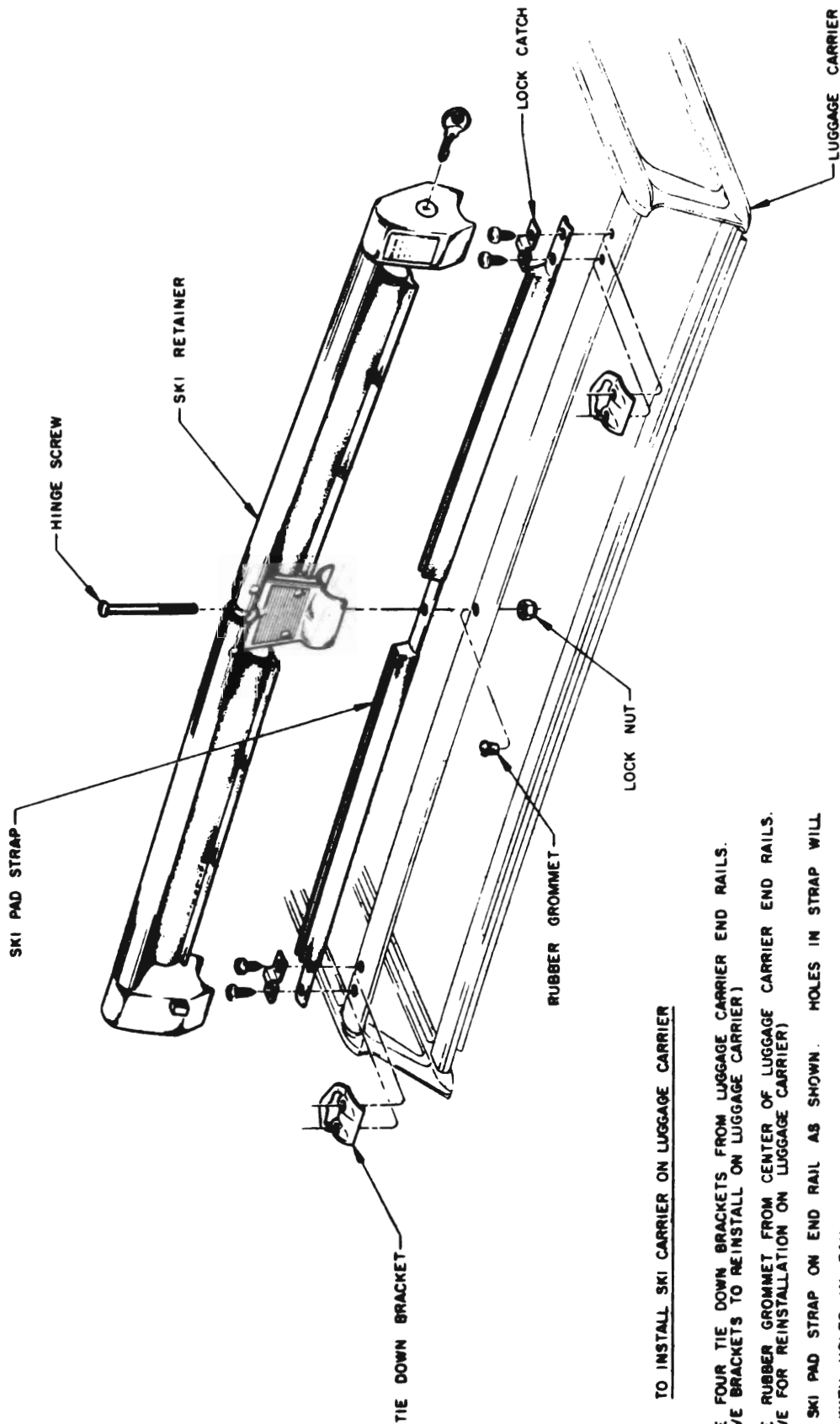


Figure 150-22 Typical CB Cable Routing



TO INSTALL SKI CARRIER ON LUGGAGE CARRIER

1. REMOVE FOUR TIE DOWN BRACKETS FROM LUGGAGE CARRIER END RAILS. (SAVE BRACKETS TO REINSTALL ON LUGGAGE CARRIER)
2. REMOVE RUBBER GROMMET FROM CENTER OF LUGGAGE CARRIER END RAILS. (SAVE FOR REINSTALLATION ON LUGGAGE CARRIER)
3. PLACE SKI PAD STRAP ON END RAIL AS SHOWN. HOLES IN STRAP WILL ALIGN WITH HOLES IN RAIL.
4. REPLACE TIE DOWN BRACKETS WITH LOCK CATCHES AS SHOWN, REUSING SCREWS FROM TIE DOWN BRACKETS.
5. PLACE SKI RETAINER ON SKI PAD STRAP AND TIGHTEN HINGE SCREW AT CENTER WITH LOCK NUT, BOTH PROVIDED IN PACKAGE.
6. OUTER END OF SKI RETAINER SHOULD STRIKE LOCK CATCH TO PERMIT LOCKING WITH KEYS PROVIDED IN PACKAGE.

(A) TRUNK MOUNTED SKIS MORE THAN 6" LONGER THAN VEHICLE IS WIDE SHOULD NOT BE CARRIED ON THIS RACK. LOAD SKIS SO THEY DO NOT PROJECT BEYOND LEFT FENDER LINE OR MORE THAN 6" BEYOND RIGHT FENDER LINE.

150-54

Figure 150-23 Ski Carrier to Luggage Carrier Installation

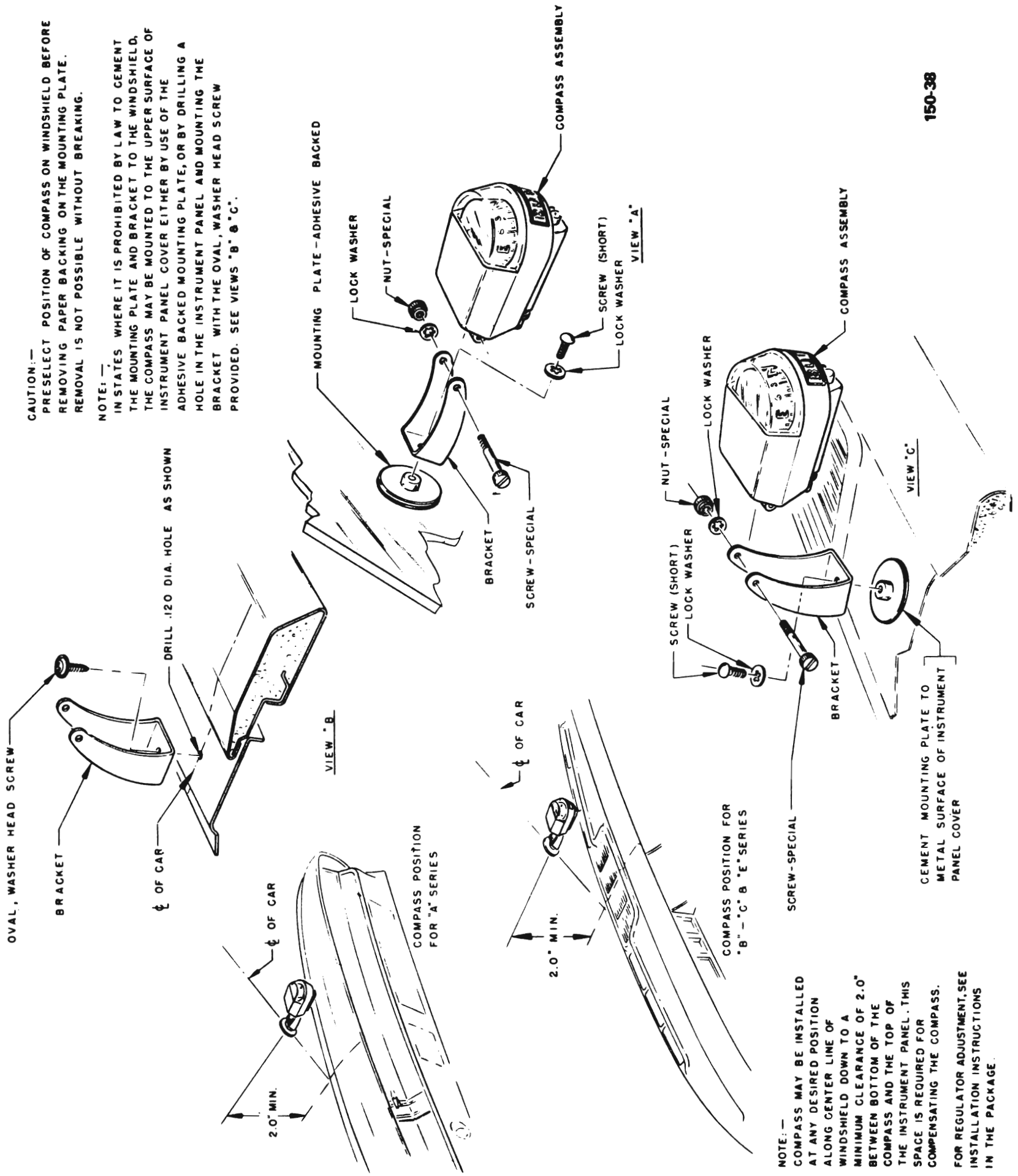
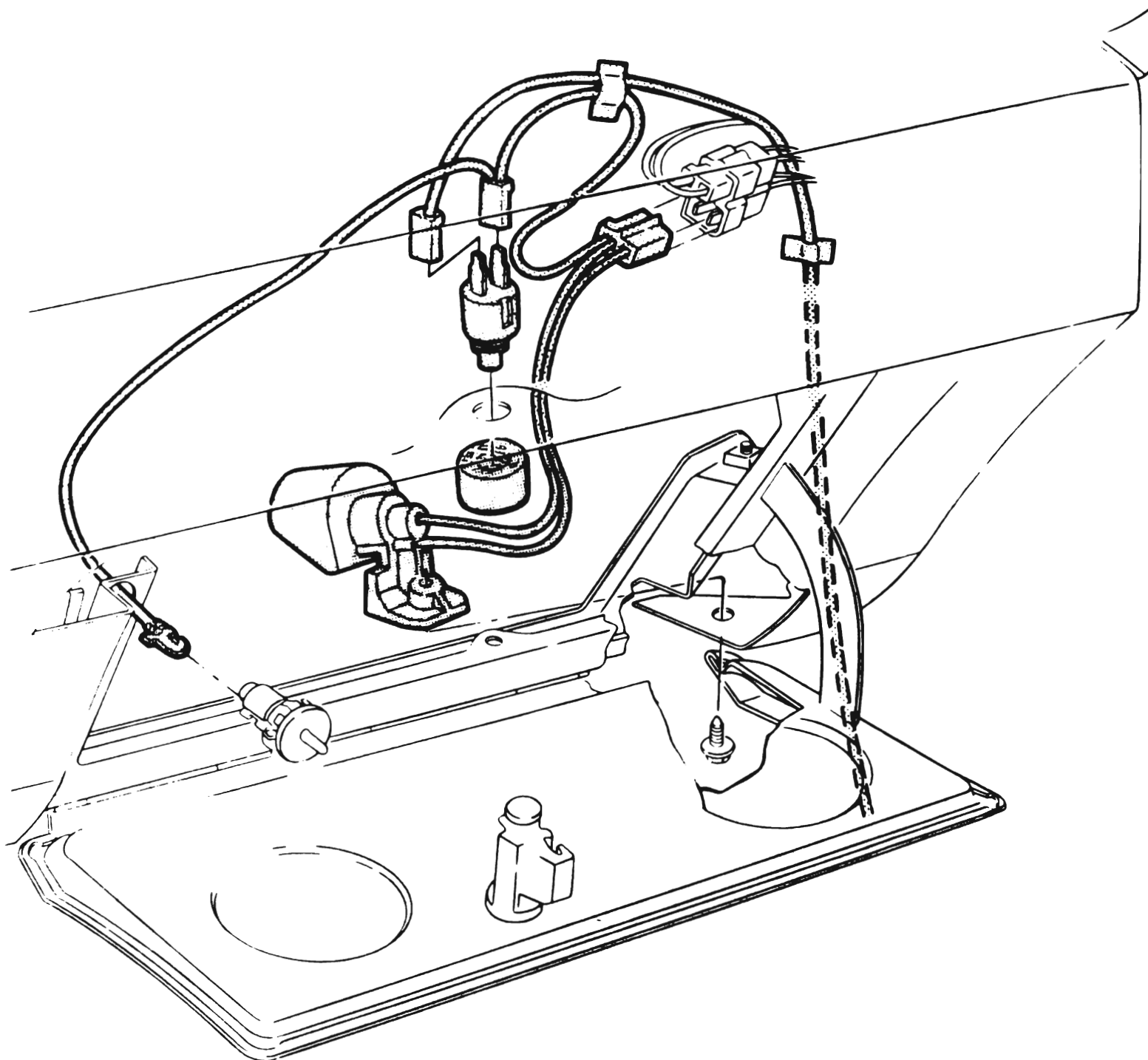


Figure 150-25 Typical Compass Installation

- Step 1. Remove and discard existing courtesy lamp and glove box light harness. Retain bulbs, glove box light switch assembly and courtesy lamp screw.
- Step 2. Install lid lock release switch with guard as shown.
- Step 3. Install previously used courtesy lamp bulb to lamp portion of new harness and attach lamp to instrument panel with previously used screw.
- Step 4. Attach previously used glove box light switch assembly to new harnesses and reinsert switch in opening in glove box.



- Step 5. Connect harness as shown.

150-74

Figure 150-26 Typical Electric Trunk Release Switch Installation

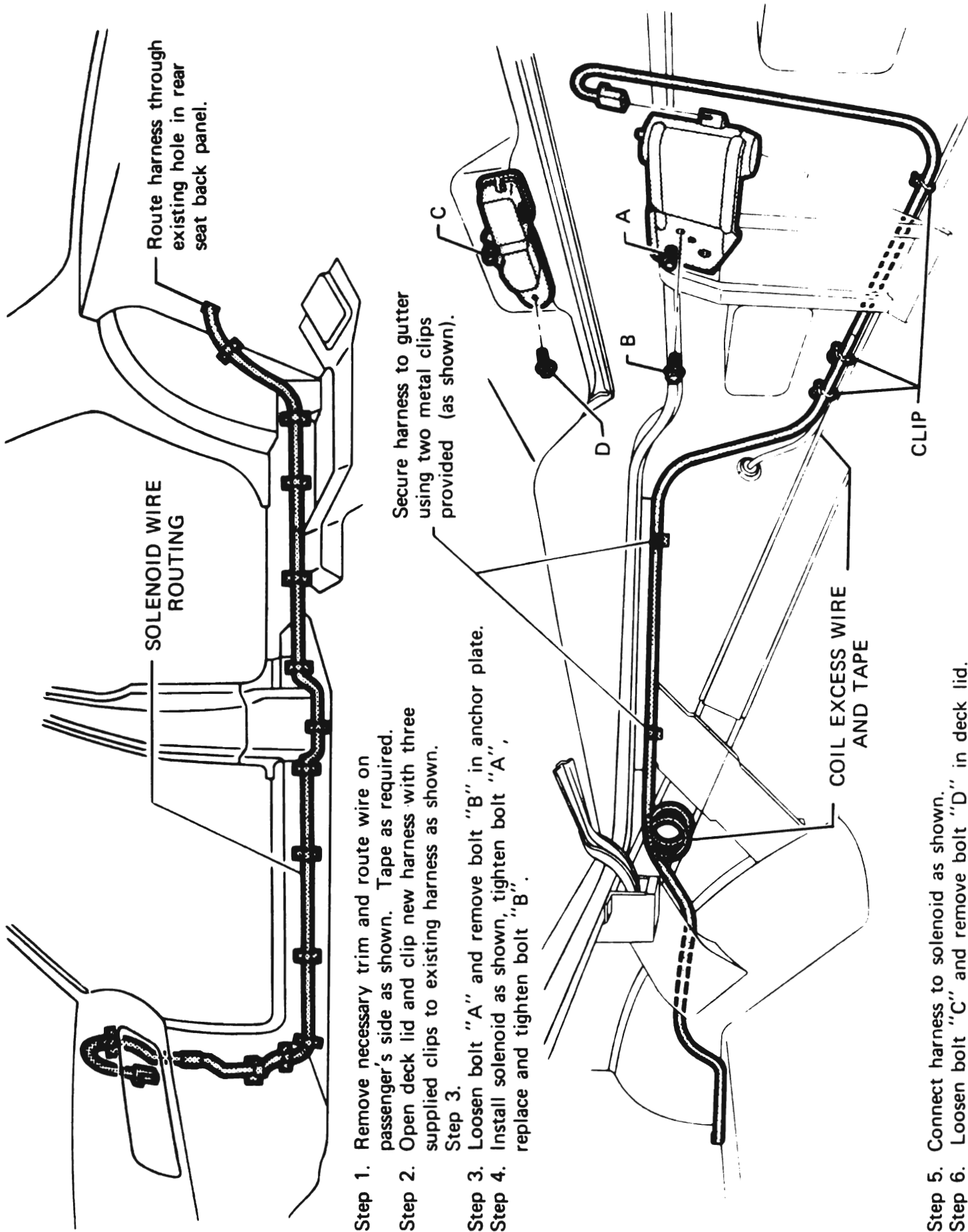


Figure 150-27 Typical Electric Trunk Release Wire Routing and Latch Installation

DECIMAL EQUIVALENTS

$\frac{1}{64}$ _____	.015625	$\frac{33}{64}$ _____	.515625
$\frac{1}{32}$ _____	.03125	$\frac{17}{32}$ _____	.53125
$\frac{3}{64}$ _____	.046875	$\frac{35}{64}$ _____	.546875
$\frac{1}{16}$ _____	.0625	$\frac{9}{16}$ _____	.5625
$\frac{5}{64}$ _____	.078125	$\frac{37}{64}$ _____	.578125
$\frac{3}{32}$ _____	.09375	$\frac{19}{32}$ _____	.59375
$\frac{7}{64}$ _____	.109375	$\frac{39}{64}$ _____	.609375
$\frac{1}{8}$ _____	.125	$\frac{5}{8}$ _____	.625
$\frac{9}{64}$ _____	.140625	$\frac{41}{64}$ _____	.640625
$\frac{5}{32}$ _____	.15625	$\frac{21}{32}$ _____	.65625
$\frac{11}{64}$ _____	.171875	$\frac{43}{64}$ _____	.671875
$\frac{3}{16}$ _____	.1875	$\frac{11}{16}$ _____	.6875
$\frac{13}{64}$ _____	.203125	$\frac{45}{64}$ _____	.703125
$\frac{7}{32}$ _____	.21875	$\frac{23}{32}$ _____	.71875
$\frac{15}{64}$ _____	.234375	$\frac{47}{64}$ _____	.734375
$\frac{1}{4}$ _____	.25	$\frac{3}{4}$ _____	.75
$\frac{17}{64}$ _____	.265625	$\frac{49}{64}$ _____	.765625
$\frac{9}{32}$ _____	.28125	$\frac{25}{32}$ _____	.78125
$\frac{19}{64}$ _____	.296875	$\frac{51}{64}$ _____	.796875
$\frac{5}{16}$ _____	.3125	$\frac{13}{16}$ _____	.8125
$\frac{21}{64}$ _____	.328125	$\frac{53}{64}$ _____	.828125
$\frac{11}{32}$ _____	.34375	$\frac{27}{32}$ _____	.84375
$\frac{23}{64}$ _____	.359375	$\frac{55}{64}$ _____	.859375
$\frac{3}{8}$ _____	.375	$\frac{7}{8}$ _____	.875
$\frac{25}{64}$ _____	.390625	$\frac{57}{64}$ _____	.890625
$\frac{13}{32}$ _____	.40625	$\frac{29}{32}$ _____	.90625
$\frac{27}{64}$ _____	.421875	$\frac{59}{64}$ _____	.921875
$\frac{7}{16}$ _____	.4375	$\frac{15}{16}$ _____	.9375
$\frac{29}{64}$ _____	.453125	$\frac{61}{64}$ _____	.953125
$\frac{15}{32}$ _____	.46875	$\frac{31}{32}$ _____	.96875
$\frac{31}{64}$ _____	.484375	$\frac{63}{64}$ _____	.984375
$\frac{1}{2}$ _____	.5	1 _____	1.

TAPS · DIES · GAGES · SCREW PLATES · SCREW EXTRACTORS

DECIMAL EQUIVALENTS AND TAP DRILL SIZES

DRILL SIZE	DECIMAL	TAP SIZE	DRILL SIZE	DECIMAL	TAP SIZE	DRILL SIZE	DECIMAL	TAP SIZE
1/64	.0156		17	.1730		Q	.3320	3/8-24
1/32	.0312		16	.1770	12-24	R	.3390	
60	.0400		15	.1800		11/32	.3437	
59	.0410		14	.1820	12-28	S	.3480	
58	.0420		13	.1850	12-32	T	.3580	
57	.0430		3/16	.1875		23/64	.3594	
56	.0465		12	.1890		U	.3680	7/16-14
3/64	.0469	0-80	11	.1910		3/8	.3750	
55	.0520		10	.1935		V	.3770	
54	.0550	1-56	9	.1960		W	.3860	
53	.0595	1-64, 72	8	.1990		25/64	.3906	7/16-20
1/16	.0625		7	.2010	1/4-20	X	.3970	
52	.0635		13/64	.2031		Y	.4040	
51	.0670		6	.2040		13/32	.4062	
50	.0700	2-56, 64	5	.2055		Z	.4130	
49	.0730		4	.2090	1/4-28	27/64	.4219	1/2-13
48	.0760		3	.2130		7/16	.4375	
5/64	.0781		7/32	.2187		29/64	.4531	1/2-20
47	.0785	3-48	2	.2210		15/32	.4687	
46	.0810		1	.2280		31/64	.4844	9/16-12
45	.0820	3-56, 4-32	A	.2340		1/2	.5000	
44	.0860	4-36	15/64	.2344		33/64	.5156	9/16-18
43	.0890	4-40	B	.2380		17/32	.5312	5/8-11
42	.0935	4-48	C	.2420		35/64	.5469	
3/32	.0937		D	.2460		9/16	.5625	
41	.0960		E, 1/4	.2500	5/16-18	37/64	.5781	5/8-18
40	.0980		F	.2570		19/32	.5937	11/16-11
39	.0995		G	.2610		39/64	.6094	
38	.1015	5-40	17/64	.2656		5/8	.6250	11/16-16
37	.1040	5-44	H	.2660		41/64	.6406	
36	.1065	6-32	I	.2720	5/16-24	21/32	.6562	3/4-10
7/64	.1093		J	.2770		43/64	.6719	
35	.1100		K	.2810		11/16	.6875	3/4-16
34	.1110	6-36	9/32	.2812		45/64	.7031	
33	.1130	6-40	L	.2900		23/32	.7187	
32	.1160		M	.2950		47/64	.7344	
31	.1200		19/64	.2968		3/4	.7500	
1/8	.1250		N	.3020		49/64	.7656	7/8-9
30	.1285		5/16	.3125	3/8-16	25/32	.7812	
29	.1360	8-32, 36	O	.3160		51/64	.7969	
28	.1405	8-40	P	.3230		13/16	.8125	7/8-14
9/64	.1406		21/64	.3281		53/64	.8281	
27	.1440					27/32	.8437	
26	.1470					55/64	.8594	
25	.1495	10-24				7/8	.8750	1-8
24	.1520					57/64	.8906	
23	.1540					29/32	.9062	
5/32	.1562					59/64	.9219	
22	.1570	10-30				15/16	.9375	1-12, 14
21	.1590	10-32				61/64	.9531	
20	.1610					31/32	.9687	
19	.1660					63/64	.9844	
18	.1695					1	1.000	
11/64	.1719							

THREAD	DRILL	THREAD	DRILL
1/8-27	R	1 1/2-11 1/2	1 47/64
1/4-18	7/16	2-11 1/2	2 7/32
3/8-18	37/64	2 1/2-8	2 5/8
1/2-14	23/32	3-8	3 1/4
3/4-14	59/64	3 1/2-8	3 3/4
1-11 1/2	1 5/32	4-8	4 1/4
1 1/4-11 1/2	1 1/2		