

SECTION B

RADIATOR AND GRILLE

4L-4N-4R-4P-4U-4V SERIES

CONTENTS

Division	Subject	Page No.
I	TRUBLE DIAGNOSIS: (Not Applicable)	
II	DESCRIPTION AND OPERATION: (Not Applicable)	
III	ADJUSTMENTS AND MINOR SERVICE: (Not Applicable)	
IV	REMOVAL AND INSTALLATION:	
IV	Radiator Mounting	130-7
V	OVERHAUL AND MAJOR SERVICE: (Not Applicable)	
VI	SPECIFICATIONS: (Not Applicable)	

DIVISION IV**REMOVAL AND INSTALLATION****130-2 RADIATOR MOUNTING**

The radiator mounting is a four-point system using rubber inserts on "U" shaped brackets (for the lower mounting). The upper brackets are part of the upper radiator mounting panel. The lower brackets mount on the lower portion of the radiator mounting panel.

Index of Illustrations

Figure Number	Description
130-5	4L-4N-4R-4P-4U-4V Radiator Assembly and Fan Shroud
130-6	4L-4N-4R-4P-4U-4V Radiator Reservoir
130-7	4L-4N-4R-4P-4U-4V Radiator Support, Headlamps and Hood Latch
130-8	4L-4N-4R-4P-4U-4V Grille - Radiator and Name Plate

[I] HEAVY DUTY COOLING

PERM. ANTI-FREEZE MAY BE USED TO ASSIST INSTALLATION OF HOSES.

SEALING SURFACES INSIDE RADIATOR FILLER NECK MUST BE CLEAN AND FREE OF FOREIGN MATERIAL WHEN CAP IS INSTALLED.

COOLING SYSTEM TO BE PRESSURE CHECKED FOR LEAKS WITH 14 TO 17 LBS. AIR PRESSURE AT THE RADIATOR FILLER NECK.⁸

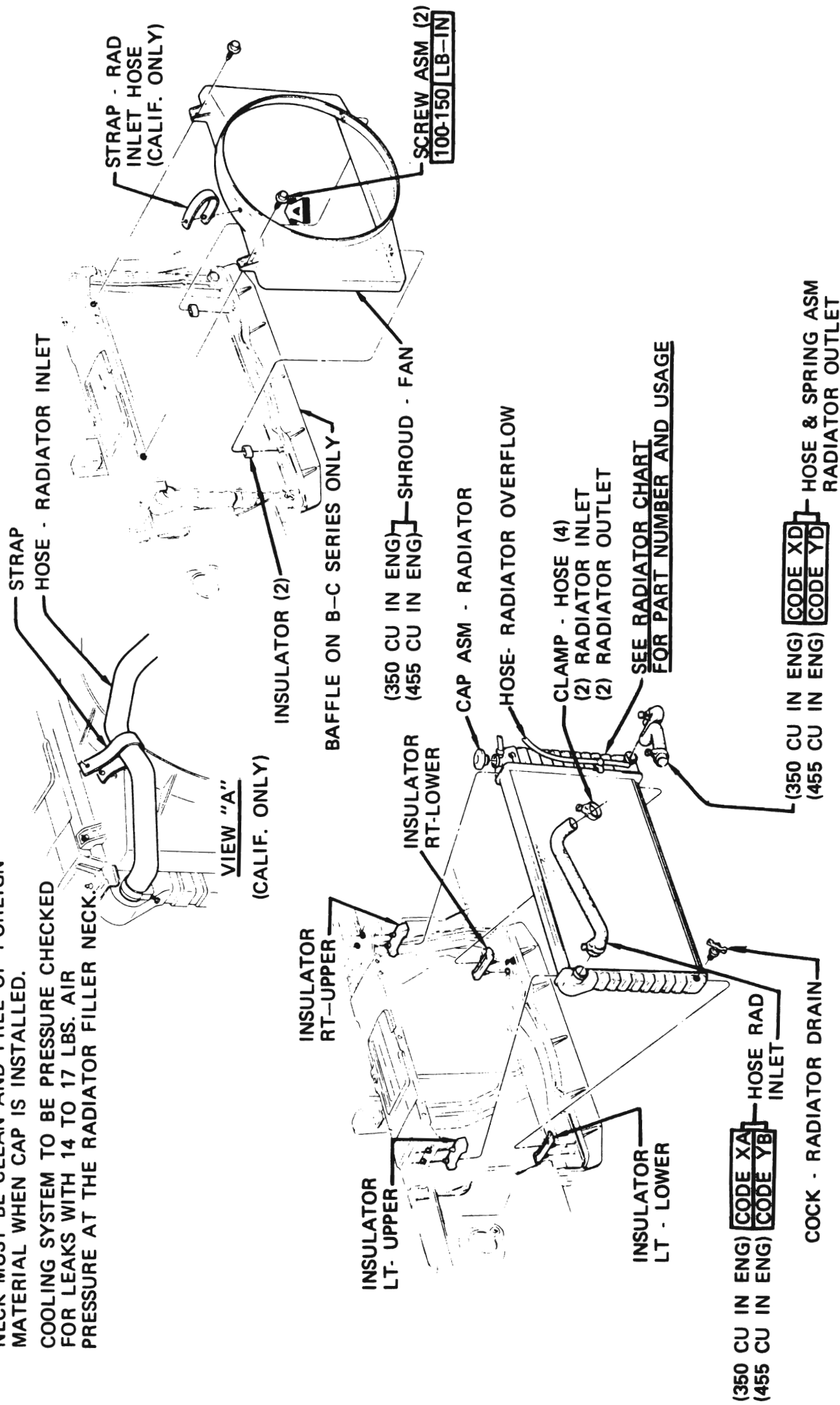
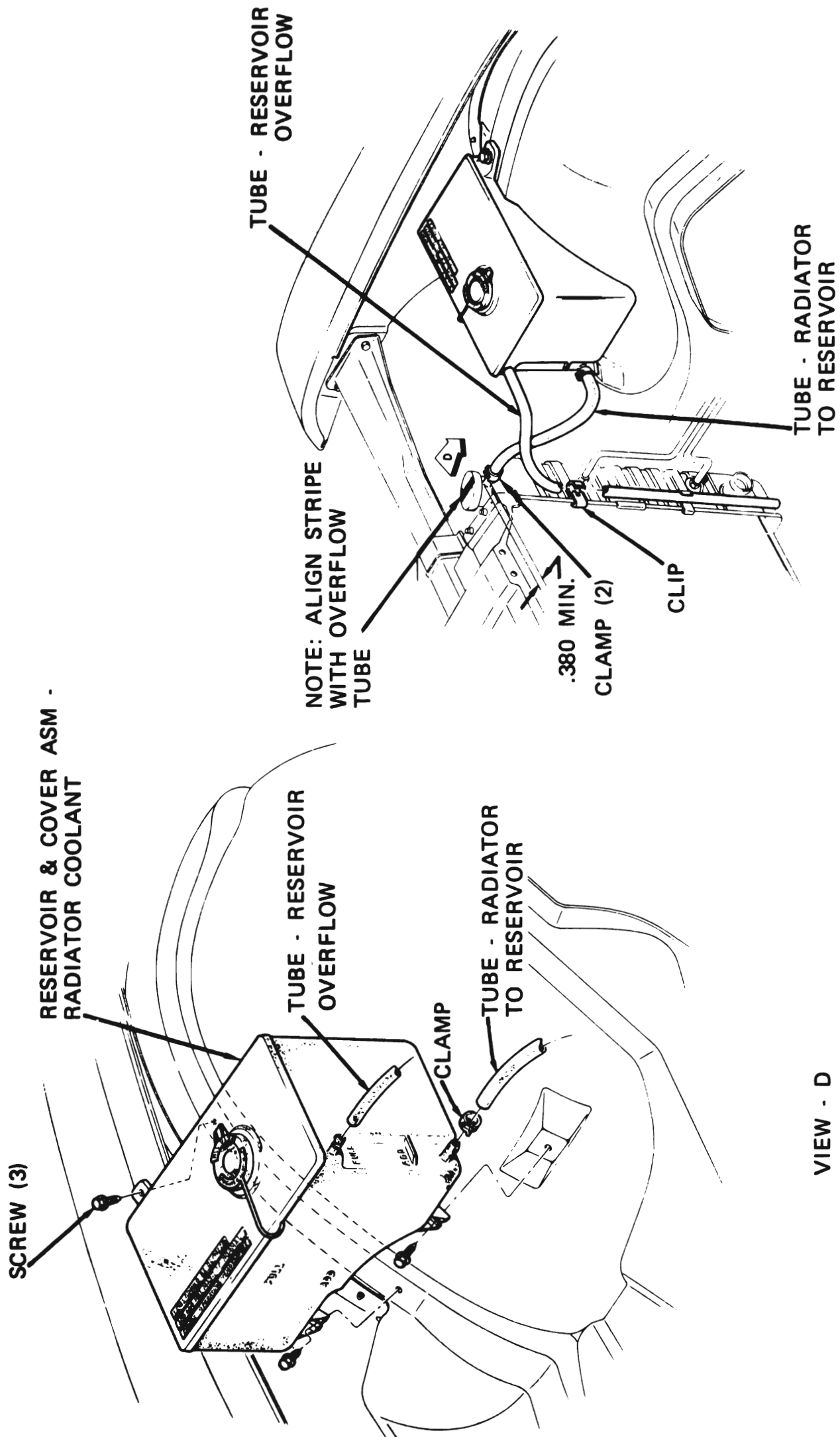


Figure 130-5 - 4L-4N-4R-4P-4U-4V Radiator Assembly and Fan Shroud



130-31A

Figure 130-6 · 4L-4N-4R-4P-4U-4V Radiator Reservoir

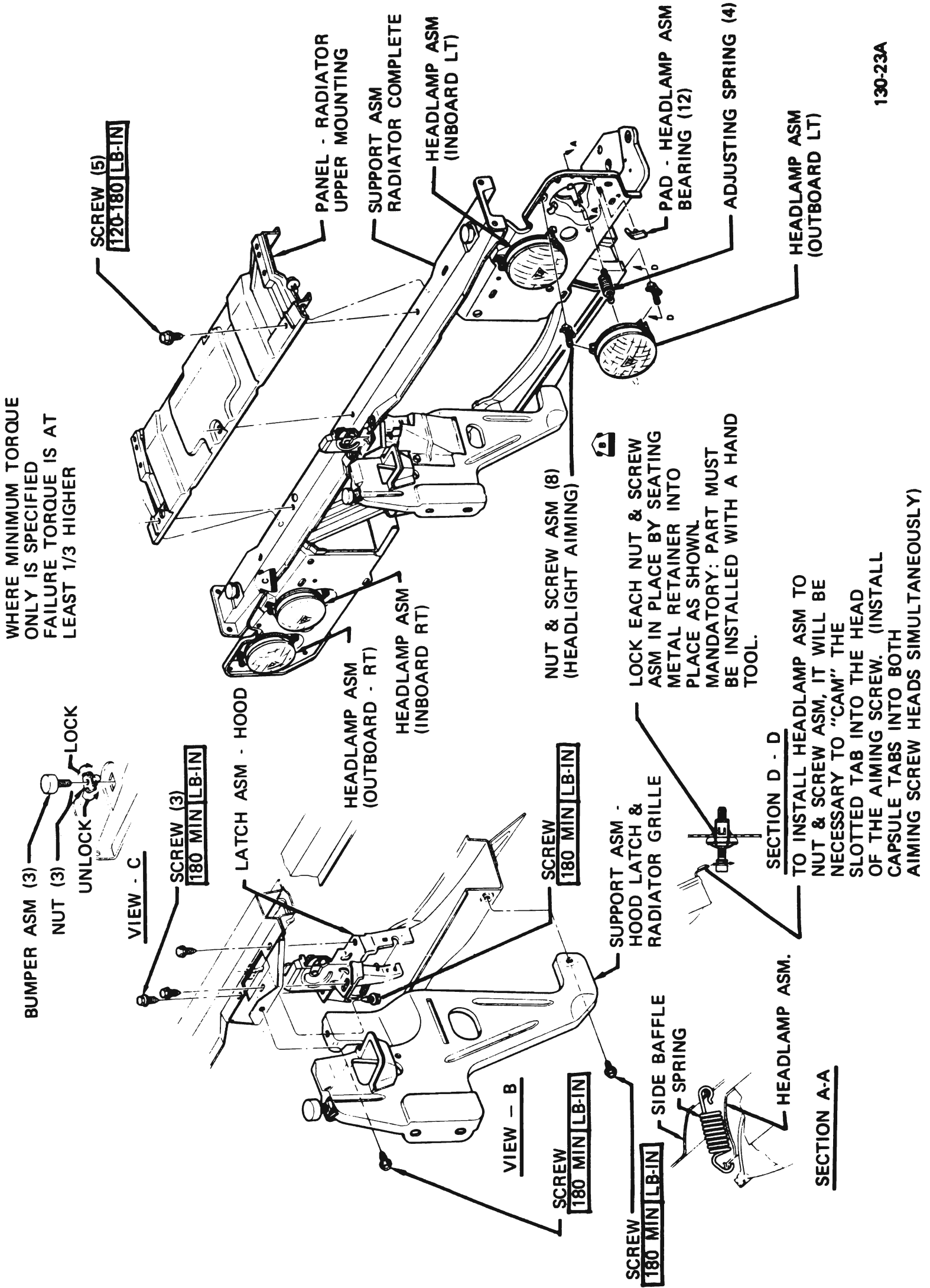
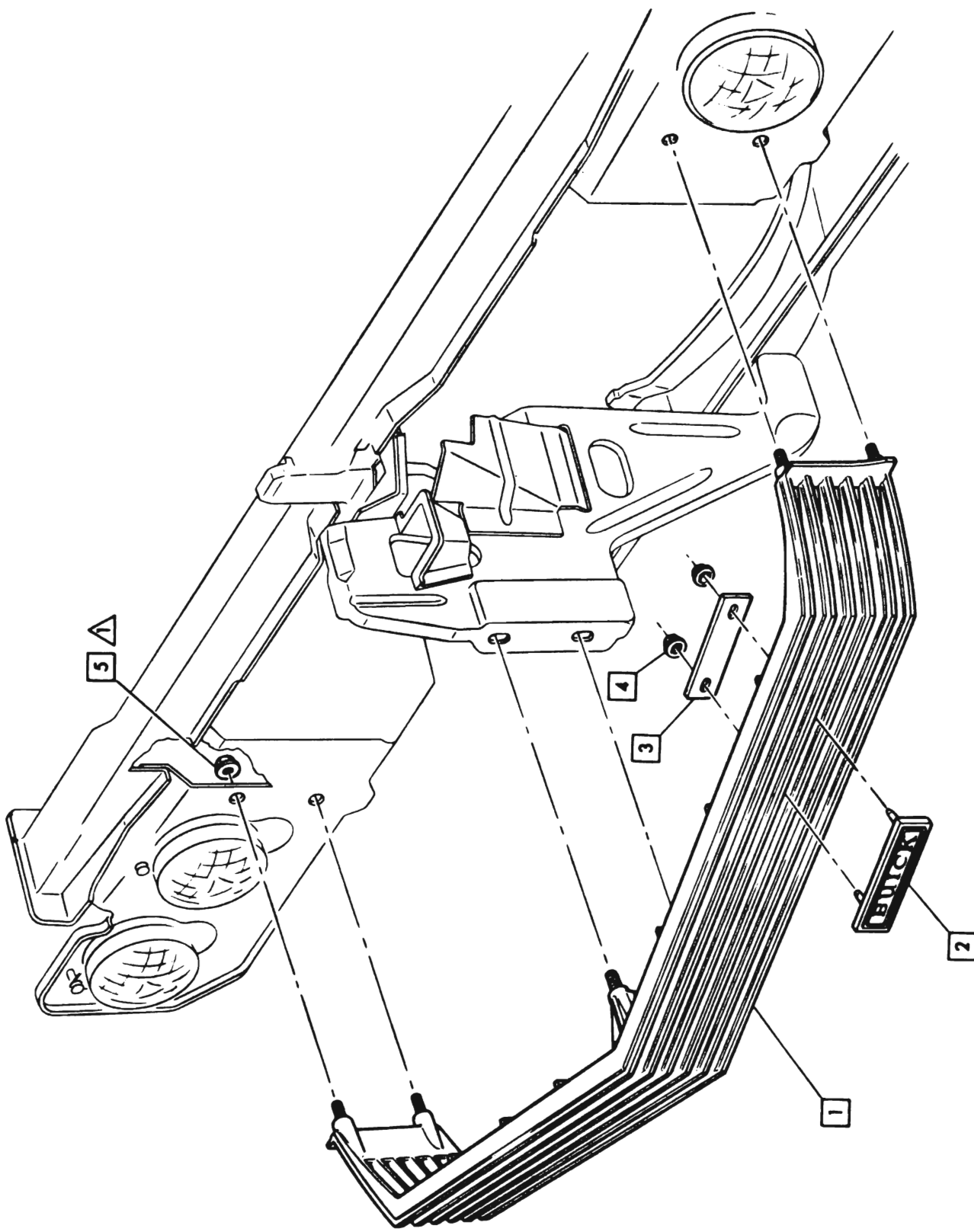


Figure 130-7 - 4L-4N-4R-4P-4U-4V Radiator Support, Headlamps, and Hood Latch



- 1 BODY ASML
- 2 NAMEPLATE - RAD. GRILLE
- 3 RETAINER
- 4 NUT (2)
- 5 NUT (6)

130-24A

△ 120-180 LB-IN

Figure 130-8 - 4L-4N-4R-4P-4U-4V Grille - Radiator and Name Plate