

SECTION B

RADIATOR and GRILLE 45-46-48000 SERIES

CONTENTS

Division	Subject	Paragraph
I	TROUBLE DIAGNOSIS: (Not Applicable)	-
II	DESCRIPTION AND OPERATION: (Not Applicable)	-
III	ADJUSTMENTS AND MINOR SERVICE: (Not Applicable)	-
IV	REMOVAL AND INSTALLATION: Radiator Mounting	130-2
V	OVERHAUL AND MAJOR SERVICE: (Not Applicable)	-
VI	SPECIFICATIONS (Not Applicable)	-

DIVISION IV REMOVAL AND INSTALLATION

130-2 RADIATOR MOUNTING

The radiator mounting is a four-point system using rubber inserts on "U" shaped brackets (for the lower mounting). The upper brackets are part of the upper radiator mounting panel. The lower brackets mount on the lower portion of the radiator mounting panel.

INDEX OF ILLUSTRATIONS

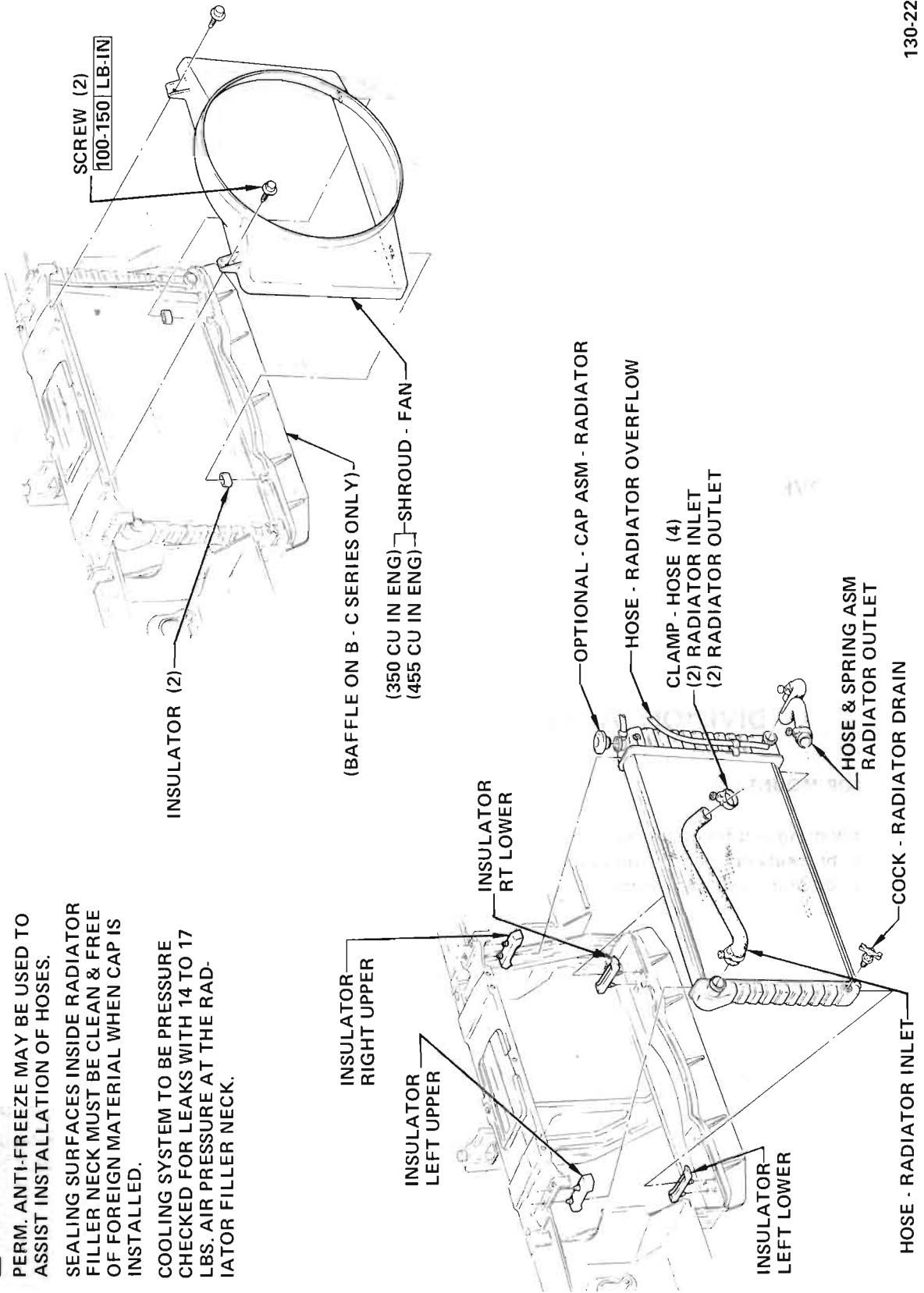
Figure Number	Description
130-5	45-46-48000 Radiator and Support
130-6	45-46-48000 Radiator Overflow Reservoir and Tubes
130-7	45-46-48000 Hood Latch and Support, Hood Bumper, Headlamp
130-8	45-46-48000 Grille

1 HEAVY DUTY COOLING

PERM. ANTI-FREEZE MAY BE USED TO ASSIST INSTALLATION OF HOSES.

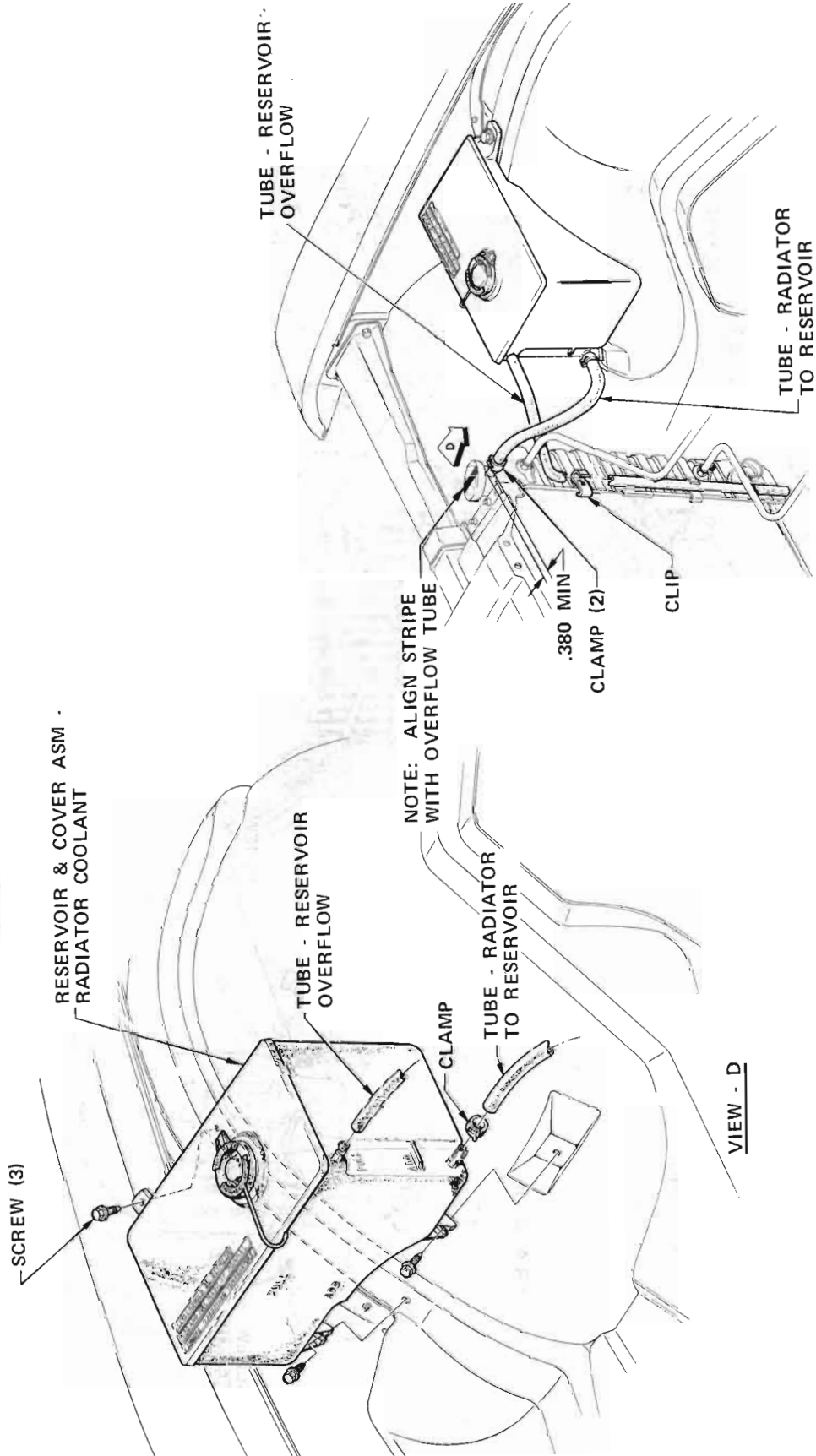
SEALING SURFACES INSIDE RADIATOR FILLER NECK MUST BE CLEAN & FREE OF FOREIGN MATERIAL WHEN CAP IS INSTALLED.

COOLING SYSTEM TO BE PRESSURE CHECKED FOR LEAKS WITH 14 TO 17 LBS. AIR PRESSURE AT THE RADIATOR FILLER NECK.



130-22A

Figure 130-5 - 45-46-48000 Radiator and Support



130-31A

Figure 130-6 - 45-46-48000 Radiator Overflow Reservoir and Tubes

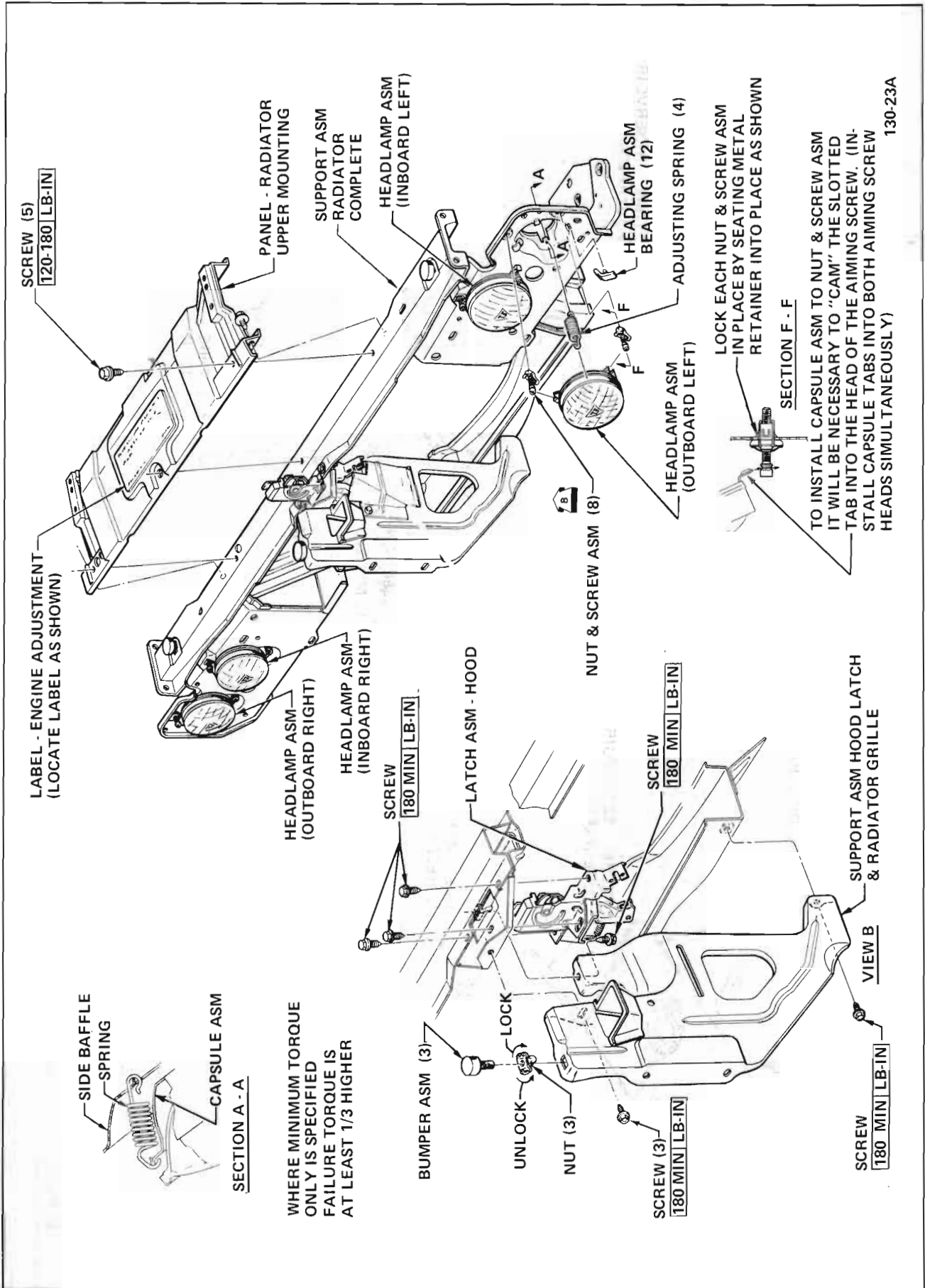
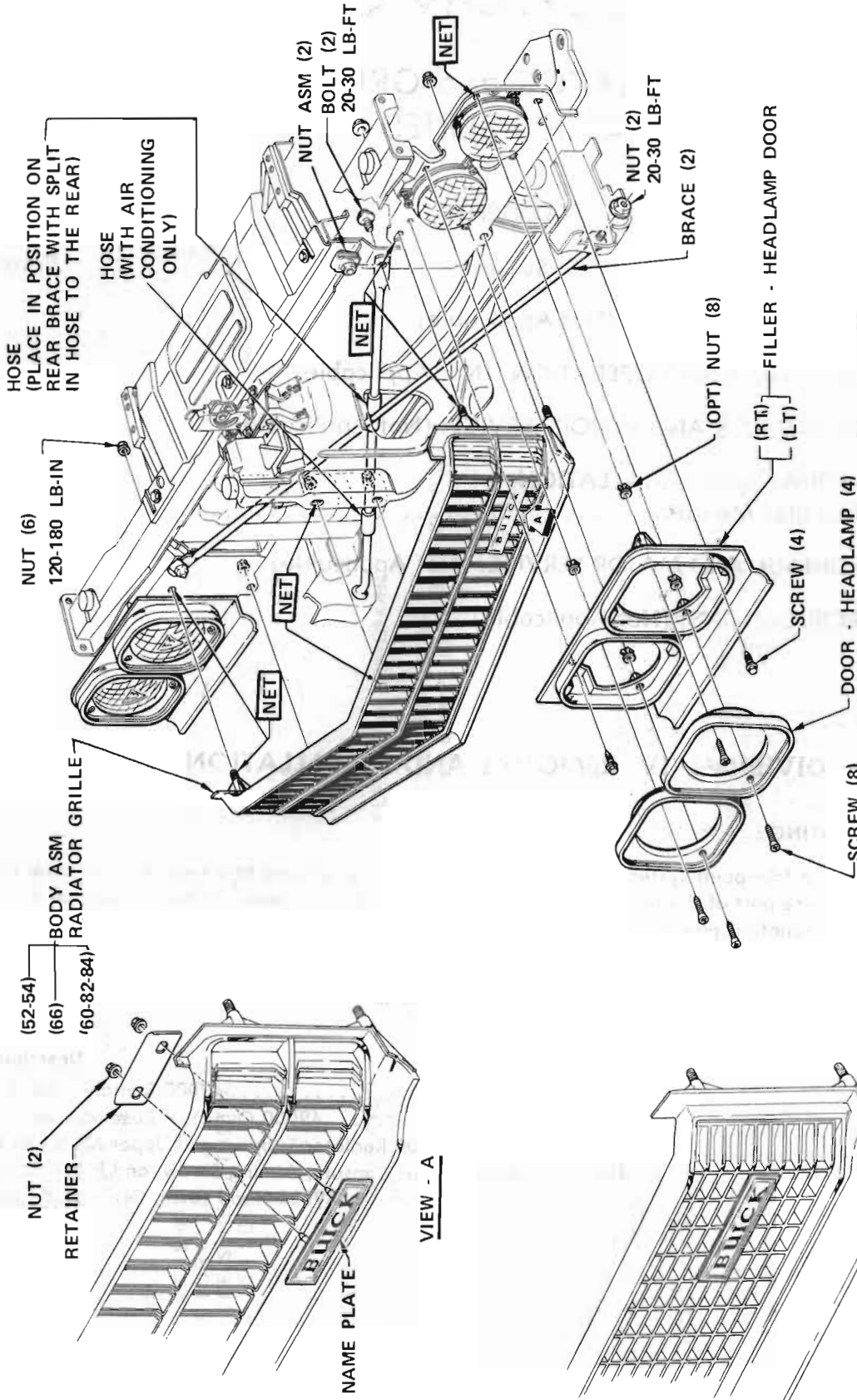


Figure 130-7 - 45-46-48000 Hood Latch and Support, Hood Bumper, Headlamp



HOLES AND STUDS MARKED [NET] ARE FOR ASSEMBLY ALIGNMENT

130-24A

(52-54)
(66)
(60-82-84)

NUT (2)

RETAINER

BODY ASM
RADIATOR GRILLE

NAME PLATE

VIEW - A

VIEW A
(66 ONLY)

Figure 130-8 - 45-46-48000 Grille