

# SECTION B

## 45-46-48000 RADIATOR AND GRILLE

### CONTENTS

Division	Subject	Paragraph
I	SPECIFICATIONS AND ADJUSTMENTS: Radiator Mounting .....	130-2
II	DESCRIPTION AND OPERATION:	
III	SERVICE PROCEDURES: Removal and Installation Obvious Upon Inspection. See Illustrations.	
IV	TROUBLE DIAGNOSIS:	

### DIVISION I SPECIFICATIONS AND ADJUSTMENTS

#### 130-2 RADIATOR MOUNTING

The radiator mounting is a four-point system using rubber inserts on "U" shaped brackets (for the lower mounting). The upper brackets are part of the upper radiator mounting panel. The lower brackets mount on the lower portion of the radiator mounting panel.

### INDEX OF ILLUSTRATIONS

Figure Number	Description	Page
130-5.....	45-46-48000 Radiator and Support .....	130-8
130-6.....	45-46-48000 Radiator Overflow Reservoir and Tubes .....	130-9
130-7.....	45-46-48000 Hood Latch and Support, Hood Bumper, Headlamp .....	130-10
130-8.....	45-46-48000 Grille .....	130-11

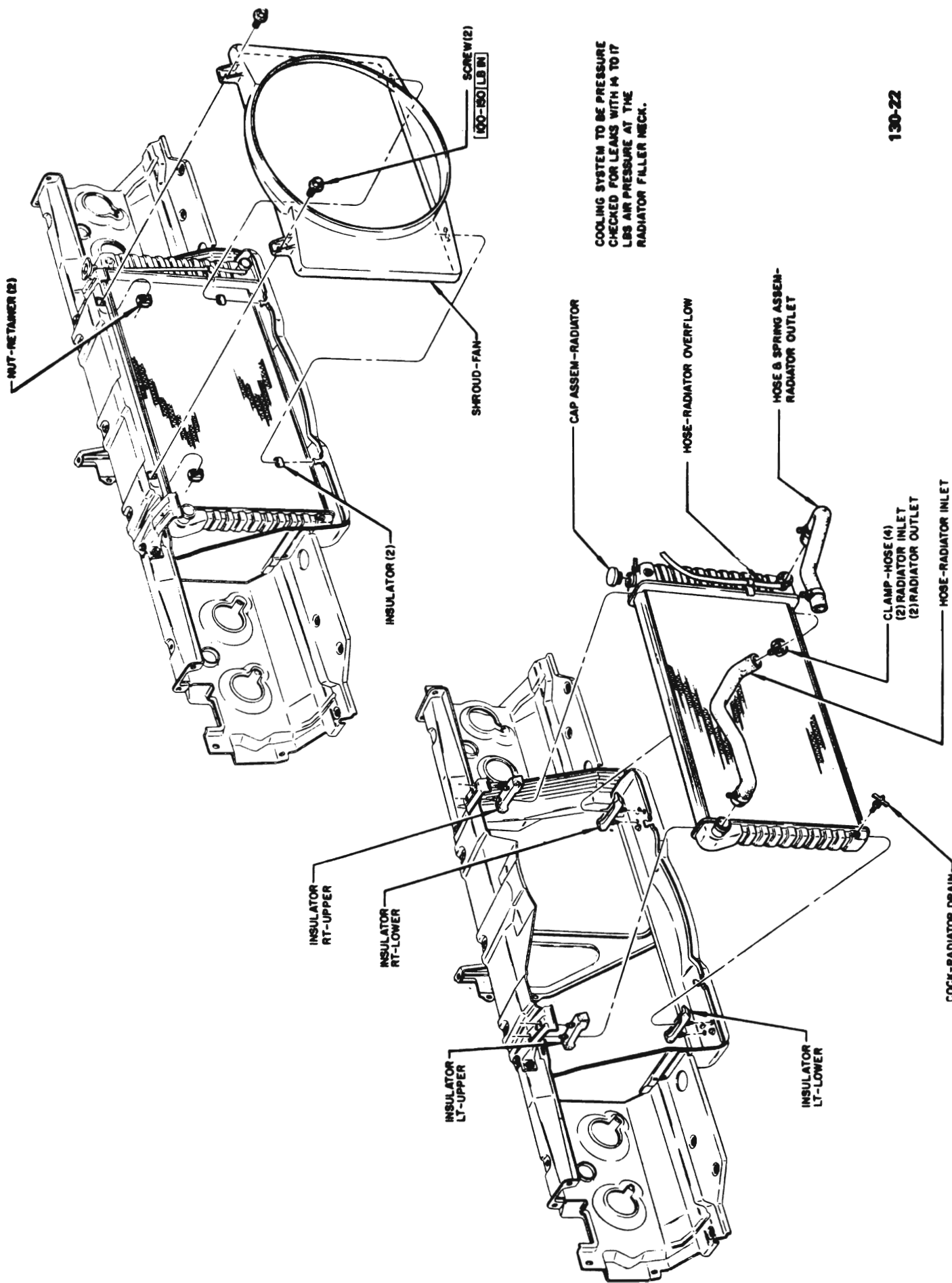


Figure 130.5 - 45-46-48000 Radiator and Support

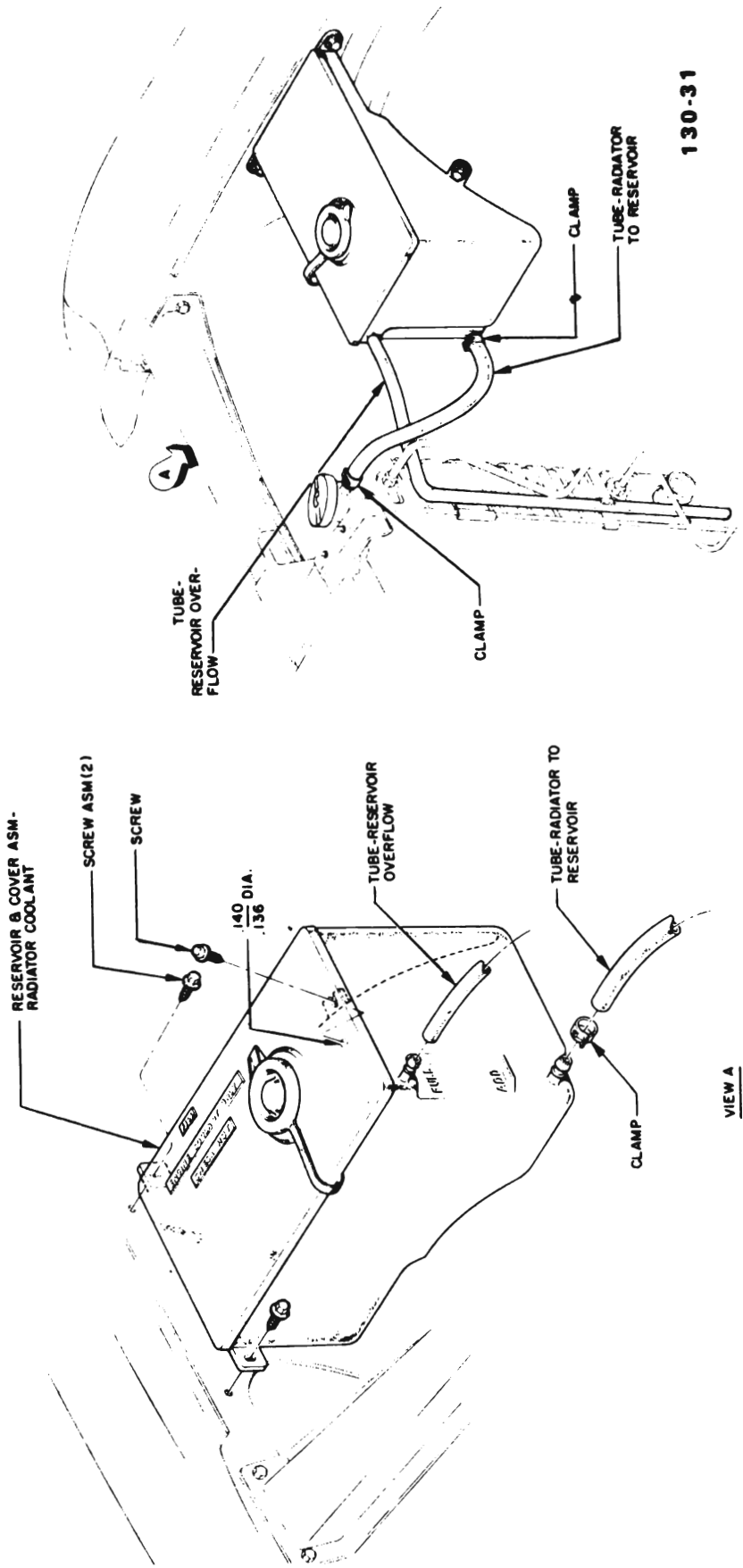


Figure 130-6 · 45-46-48000 Radiator Overflow Reservoir and Tubes

130-10 RADIATORS AND GRILLES

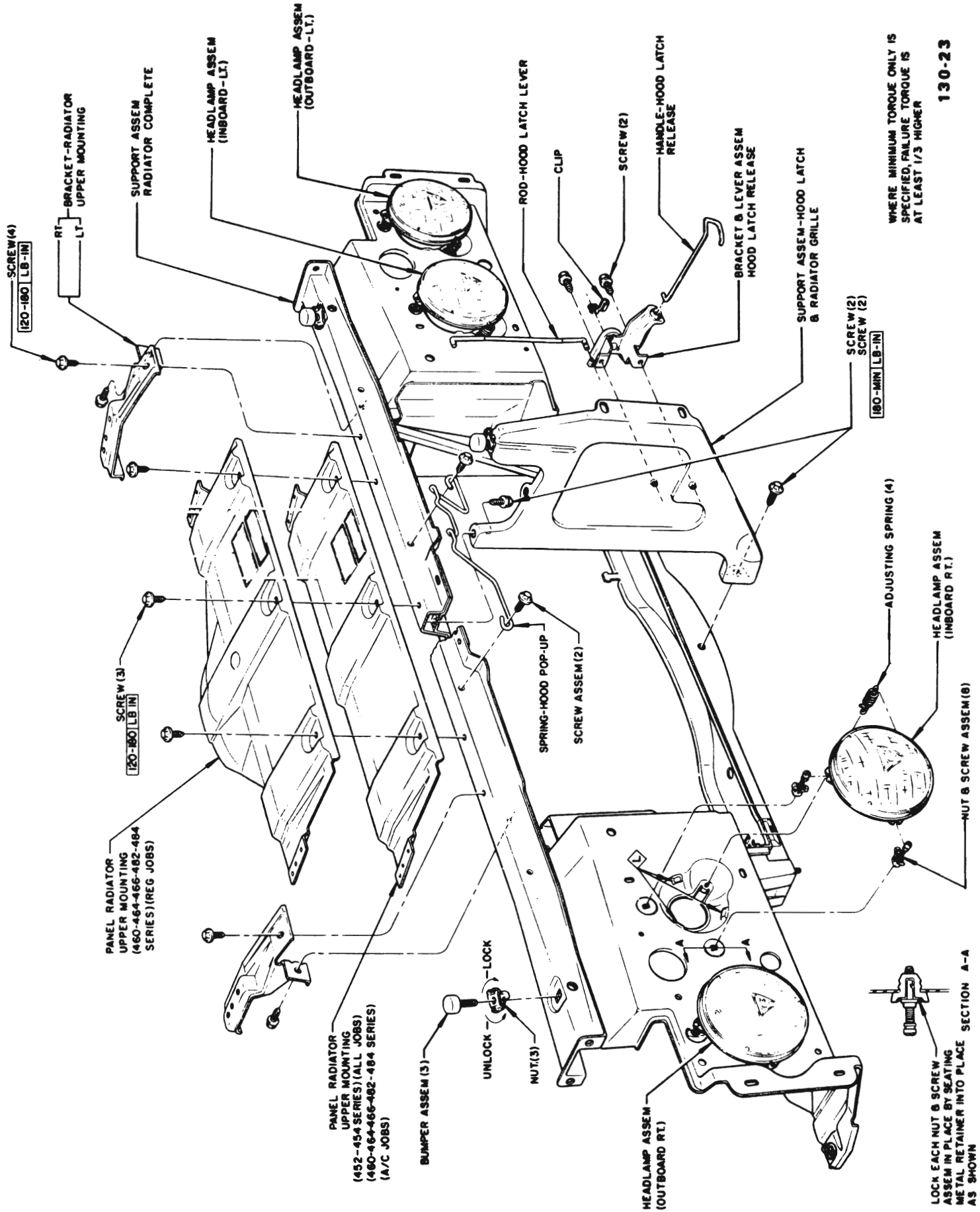
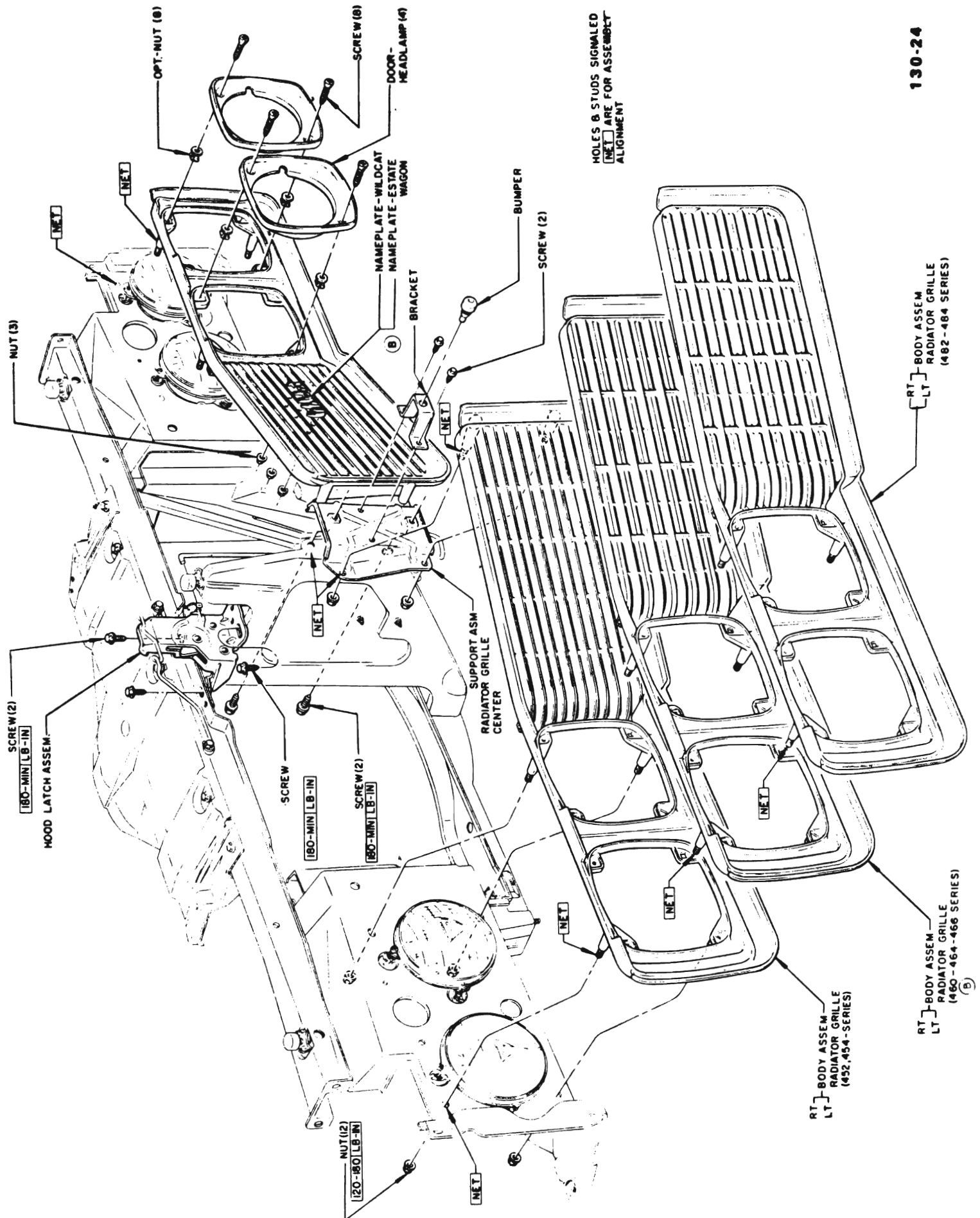


Figure 130.7 - 45-46-48000 Hood Latch and Support, Hood Bumper, Headlamp



HOLES & STUDS SIGNALLED [NET] ARE FOR ASSEMBLY ALIGNMENT

130-24

Figure 130-8 · 45-46-48000 Grille