

# SECTION B

## 45-46-48000 BUMPERS

### CONTENTS

Division	Subject	Paragraph
I	SPECIFICATIONS AND ADJUSTMENTS: Adjustment of Front and Rear Bumper.....	140-2
II	DESCRIPTION AND OPERATION:	
III	SERVICE PROCEDURES: Removal and Installation Obvious Upon Inspection. See Illustrations.	
IV	TROUBLE DIAGNOSIS:	

## DIVISION I SPECIFICATIONS AND ADJUSTMENTS

### 140-2 ADJUSTMENT OF FRONT AND REAR BUMPER

The front bumper brackets and supports are slotted to allow alignment to adjacent parts. The rear bumper brackets and braces are also slotted to permit alignment.

### INDEX OF ILLUSTRATIONS

Figure Number	Description	Page
140-6 .....	45-46-48000 Front Bumper .....	140-9
140-7 .....	45-46-48000 Front Bumper .....	140-10
140-8 .....	45-46000 Rear Bumper .....	140-11
140-9 .....	45-46000 Rear Bumper .....	140-12
140-10.....	48000 Rear Bumper.....	140-13

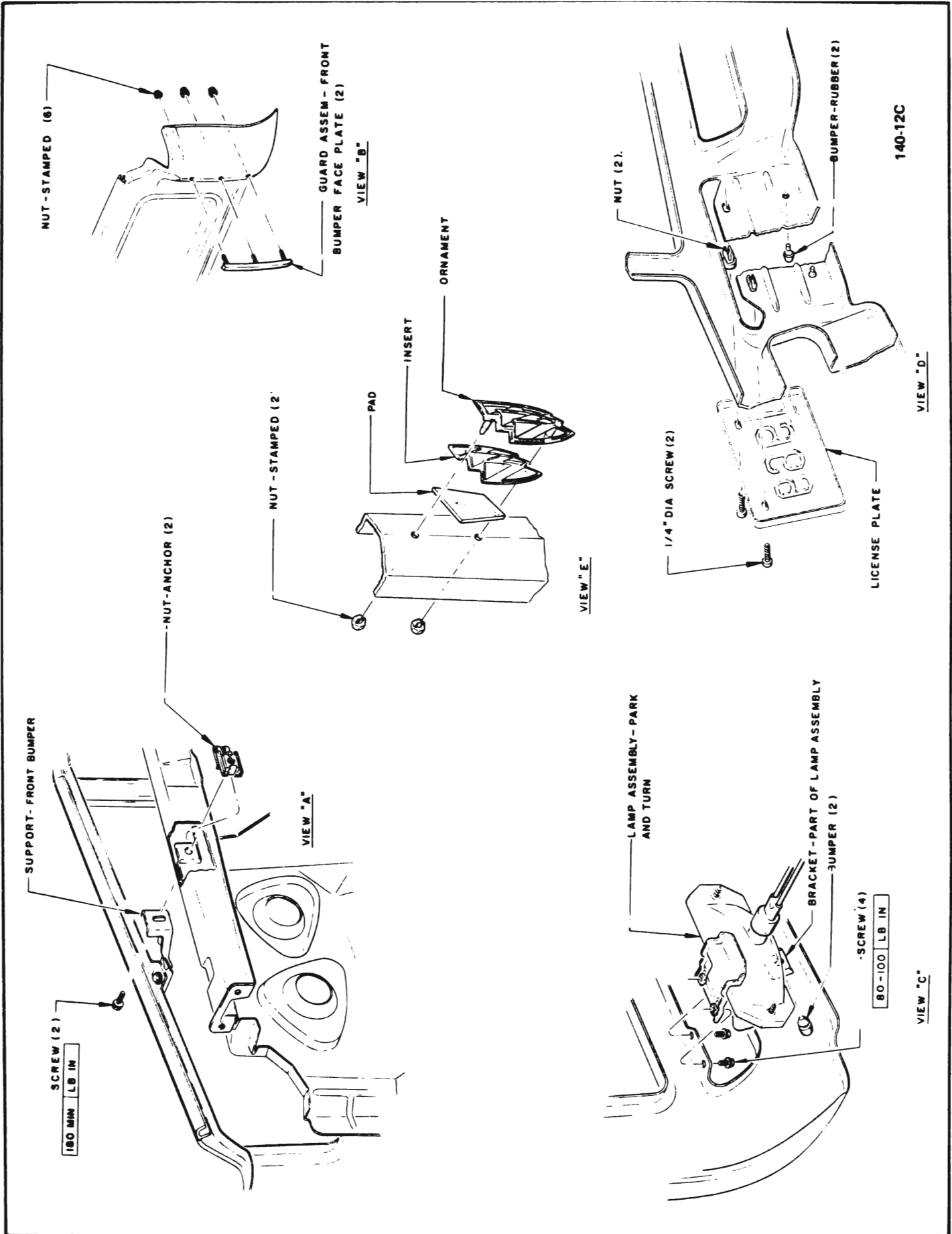


Figure 140-6 - 45-46-48000 Front Bumper

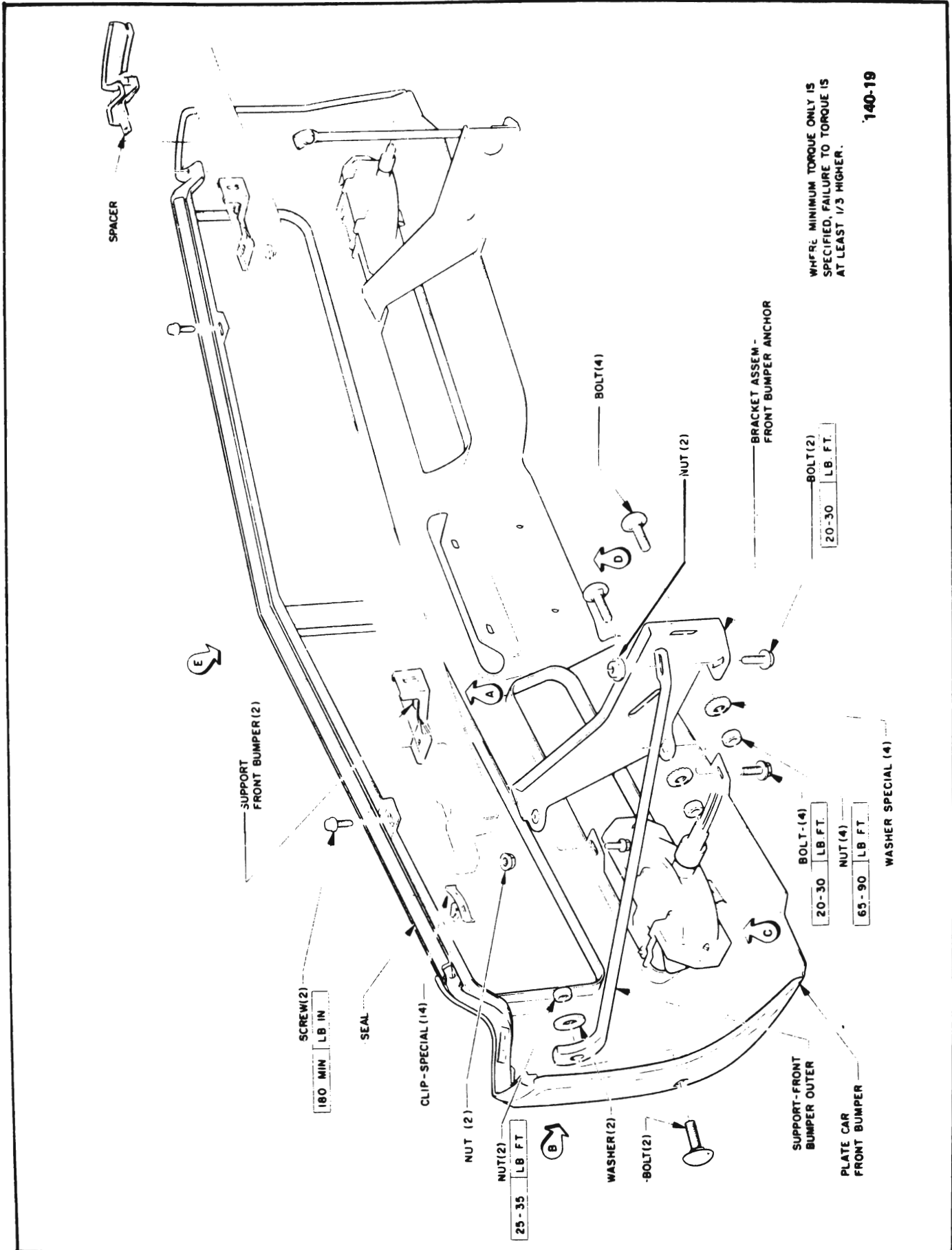


Figure 140-7 - 45-46-48000 Front Bumper

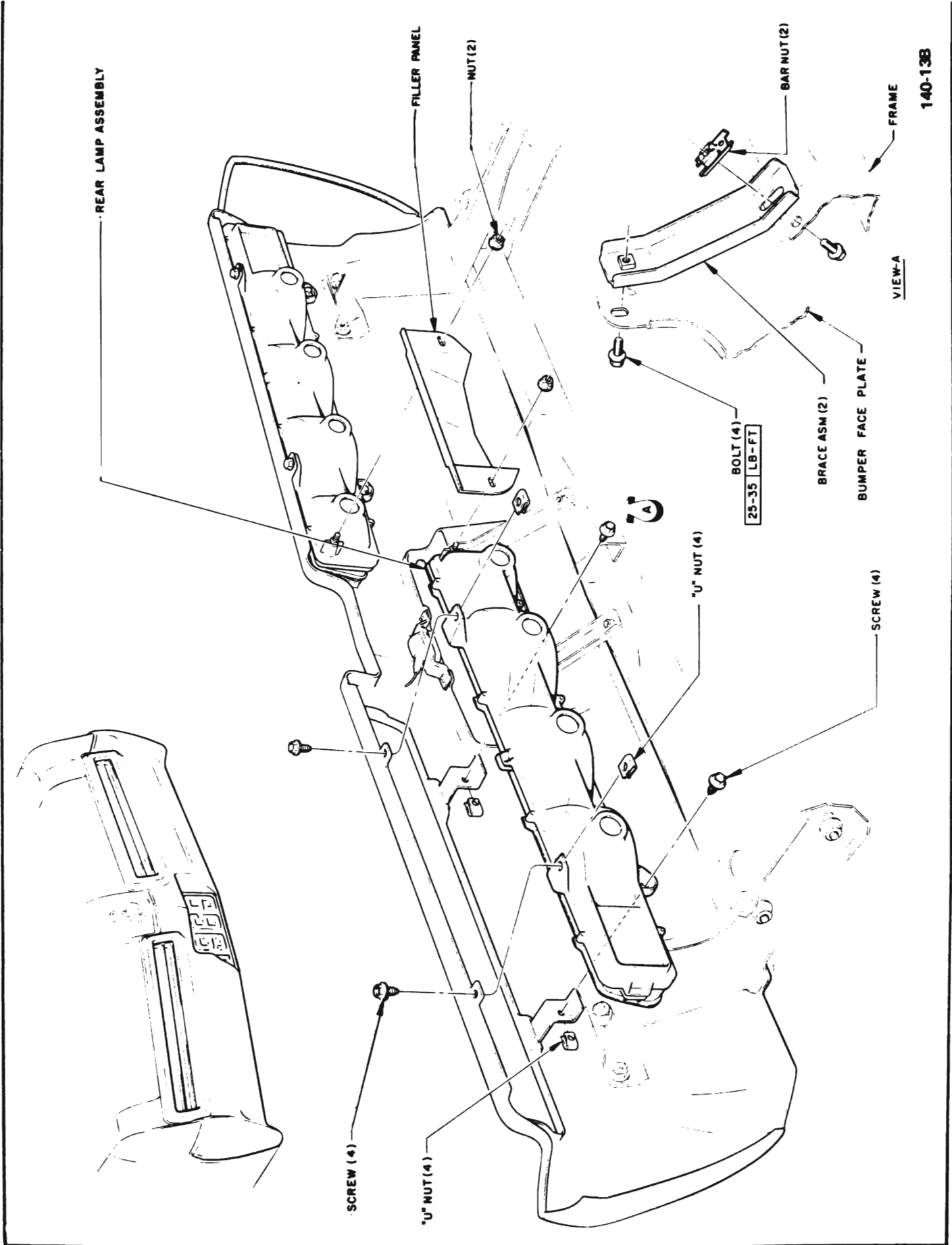
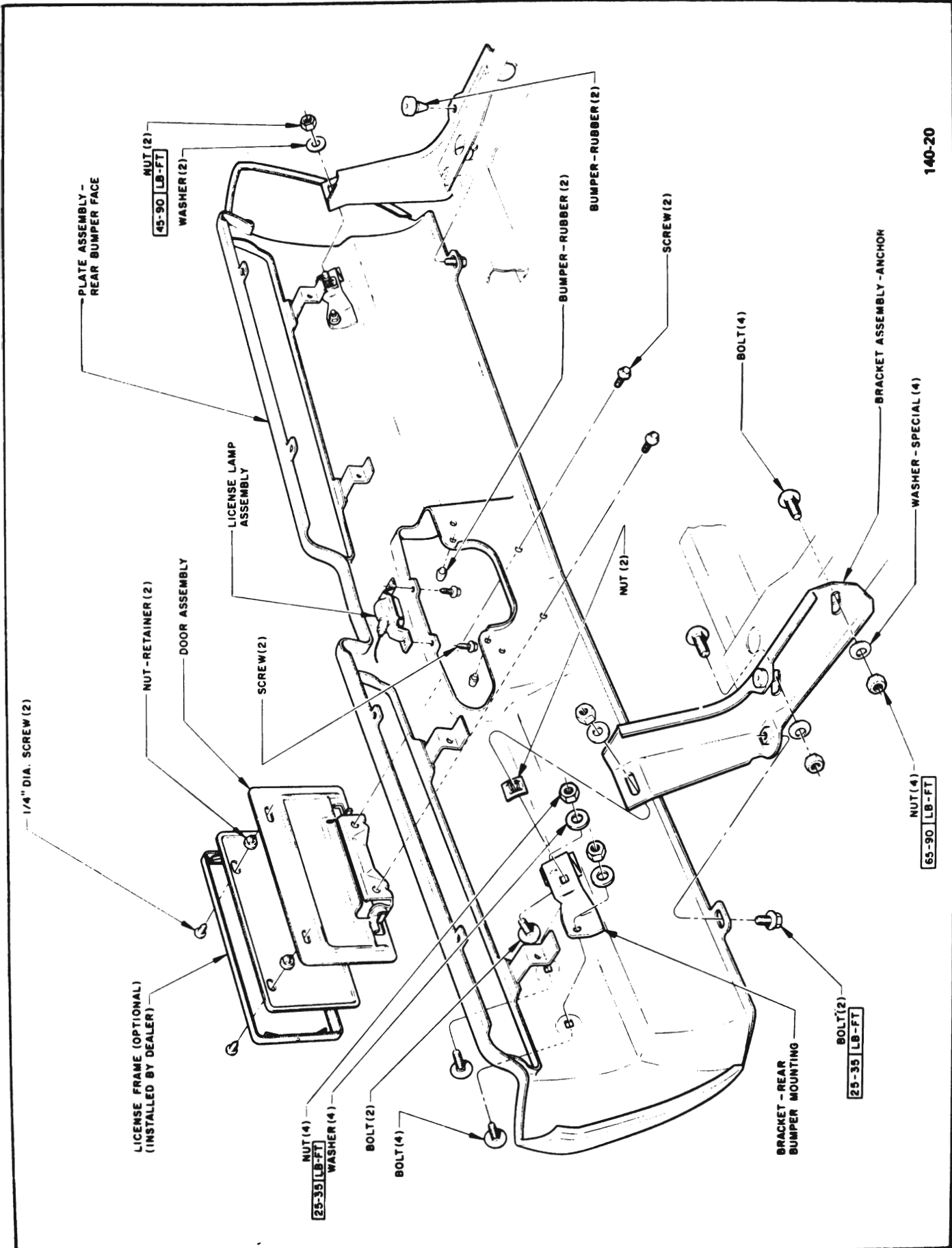


Figure 140-8 - 45-46000 Rear Bumper



140-20

Figure 140-9 - 45-46000 Rear Bumper

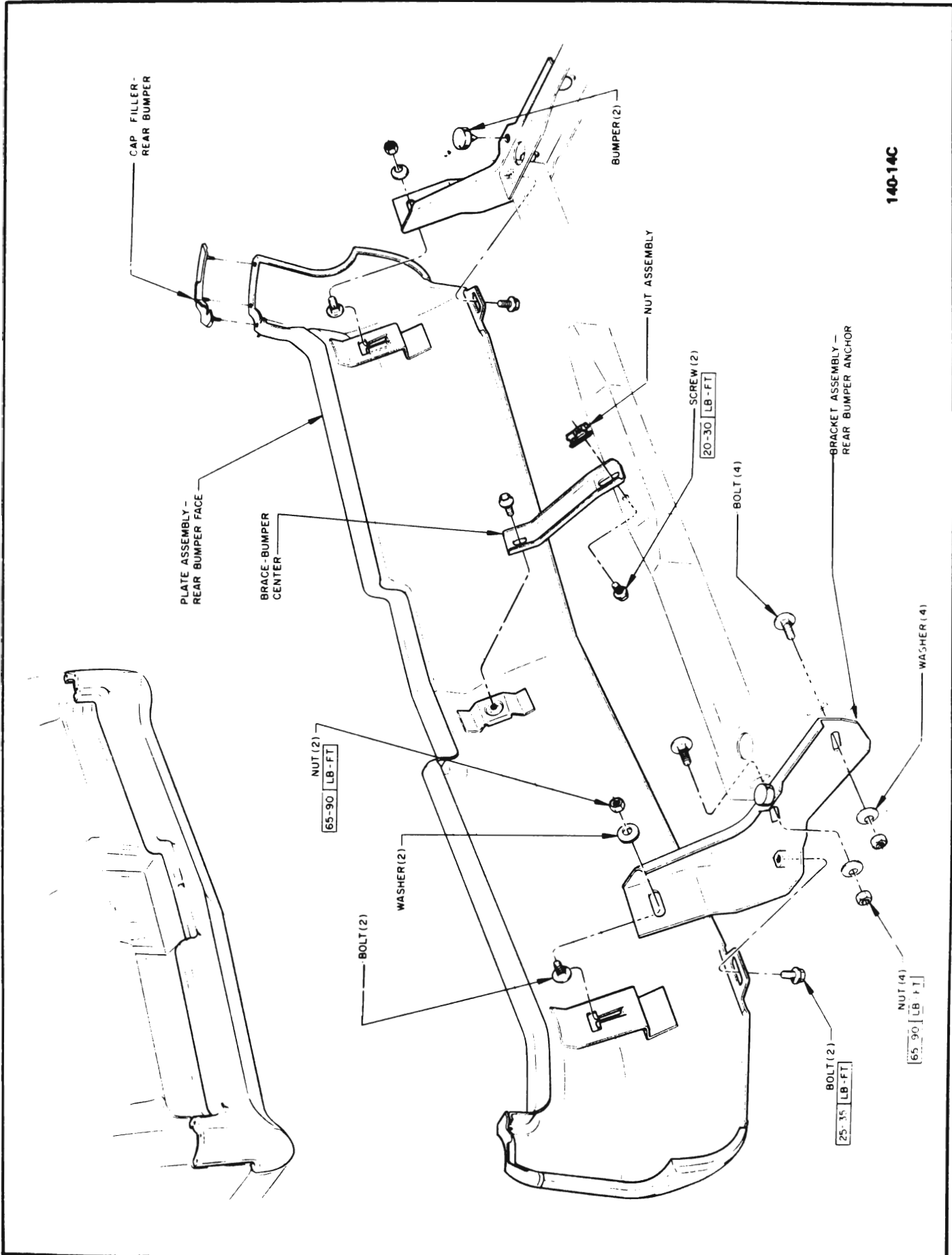


Figure 140-10 : 48000 Rear Bumper