

SECTION C

49000 RADIATOR AND GRILLE

CONTENTS

Division	Subject	Paragraph
I	SPECIFICATIONS AND ADJUSTMENTS: Radiator Mounting	130-3
II	DESCRIPTION AND OPERATION:	
III	SERVICE PROCEDURES: Removal and Installation Obvious Upon Inspection. See Illustrations.	
IV	TROUBLE DIAGNOSIS:	

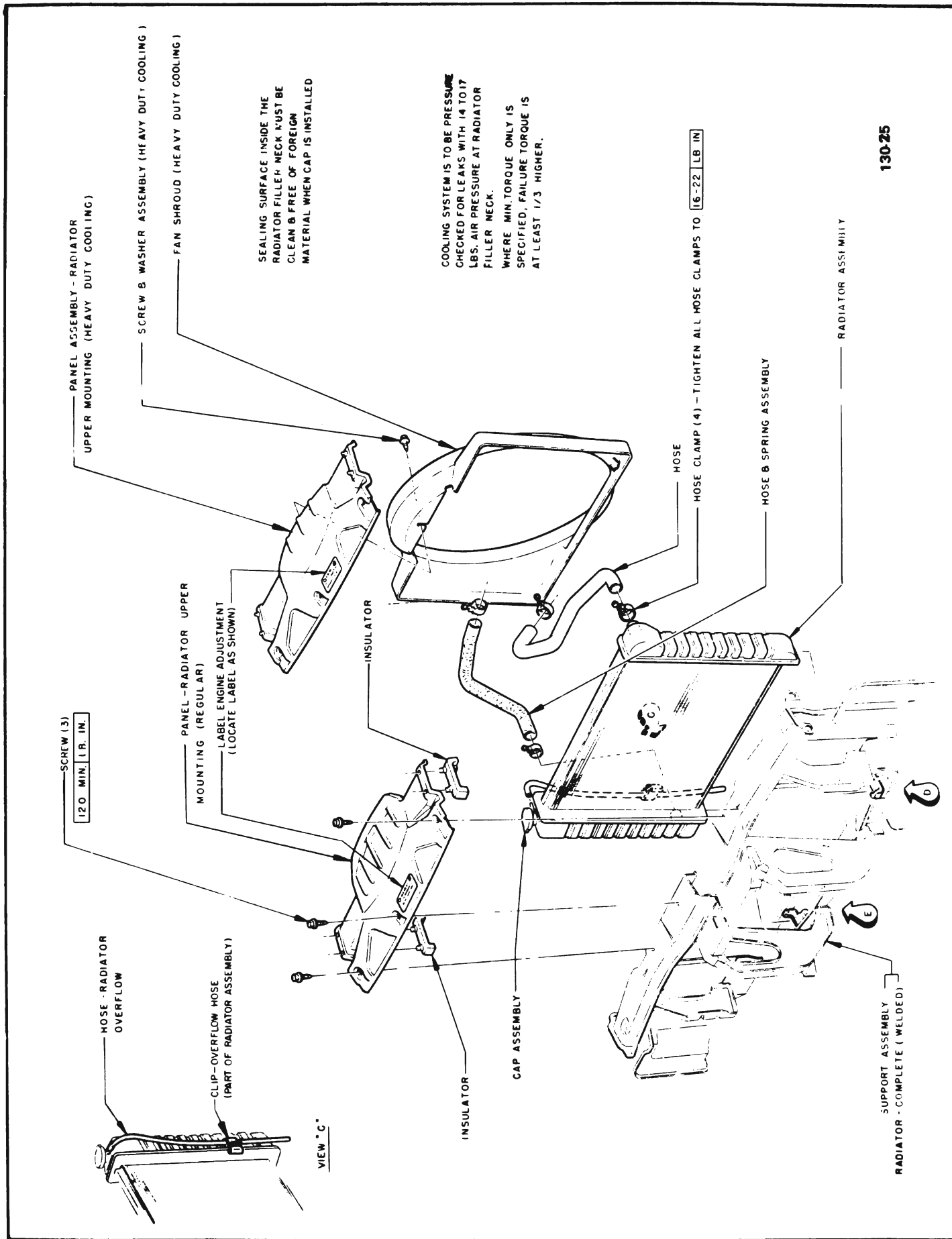
DIVISION I SPECIFICATIONS AND ADJUSTMENTS

130-3 RADIATOR MOUNTING

The radiator mounting is a four-point system using rubber inserts on "U" shaped brackets (for the lower mounting). The upper brackets are part of the upper radiator mounting panel. The lower brackets mount on the lower portion of the radiator mounting panel.

INDEX OF ILLUSTRATIONS

Figure Number	Description	Page
130-7	49000 Radiator, Fan Shroud.....	130-11
130-8	49000 Grille, Support, Headlamp and Actuator.....	130-12
130-9	49000 Headlamp Support, Grille Door and Headlamp Door.....	130-13
130-10.....	49000 Hood Latch and Support, Radiator Mounts.....	130-14



130-25

Figure 130-7 - 49000 Radiator, Fan Shroud

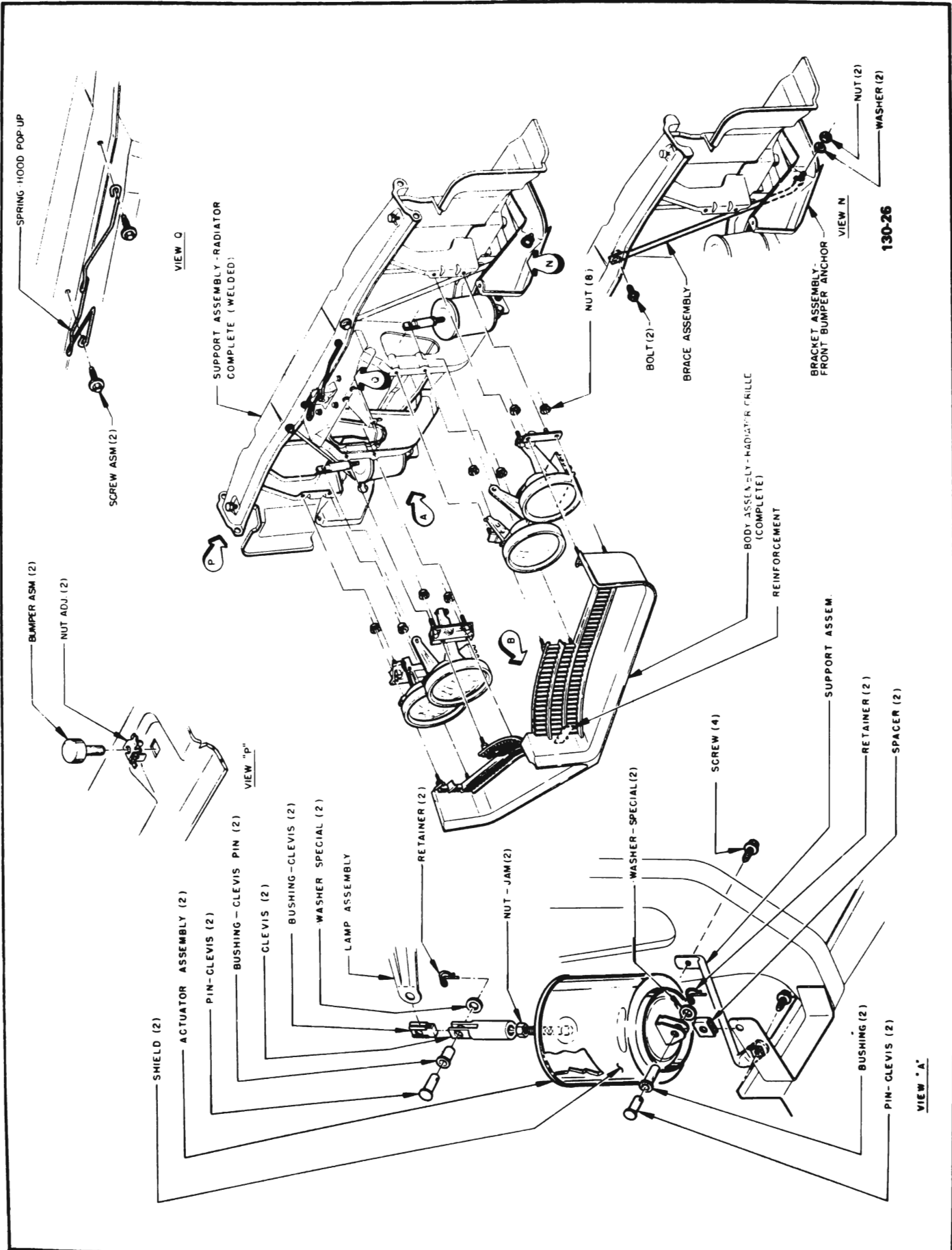


Figure 130-8 - 49000 Grille, Support, Headlamp and Actuator

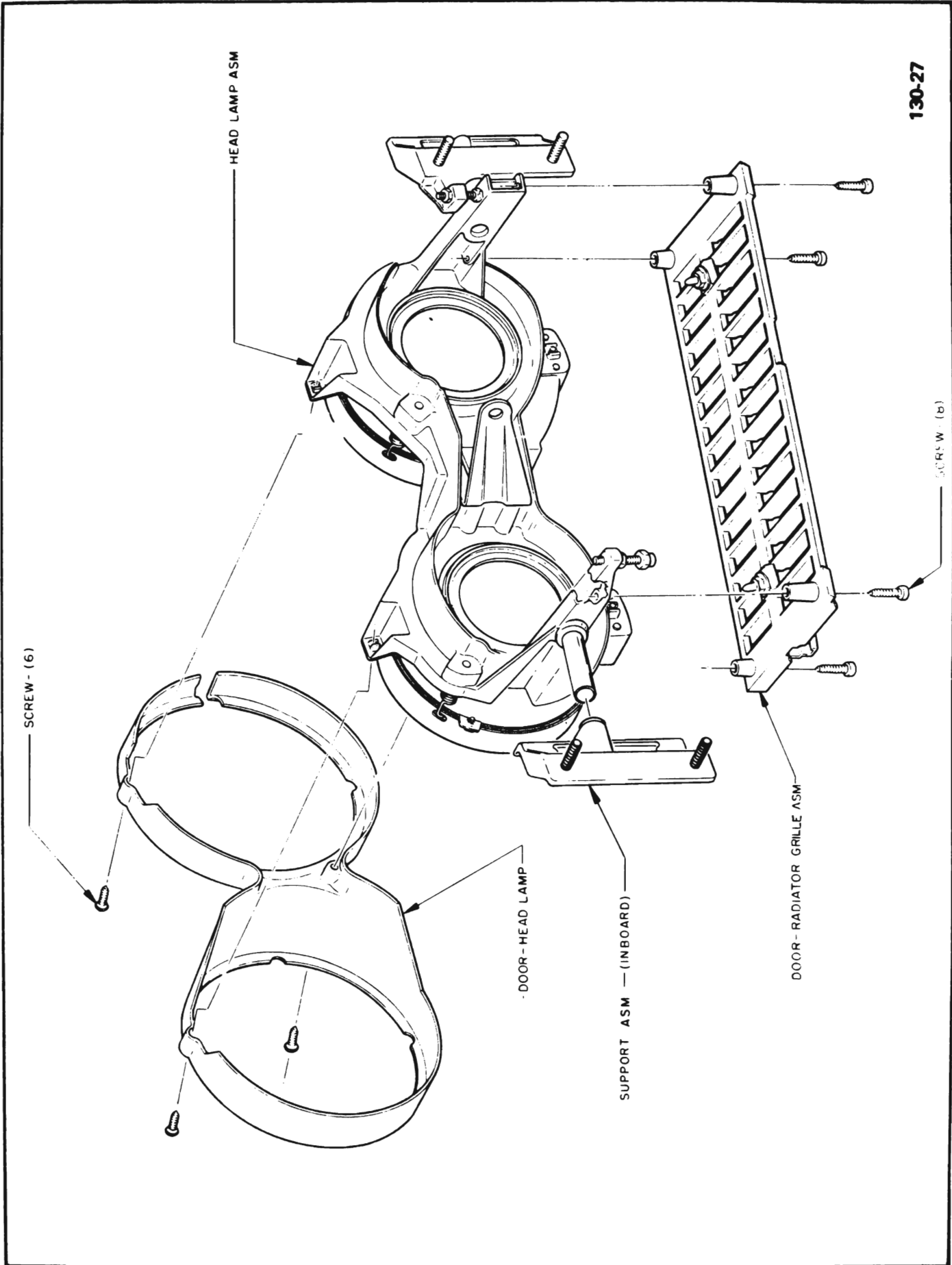


Figure 130-9 - 49000 Headlamp Support, Grille Door and Headlamp Door

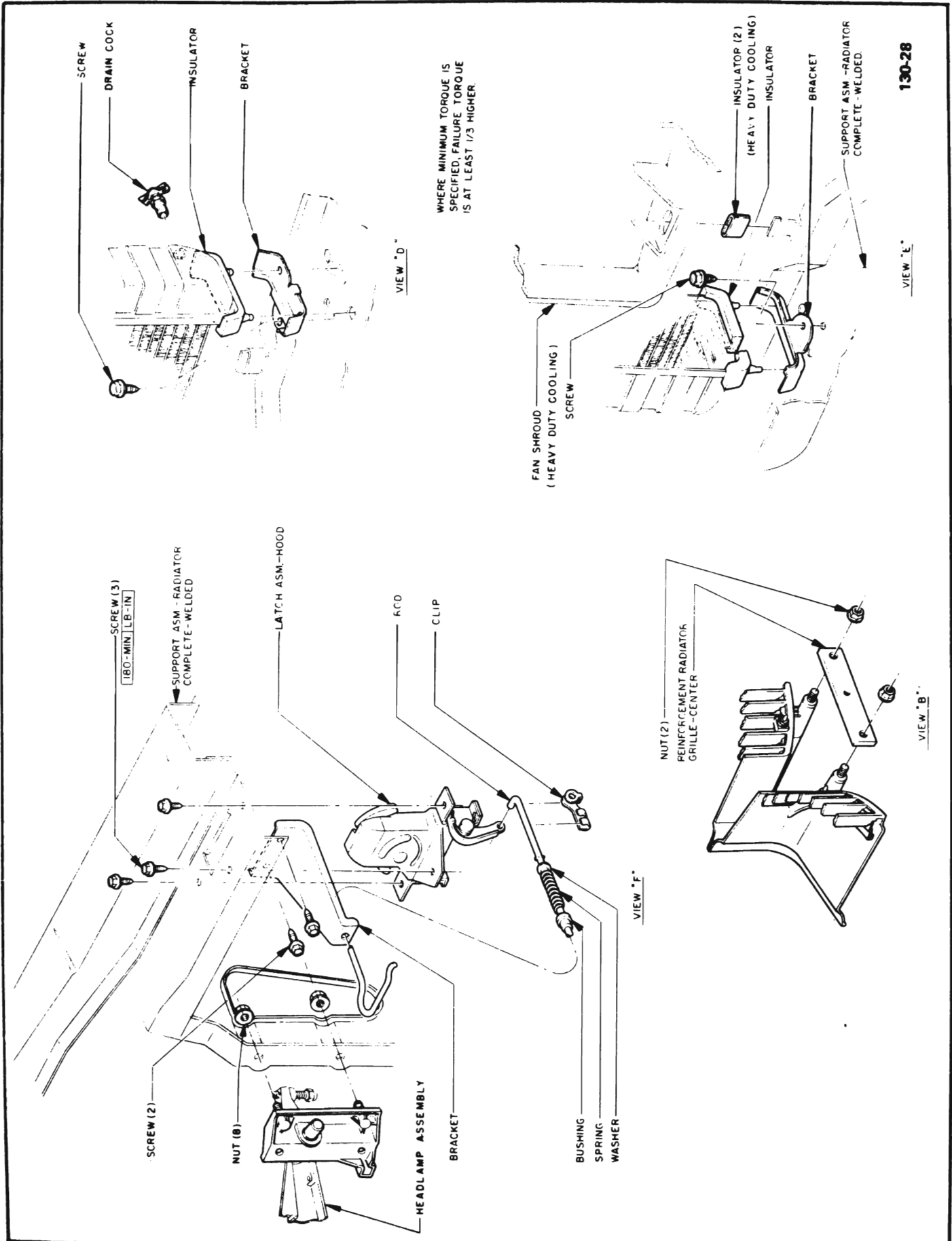


Figure 130-10 - 49000 Hood Latch and Support, Radiator Mounts