

SECTION B

POWER STEERING GEAR AND PUMP

ALL SERIES

CONTENTS

Division	Paragraph	Subject	Page
I	90-8	SPECIFICATIONS AND ADJUSTMENTS	
	90-9	Power Steering Gear and Pump Specifications	90-10
II	90-10	Adjustment of Power Steering Gear	90-11
	90-11	DESCRIPTION AND OPERATION	
III	90-12	Description of Power Steering Gear and Pump	90-12
	90-13	Operation of Power Steering Gear	90-17
	90-12	SERVICE PROCEDURES	
	90-13	Removal and Installation of Pitman Shaft Seals, Steering Gear and Oil Pump	90-19
	90-14	Disassembly, Inspection and Reassembly of Adjuster Plug Assembly and Rotary Valve Assembly	90-25
	90-15	Disassembly, Inspection and Reassembly of Pitman Shaft Assembly	90-29
90-16	Disassembly, Inspection and Reassembly of Rack-Piston Nut and Worm Assembly	90-30	
90-17	Removal and Installation of Oil Pump Shaft Seal with Pump Not Disassembled	90-34	
90-17	Disassembly, Inspection and Reassembly of Oil Pump . .	90-34	
IV	90-18	TROUBLE DIAGNOSIS	
		Trouble Diagnosis	90-37

DIVISION I—SPECIFICATIONS AND ADJUSTMENTS

90-8 POWER STEERING GEAR AND PUMP SPECIFICATIONS

a. Tightening Specifications

Use a reliable torque wrench to tighten the parts listed to insure proper tightness without straining or distorting parts. These specifications are for clean and lightly lubricated threads only. Dry or dirty threads produce increased friction which prevents accurate measurements of tightness.

Part	Location	Thread Size	Torque Ft. Lbs.
Bolt	Gear Side Cover to Housing	3/8-16	30
Stud	Pump Reservoir to Housing	3/8-16	30
Bolt	Gear Housing to Frame	7/16-14	65
Union	Pump Pressure Outlet	5/8-18	25
Nut	Pulley to Pump Shaft	1/2-20	45
Nut	Rear Mounting Bracket to Pump	3/8-16	30
Nut	Lash Adjuster Lock	7/16-20	25
Plug	Rack Piston Nut End	1 5/16-16	80

b. Steering Gear Specifications

Items	Specifications
Gear Type	Recirculating Ball Nut and Worm
Make	Saginaw
Ratio, Gear Only	17.5 to 1
Ratio, Overall (Including Linkage)	20.5 to 1
Effort Necessary at Wheel Rim for Initial Hydraulic Assist	Approx. 1 lb.
Effort Necessary at Wheel Rim for Full Hydraulic Assist	Approx. 3 1/4 lbs.
Turns of Steering Wheel, Left to Right (Gear Connected)	3 1/2
Steering System Oil Type	Buick Power Steering Oil (or equivalent)
Steering System Oil Capacity (Dry)	1 1/4 qts.
Worm and Rack-Piston Nut Balls - No. and Diameter	11 Black, 11 Plain, 6 Sizes Plain From .28117 (Code 6) to .28157 (Code 11) by .00008th
Adjustments	See Par. 90-9

c. Pump Specifications

Pump Capacity, Gal./Min. @ 465 RPM (Pump) x 665/735 psi	
250, 350 and 400 Cu. In. Engine	1.25 Minimum
430 Cu. In. Engine	1.75 Minimum
Relief Valve Opening Pressure, psi	1100 to 1200
Pump Test Pressure, Min. psi @ 525 RPM (Engine) and 170°F. Oil Temperature	1000 Minimum

90-9 ADJUSTMENT OF POWER STEERING GEAR

a. Adjustment of Power Steering Gear in Car

IMPORTANT:

Thrust bearing preload and worm to rack piston nut ball preload have little effect on handling. The most important gear adjustment affecting handling is the pitman shaft "overcenter" preload. The "overcenter" adjustment is made without removing gear from car. Thus on handling complaints this adjustment should be checked and corrected and car road tested before removing gear to change thrust bearing preload or ball preload.

1. Remove pitman arm from pitman shaft. See Figure 90-28.

NOTE:

Never attempt to adjust steering gear with pitman arm connected to pitman shaft.

2. Loosen lash adjuster lock nut and thread adjusting screw out to the limit of its travel through the side cover. Then turn screw back in 1/2 turn.

3. Remove cap or bar from steering wheel. See Figures 90-82, 90-83 or 90-84.

4. Turn steering wheel slowly through its full travel to check for binding, tight spots or uneven action. Count number of times required to rotate steering wheel from stop to stop. Place wheel in its center position.

5. Attach torque wrench J-5853 to steering wheel retaining nut and record the torque required to turn the wheel steadily through the center position. See Figure 90-2.

6. Adjust lash adjuster so that torque reading is 4 to 8 pound inches higher than was obtained in Step 5.

7. Tighten lash adjuster lock nut to 30 lb.ft. Recheck reading to be sure it was not changed.

Total overcenter torque should be between 15-20 pound inches.

8. Install pitman arm and torque nut to 140 lb. ft.

b. Adjustment of Power Steering Gear Out of Car

1. This adjustment is made when the gear is completely

assembled and with gear on bench.

2. Loosen adjuster plug lock nut and back off adjuster plug approximately 1/8 turn with adjustable spanner wrench J-7624.

Attach torque wrench J-5853 with 3/4 inch 12 point socket to stub shaft and turn shaft to approximately 1/2 turn from either extreme. Slowly rotate wrench in an arc approximately 60° (1/6 turn) in both directions several times to measure valve drag and record highest reading. See Figure 90-14. Then tighten adjuster plug until thrust bearing preload is 1 to 3 pound inches in excess of drag measured with adjuster plug backed out. Total of thrust bearing preload and valve drag should not exceed 11 pound inches.

3. Turn stub shaft 1/2 to 3/4 of a turn off "high-point" (center position) of gear. Worm to rack ball preload is checked with gear in this position.

NOTE:

It is not necessary to back off pitman shaft lash adjuster to check ball preload when

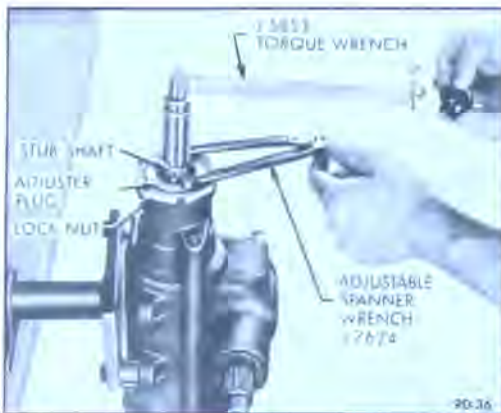


Figure 90-14 Adjusting Thrust Bearing Preload

gear is positioned as instructed in Step 4.

4. Check the pull required to turn stub shaft. The reading should be 1 to 5 pound inches higher than total reading obtained in Step 3. If reading is not within specification it will be necessary to readjust ball preload between worm and rack-piston nut.

5. If readings are within specifications, check and adjust if necessary, pitman shaft "overcenter" adjustment. Reading on torque wrench should be 4 to 8 pound inches higher than was obtained in Step 4. See Figure 90-15. This reading is taken when rotating stub shaft through "highpoint" range (a minimum



Figure 90-15 Pitman Shaft Overcenter Adjustment

of 180° each side of center) with lash adjuster nut tight.

Torque required should be between 14-18 pound inches. If "overcenter" adjustment is not within specification, readjust following procedure in Steps 2, 6 and 7 in paragraph 90-9, subparagraph a.

DIVISION II

DESCRIPTION AND OPERATION

90-10 DESCRIPTION OF POWER STEERING GEAR AND PUMP

The rotary valve power steering gear gives precise, positive steering with very little driver effort. Initial hydraulic assist is obtained with approximately .3 degrees of steering wheel rotation and one pound of effort at the steering wheel rim. Full hydraulic assist is obtained with approximately 4 degrees of wheel rotation and 3-1/4 pounds of effort at the wheel rim.

The hydraulic pump is used to supply oil under pressure to operate the steering gear. The housing of the pump is enclosed in a reservoir which minimizes the possibilities of external leakage.

The effort required at the steering wheel rim is limited to a maximum of approximately 3-1/4 pounds for normal steering and parking conditions.

When the engine is not running or if any part of the power mechanism is inoperative the steering gear will operate manually giving the driver full control of the car.

The driver's effort on the steering wheel is always proportional to the force necessary to turn the front wheels. When the effort on the wheel drops to less than one pound, power assistance ceases.

a. Power Steering Gear Assembly

The upper end of the pitman shaft has a gear sector

meshing with a rack-piston nut. The one-piece rack-piston nut serves as a nut for the recirculating balls and as a power piston to which the oil under pressure is applied. The rack-piston nut has a Teflon piston ring with a back-up "O" ring under it located on its lower outside diameter which serves as a seal between the rack-piston nut and its cylinder gear housing.

All Series power steering gears are basically the same except for the following differences:

1. Wildcat, Electra, and Riviera gears have a snap ring located at the upper end of the housing which serves as a stop for the rack piston assembly. See Figure 90-16.

2. Wildcat, Electra and Riviera steering gears have a larger diameter rack-piston assembly which is required on these heavier cars to give the desired steering effort. This necessitates the use of a different housing.

3. The Wildcat and Riviera GS Models steering gears use a different rack-piston and worm assembly due to the different steering ratio.

A worm shaft turns in the rack-piston nut using the selectively fitted steel balls as a rolling thread. The ball groove is more shallow in the center of the worm so that when the proper size balls are used, there is a slight worm to rack-piston nut preload in the straight-ahead position.

Worm shaft radial loads are transmitted to the gear housing through the rack-piston nut. Worm shaft end thrust is caused by the tendency of the worm to thread itself into or out of the rack-piston nut as the steering wheel is turned right or left. This end thrust is absorbed entirely by the upper and lower thrust bearings. The upper thrust bearing is located between the valve body and adjuster plug and the lower thrust bearing is located between the housing and upper end of worm.

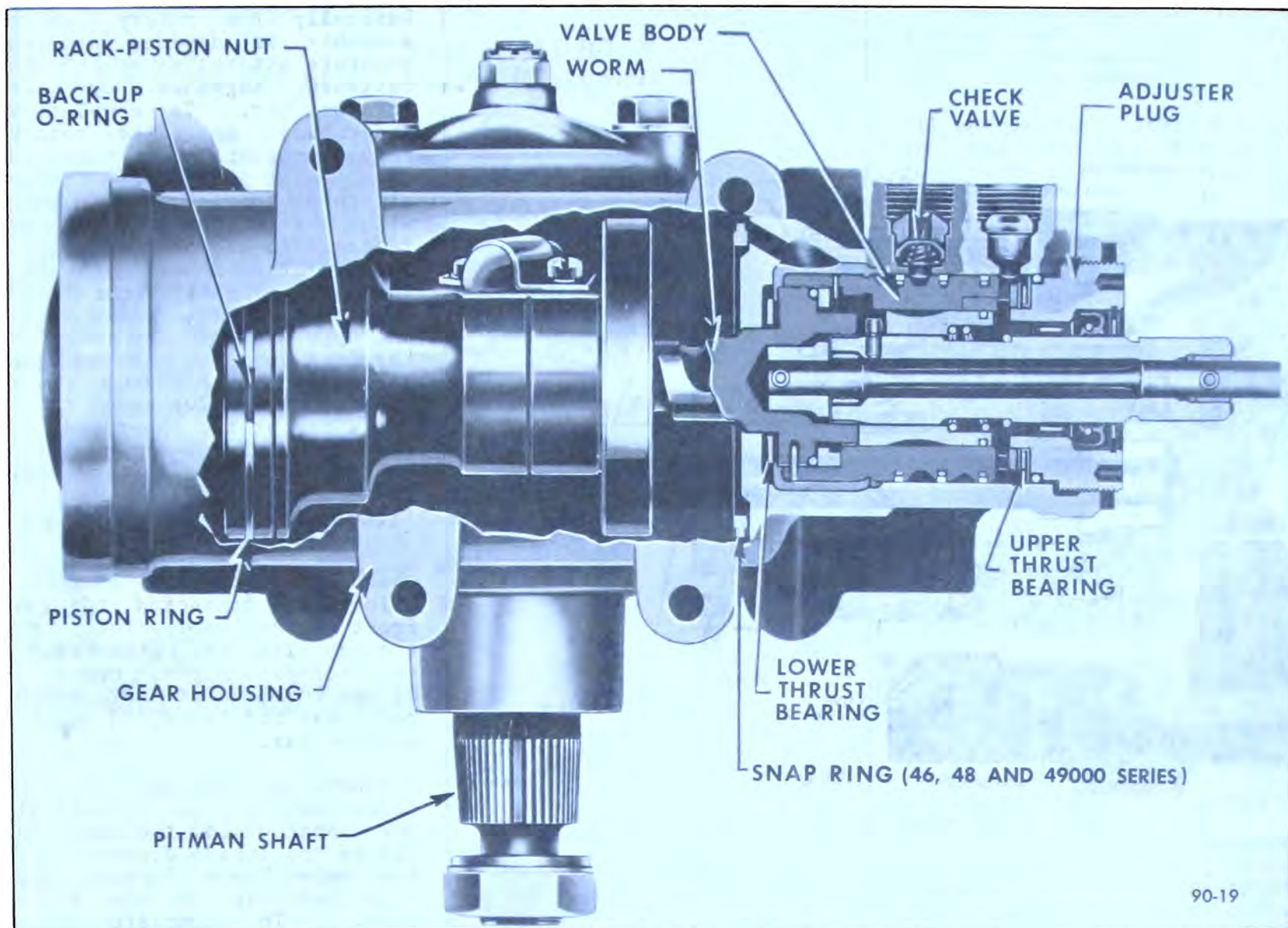


Figure 90-16 Power Steering Gear

The steering shaft is connected to the power steering gear through a flexible coupling which is bolted to the steering shaft flange. This flexible coupling helps absorb minor shocks and vibrations and dampens out hydraulic noises and gear assembly and steering column jacket assembly vibrations.

b. Rotary Valve Assembly

The rotary valve assembly controls the flow of oil from the pump to the proper side of the rack-piston nut when power assistance is required and cuts off this flow when power assistance is not required.

The rotary valve assembly is located in the upper section of the gear housing and consists of a stub shaft, a torsion bar, a valve body, a

valve spool and a valve body cap. See Figure 90-17. The stub shaft is attached to the steering shaft through the flange assembly. The lower flange is splined to a stub shaft and is retained by a pinch bolt. The torsion bar is located in the center of the stub shaft. The valve spool is an open center valve and is positioned on the lower end of the stub shaft. The valve body encloses the valve spool. The valve body cap is located at the lower end of the valve body.

The valve body has two large oil grooves around its outside diameter. Each groove has four holes drilled into the inside diameter of the valve body. The lower groove is lined up with the pressure port in the gear housing. The upper groove is lined up with a drilled passage in the

housing which directs oil to the right turn chamber in the housing, located at the lower end of the rack-piston nut. Three valve body Teflon rings provide leakproof seals for the oil grooves on the valve body. The inside diameter of the valve body has eight slots machined in it, four are connected to the pressure groove by the four drilled holes. See Figure 90-18. The other four slots, which are wider, are connected to the return port in the housing through the valve spool. Near the center of the valve body are four other drilled holes which are used to direct oil to a passage in the housing that opens to the left turn chamber. This chamber is located at the upper end of the rack-piston nut.

The valve spool which fits inside the valve body may have

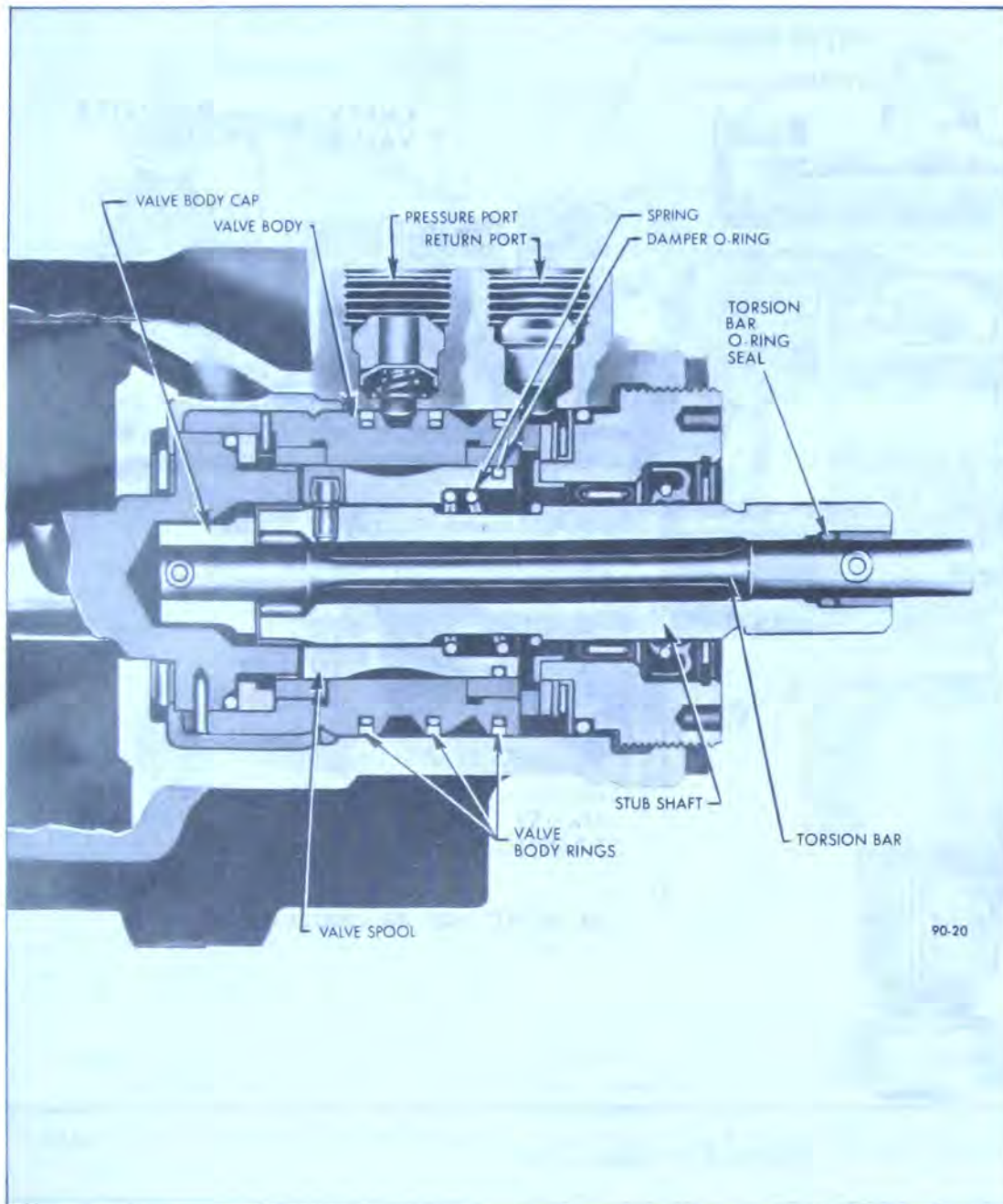


Figure 90-17 Rotary Valve Assembly

an outside diameter as close as only .0004 in. smaller than

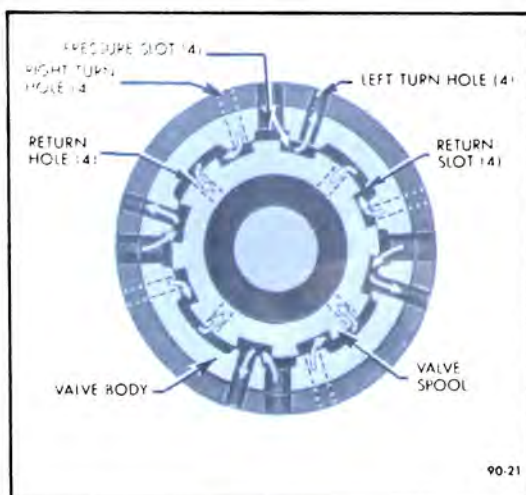


Figure 90-18 Rotary Valve - Left Turn (Upper End View)

the inside diameter of the valve body. This close fit allows very little, if any, oil flow between the two surfaces. The valve spool has four holes drilled near the upper end of it which are in line with the four return slots in the valve body. These holes allow oil to flow from the return slots in the valve body to the center of the spool and on to return port in the housing. The outside diameter of the spool has eight slots machined on it, four are for opening the right turn holes in the valve body to the pressure slots or to the return slots in the valve body. The other four slots on the spool serve the same function for the left turn holes in the valve body.

Basically the rotary valve assembly is divided into two separate assemblies which are fastened together by the torsion bar. To completely understand how the rotary valve functions, it must be known what parts are firmly attached together. Starting with the stub shaft which is fastened to the steering wheel through the steering shaft, the first assembly consists of the stub shaft, valve spool and upper end of the torsion bar. A pin on the outside diameter of the stub shaft retains the valve spool to it and a pin at the upper end of the stub shaft attached the upper end of the torsion bar and shaft together. See Figure 90-20.

The balance of the assembly which is connected to the front wheels of the car through linkage, pitman shaft and rack-piston nut, consists of the worm, valve body, valve body cap and lower end of the torsion bar.

The worm is attached to the valve body by a pin located at the upper end of the worm. A pin on the inside diameter of the valve body fastens the valve body cap to the valve body. To complete this assembly, a pin attaches the valve body cap to the lower end of the torsion bar. When there is resistance to turning between the roadbed and the wheels of the car, the parts attached to the worm will also resist turning. Thus when the steering wheel is turned by the driver, the torsion bar will deflect and allow the stub shaft and valve spool to rotate with the steering wheel. When this occurs, the relationship between the valve spool and valve body is changed. The oil flow is directed by the slots on the valve spool through the holes in the valve body to the proper side of the rack-piston nut to assist the driver. The torsion bar deflection is limited to a predetermined amount. The upper end of the worm has two tangs which fit through slots in the valve body cap and into two slots in the end of the stub shaft. In case of a power mechanism failure, the stub shaft will

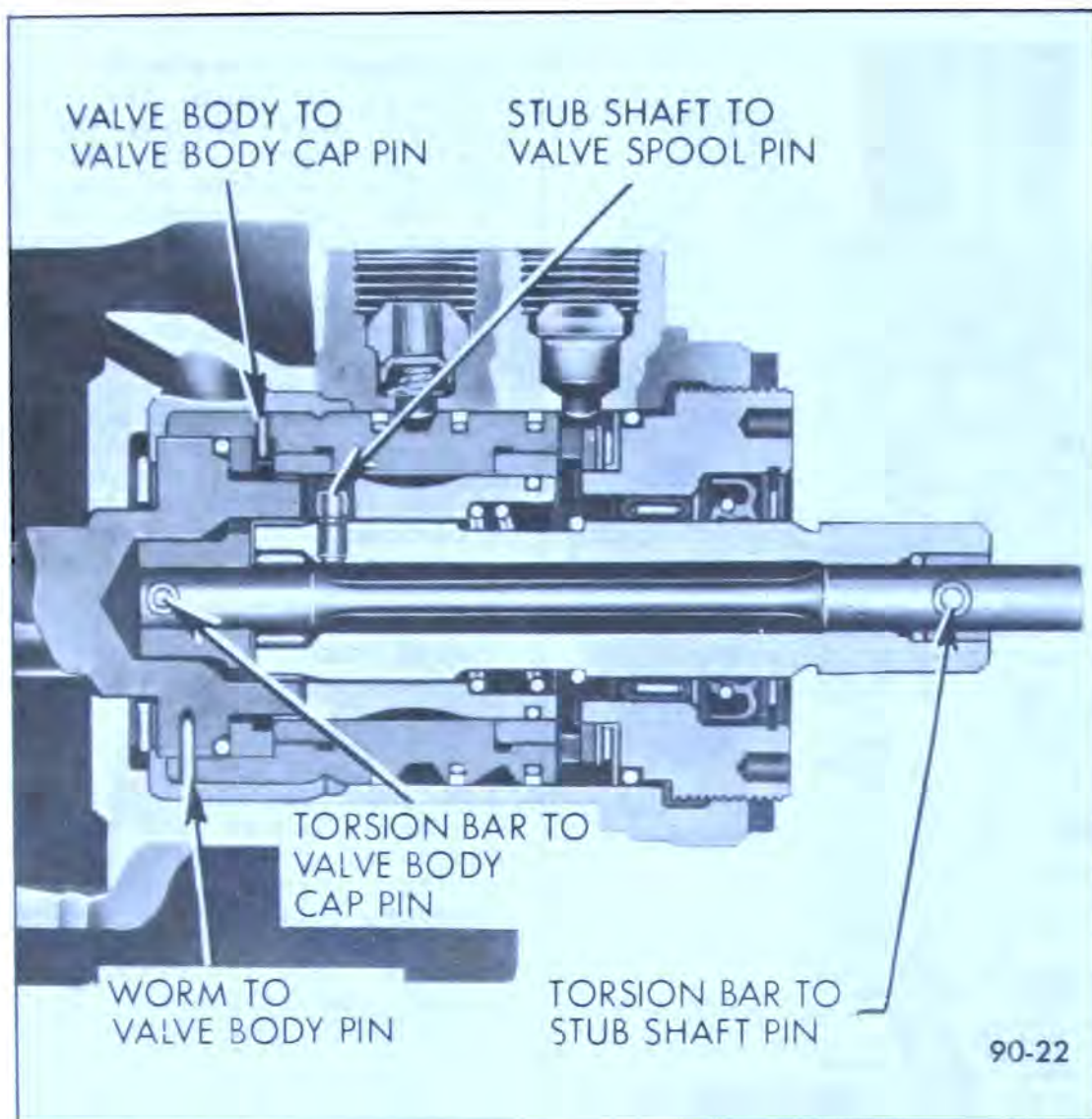


Figure 90-20 Attaching Pins For Valve Parts

contact the tangs of the worm and steering will be manual.

c. Oil Pump and Hoses

The oil pump, which is mounted on the engine in position to be driven by a belt from the crankshaft balancer, converts some engine power into oil pressure which is used against the rack-piston nut to rotate the pitman shaft.

Two different pump assemblies are provided for the 1968 Models. These pumps are identical except for the rotor, thrust plate, vanes, pump ring and pressure union.

The pump used on 430 cubic inch engines has a thicker rotor, pump ring and vane assembly for increased output.

The pump reservoir encloses the pump housing and provides a reserve supply of oil to assure complete filling of the

hydraulic system. See Figure 90-21.

The reservoir cap is vented which permits escape of any air that may be introduced into the system during assembly of the various units and maintains atmospheric pressure in the reservoir.

The pump housing encloses the flow control valve and the rotor assembly. The flow control valve and spring are retained in pump housing by the pressure union. See Figure 90-22. This allows servicing the flow control valve without removing pump from the engine. Inside the flow control valve is the pressure relief valve. Also in the end of the flow control valve is a filter screen which filters the oil that enters this valve. The pressure union which is the pump outlet, contains the pump exit hole and an orifice.

The rotor assembly consists of a drive shaft, a thrust plate, a rotor with ten vanes, a pump ring and a pressure plate.

Oil enters the rotor section of the housing through a reservoir hole in housing which is open to the surrounding reservoir.

The rotor which is loosely splined to the end of the drive shaft, is located adjacent to the face of the thrust plate and is enclosed by the pump ring. Some rotors have a pressed-in sleeve which fits through the thrust plate and keeps the rotor in alignment. The rotor vanes slide radially outward to contact the hardened and ground inside cam surface of the ring. See Figure 90-23.

As the shaft and rotor rotate, centrifugal force and fluid pressure against the inner ends cause the vanes to follow the cam contour of the ring. The cam surface is so shaped that two opposite pumping chambers are formed which cause a complete pumping cycle to occur every 180 degrees of rotation of the rotor. The pump ring has two crossover passages drilled in it, which transfer oil from the thrust plate into a discharge cavity located at the rear of the pressure plate.

When the engine is started, each pumping chamber picks up oil from two openings, one between the pressure plate and ring and the other between the thrust plate and ring. See Figure 90-21. The oil is then propelled by the decreasing pockets in each pumping chamber into the discharge cavity through an opening in the pressure plate and an opening in the thrust plate which is connected to the crossover passage in the ring. The oil flows from the discharge cavity into a passage which is open to the rear of the flow control valve and to the exit hole in one end of the pressure union. A certain quantity of oil flows through the outlet end of pressure union and on to the steering gear rotary valve assembly. Some oil flows through the orifice in the pressure union and into a

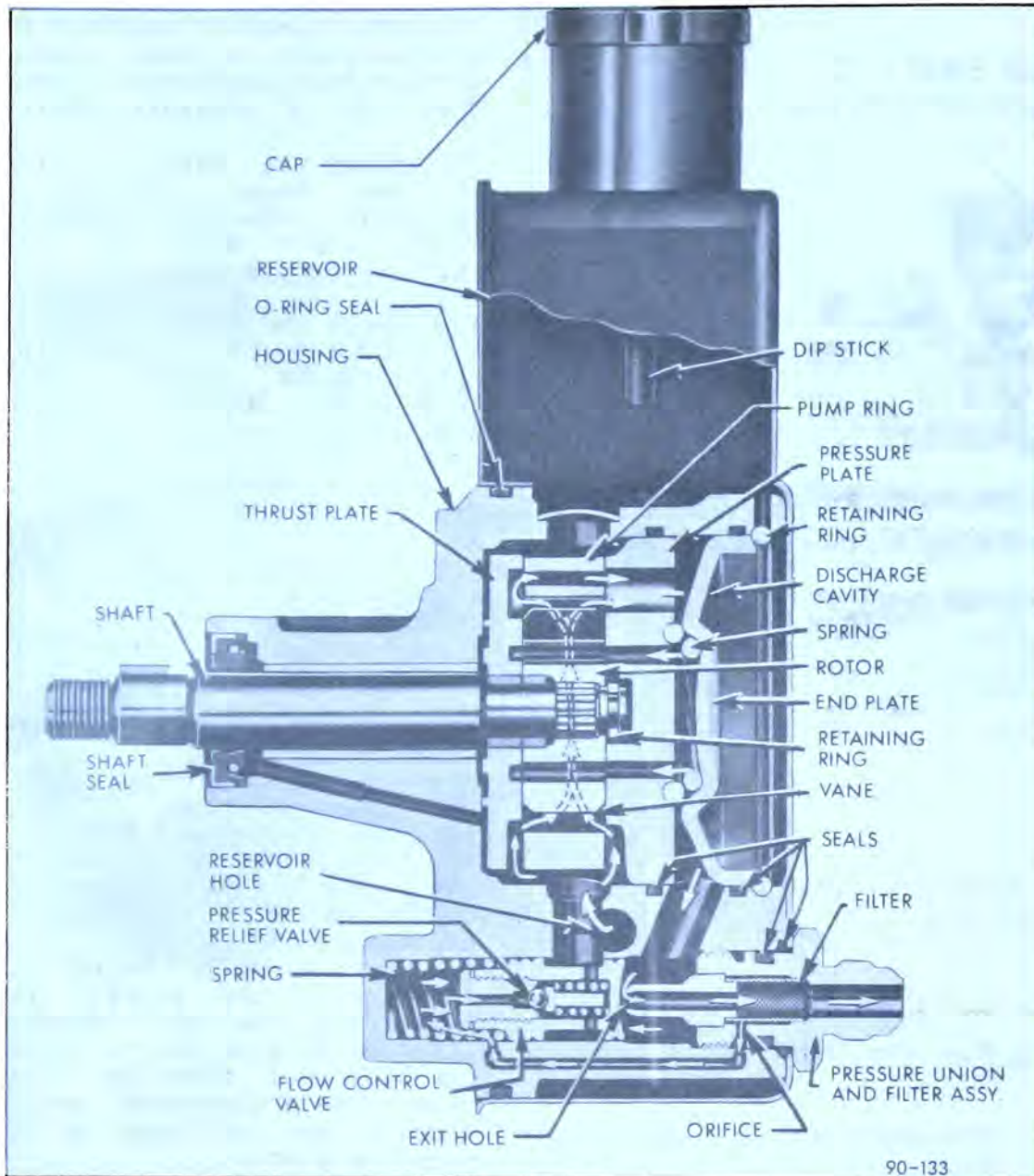


Figure 90-21 Oil Flow in Pump

passage in the pump housing which directs oil into the spring chamber located in front of the flow control valve.

Pressure in the discharge cavity is always greater than the pressure of the oil that has passed through the exit hole in the pressure union.

The flow control valve regulates the opening of a by-pass passage through which oil may be returned back to the suction and reservoir section of the pump.

When the pump is running without demand for steering pressure, pressure in the discharge cavity is great enough to push the flow control valve open against a

spring load of approximately ten pounds. See Figure 90-24. The pressure in the spring chamber tends to close the valve, but since pressure in the discharge cavity is always greater than in the spring chamber, the valve is not closed. The movement of the valve is controlled by the spring tension and the difference in pressure on the front and rear side of the valve.

When power steering is demanded and the steering gear rotary valve restricts free circulation of oil as described later (par. 90-10), the pump pressure builds up rapidly. As the pressure increases in the discharge cavity it also increases in the spring chamber and in turn

additional pressure is required to move the flow control valve to open the by-pass passage. The maximum amount of build-up of pressure by the pump depends on the amount of restriction through the gear which is controlled by the rotary valve. When power assistance is no longer required, the restriction through the gear is reduced to a predetermined minimum. With a small amount of restriction through the gear, the pressure in the spring chamber drops to a minimum value. Thus, the pressure in the discharge cavity also is reduced as this pressure is governed by the spring tension and the oil pressure present in the spring chamber of the pump.

If pump output pressure reaches 1100 to 1200 psi, the increased pressure in the spring chamber forces a pressure relief valve open and oil escapes from the spring chamber into the by-pass hole around the pressure relief valve ball. See Figure 90-24.

As oil pressure is relieved in the spring chamber, the high pressure in the pump discharge cavity overcomes the spring load to open the flow control valve. Because outlet pressure has to pass through an orifice to get into the spring chamber, the pressure in the spring chamber drops below outlet pressure for a fraction of a second. This allows the flow control valve to be open enough to lower line pressure to a safe level immediately. Oil is then pumped into the by-pass passage until the line pressure opposing the pump drops below the relief valve setting, permitting this valve to close. The flow control valve then resumes normal operation.

The flow control valve starts to open at 300-400 RPM of pump and is functioning when the pump is running 465 RPM (400 RPM of engine).

The minimum flow a 430 cubic inch engine pump must produce is 1.75 gallons per minute at

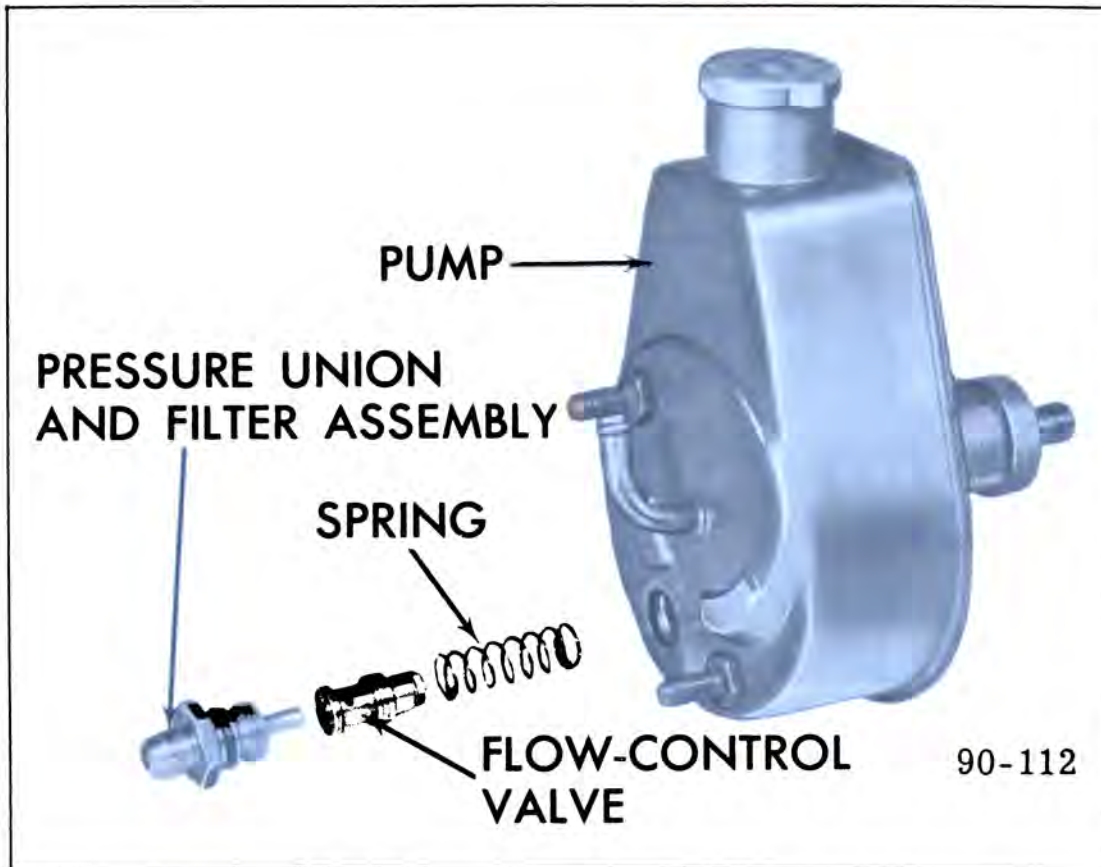


Figure 90-22 Flow Control Valve Installation

465 pump RPM against a pressure of 700 psi. The flow plunger permits a maximum flow of 2.8 gallons per minute at 1500 RPM against a pressure of 50 psi.

The minimum flow of L-6, 350, or 400 cubic inch engine pump must produce is 1.25 gallons per minute at 465 RPM against a pressure of 700 psi. The flow plunger permits a maximum flow of 2.15 gallons per minute at 1500 RPM against 50 psi. The pressure relief valve is set for 1100 to 1200 psi on both pumps.

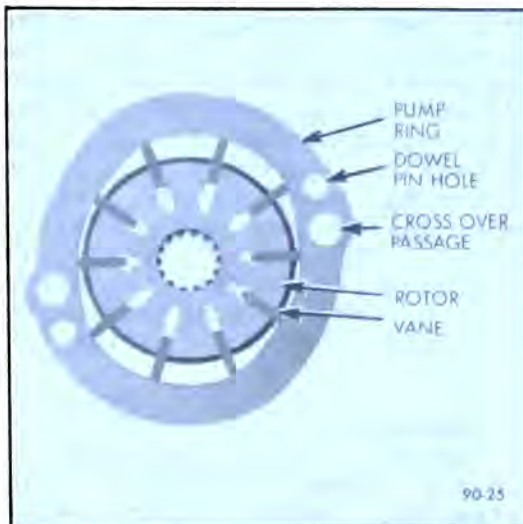


Figure 90-23 Pump Ring and Rotor

90-11 OPERATION OF POWER STEERING GEAR

a. Neutral or Straight-Ahead

Figure 90-25 shows the rotary valve in the neutral or straight-ahead position. Oil flows from the pump into the pressure port of the gear, through the open center valve spool and back to the pump reservoir through the return port. The slots on the valve spool are so positioned in the valve body that the oil entering through the pressure port is directed to the return slots in the valve body, then

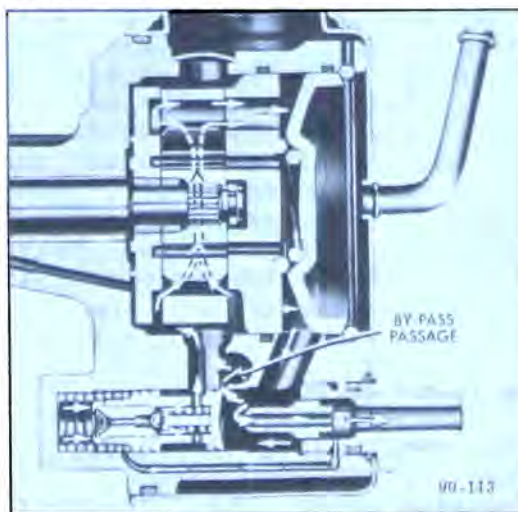


Figure 90-24 Flow Control Valve Operation

through the center of the spool which is open to the return port. There is no flow to either side of the rack-piston nut, but each side is full of oil at all times. In the straight-ahead position the pressure on both sides is equal. The oil acts as a cushion that absorbs road shocks so they are not transferred to the steering wheel, thus giving safer and more effortless driving. In addition, this oil lubricates all the internal components of the gear.

All passages in the gear are open in the straight-ahead position and the valve remains in this position at all times except when effort applied to the steering wheel is more than one pound. The rotary valve's open center position design reduces pump losses to a minimum by allowing a minimum of restriction to oil flow in the straight-ahead position.

b. Right Turn

Figure 90-26 illustrates the operation of the gear when the steering wheel is turned to the right. Due to the resistance of turning between the front wheels and the roadbed, the torsion bar is deflected, changing the relationship between the slots in the valve spool and the slots in the valve body. The right turn slots on the valve spool are closed off from the return slots in the valve body and are opened more to the pressure slots. The left turn slots of the spool are closed off from the pressure slots and opened more to the return slots. This causes oil to flow into the right turn chamber of the housing and force the rack-piston nut upward. As the rack-piston nut moves upward, it applies turning effort to the pitman shaft.

The oil in the left turn chamber in the housing is simultaneously forced out through the valve and back to the pump reservoir. The higher the resistance to turning between the roadbed and the car wheels, the more the position of the valve spool is changed in

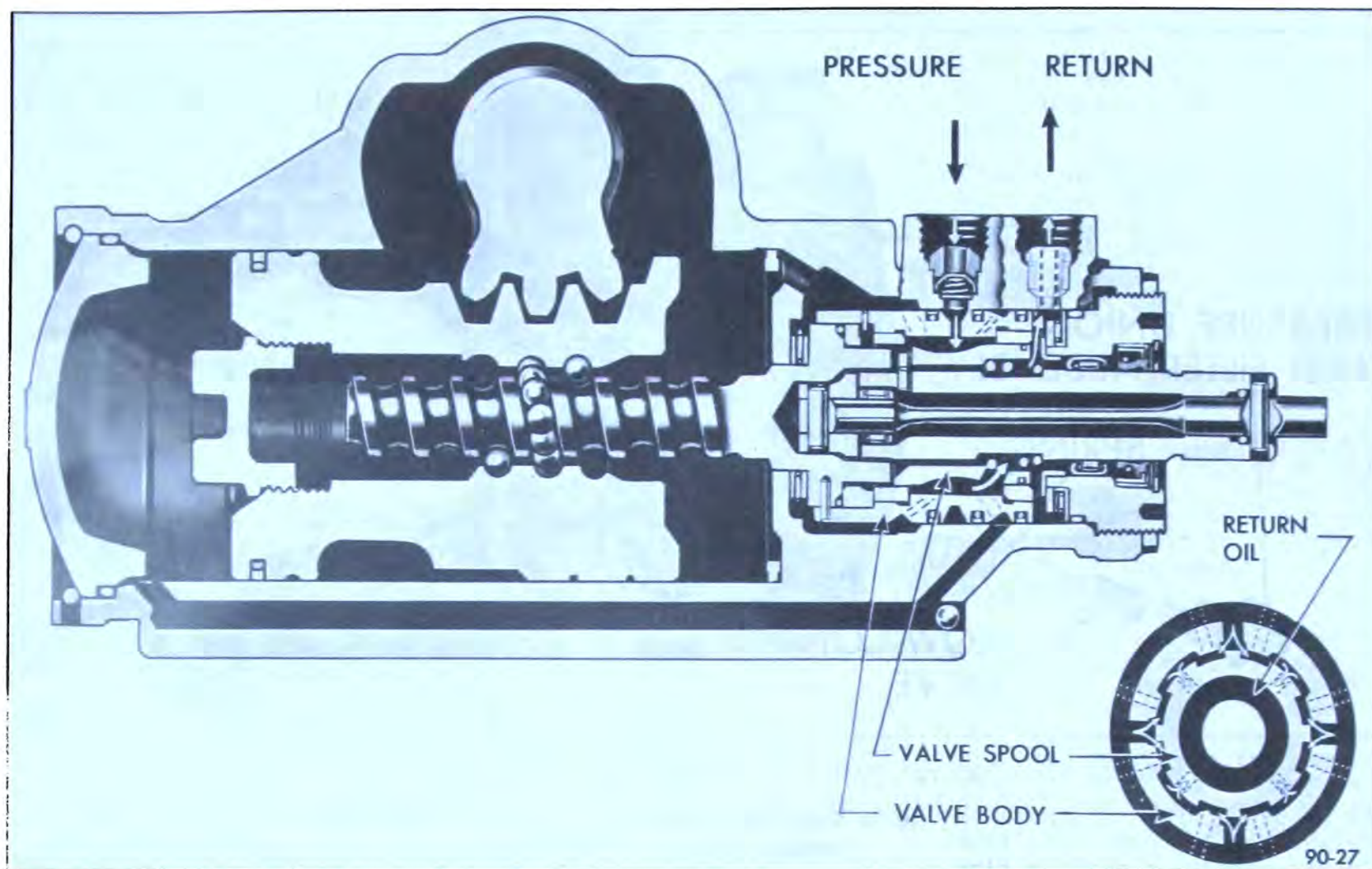


Figure 90-25 Oil Flow in Power Steering Gear (Straight-Ahead Position)

relationship to the valve body and the higher the oil pressure on the lower end of the rack-piston nut. Since the amount of hydraulic pressure directed to the right turn chamber is dependent upon the resistance to turning, the driver is assured of the proper amount of smooth hydraulic assistance at all times.

The instant the driver stops applying steering effort to the steering wheel, the valve spool is moved back into its straight-ahead position in the valve body by the torsion bar.

When this happens, the oil pressure is again equal on both sides of the rack-piston nut, and the steering geometry of the car causes the wheels to return to the straight-ahead position.

c. Left Turn

Figure 90-27 illustrates the

operation of the gear when the steering wheel is turned to the left. The resistance to turning of the front wheels causes the torsion bar to deflect, changing the relationship between the valve spool slots and the valve body slots. The slots are reversed from the right turn position and change the flow of oil into the left turn chamber in the housing, moving the rack-piston nut downward. Thus, turning effort is applied to the pitman shaft. The oil in the right turn chamber is forced through the valve and back to the reservoir. When the driver stops applying steering effort, the valve spool returns to the straight-ahead position.

d. Check Valve Poppet

The check valve is located in the pressure port of the housing under the connector.

The valve consists of a poppet and a spring and its purpose

is to reduce the possibility of steering wheel "kickback". If when making a turn, the front tire hits a bump which forces it in a direction opposite the turn, the impact will be carried up to the rack-piston nut by the pitman shaft. If the force is great enough, the rack-piston nut will tend to move against the applied oil pressure and force oil back through the valve assembly and out through the pressure port where the poppet valve is now located. If the rack-piston moved in the opposite direction, the steering wheel would resist momentarily or would "kickback". The poppet valve is designed to prevent the above action from occurring by trapping the oil inside the gear.

e. Steering Effort

During normal driving, the steering wheel effort will range from 1 to 2-1/4 pounds. The parking effort ranges from 2 to 3-1/4 pounds, depending

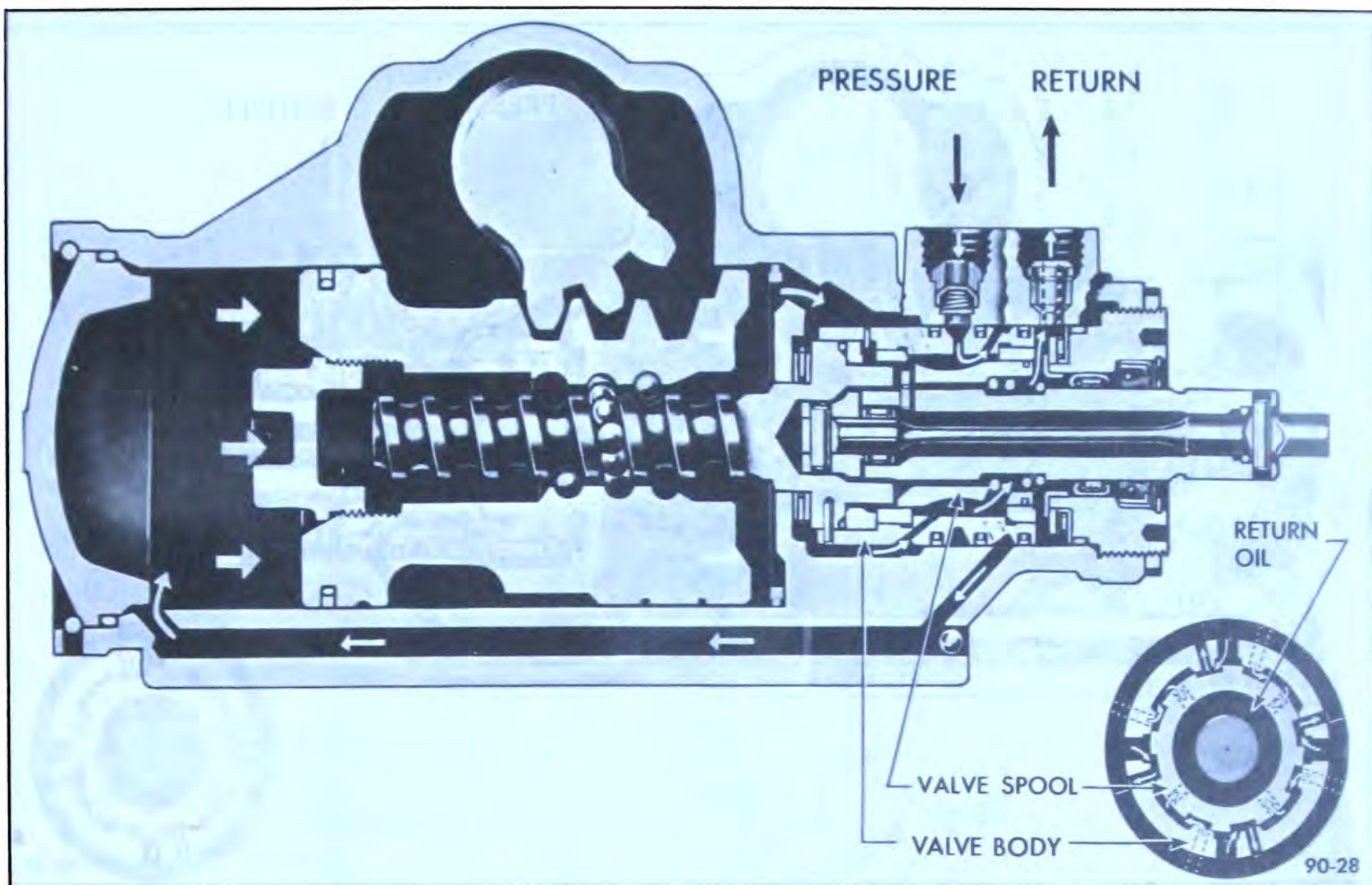


Figure 90-26 Oil Flow in Power Steering Gear (Right Turn)

upon the road conditions. Full hydraulic assist is obtained with approximately 3-1/4 pounds of effort at steering wheel rim. The more the turning resistance, the greater the pressure in the right or left turn chamber and the more effort the driver must apply to the steering wheel to turn the car. This proportional effort gives the driver the "feel of the road" at all times.

During normal driving conditions, the hydraulic oil pressure in the turn chambers should not exceed 125 psi. Pressure for cornering should not exceed 400 psi and parking pressure may range up to 1100-1200 psi depending upon the road surface.

DIVISION III

SERVICE PROCEDURES

90-12 REMOVAL AND INSTALLATION OF PITMAN SHAFT SEALS, STEERING GEAR AND OIL PUMP

a. Removal and Installation of Pitman Shaft Seals with Steering Gear in Car

If, upon inspection of the gear, it is found that oil leakage exists at the pitman shaft seals, the seals may often be replaced without removing gear assembly from car as follows:

1. Remove pitman nut and disconnect pitman arm from pitman shaft using puller J-5504. See Figure 90-28.

2. Thoroughly clean end of pitman shaft and gear housing, then tape splines on end of pitman shaft to insure that seals will not be cut by splines during assembly.

NOTE:

Only one layer of tape should be used; an excessive amount of tape will not allow the seals to pass over it, due to the close tolerance between

the seals and the pitman shaft.

3. Remove pitman shaft seal retaining ring with No. 3 truarc pliers J-4245.

4. Start engine and turn steering wheel fully to the left so that oil pressure in the housing can force out pitman shaft seals. Turn off engine.

NOTE:

Use suitable container to catch oil forced out of gear. This method of removing the pitman shaft seals is recommended, as it eliminates the possibility of scoring the housing while attempting to pry seals out.

5. Inspect seals for damage to rubber covering on O.D. If O.D. appears scored, inspect housing for burrs and remove before attempting new seal installation.

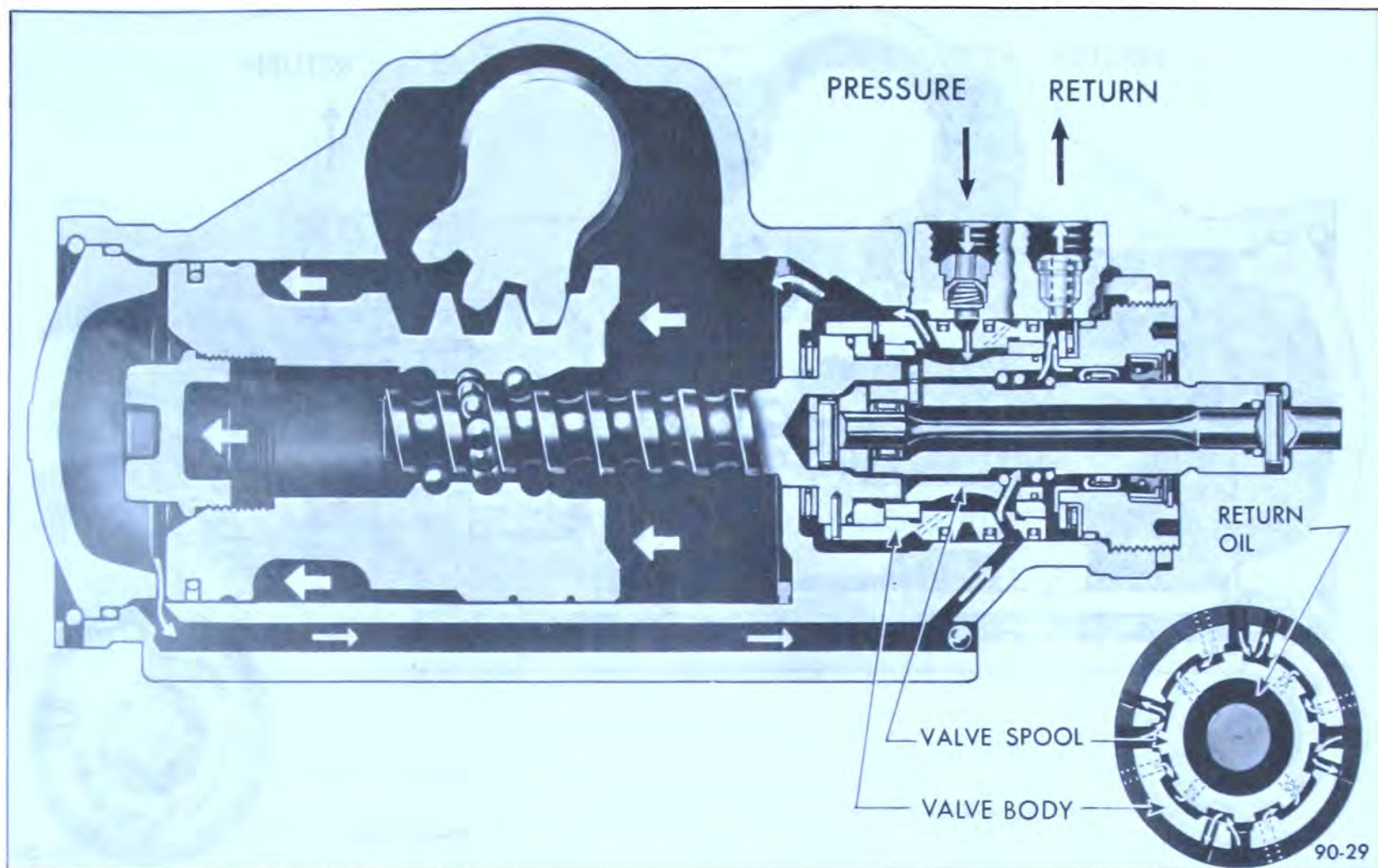


Figure 90-27 Oil Flow in Power Steering Gear (Left Turn)

6. Clean the end of housing thoroughly so that dirt will not enter housing with the installation of the new seals.

7. Lubricate the seals thoroughly with petroleum jelly and install seals with installer J-6219. Install the inner single lip seal first, then a back-up washer. Drive seal in far enough to provide clearance for the other seal, back-up washer and retaining ring. Make sure that the

inner seal does not bottom on the counterbore. Install the outer double lip seal and the second back-up washer in only far enough to provide clearance for the retaining ring. Install retaining ring.

8. Fill pump reservoir to proper level. Start engine and allow engine to idle for at least three minutes without turning steering wheel. Turn wheel to left and check for leaks.

9. Remove tape and reconnect pitman arm.

washers securing flexible coupling halves.

4. Jack up car and remove the pitman shaft nut, then remove the pitman arm using puller J-5504. See Figure 90-28.

5. On 45-46-48-49000 Series remove sheet metal baffle which covers frame to gear attachment bolts.

6. Loosen the three frame to steering gear bolts at outside of frame and remove steering gear.

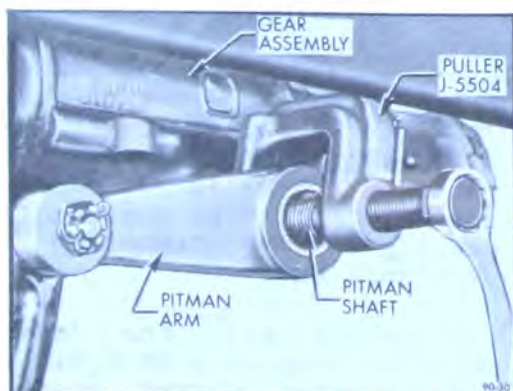


Figure 90-28 Removing Pitman Arm From Pitman Shaft

b. Removal of Power Steering Gear

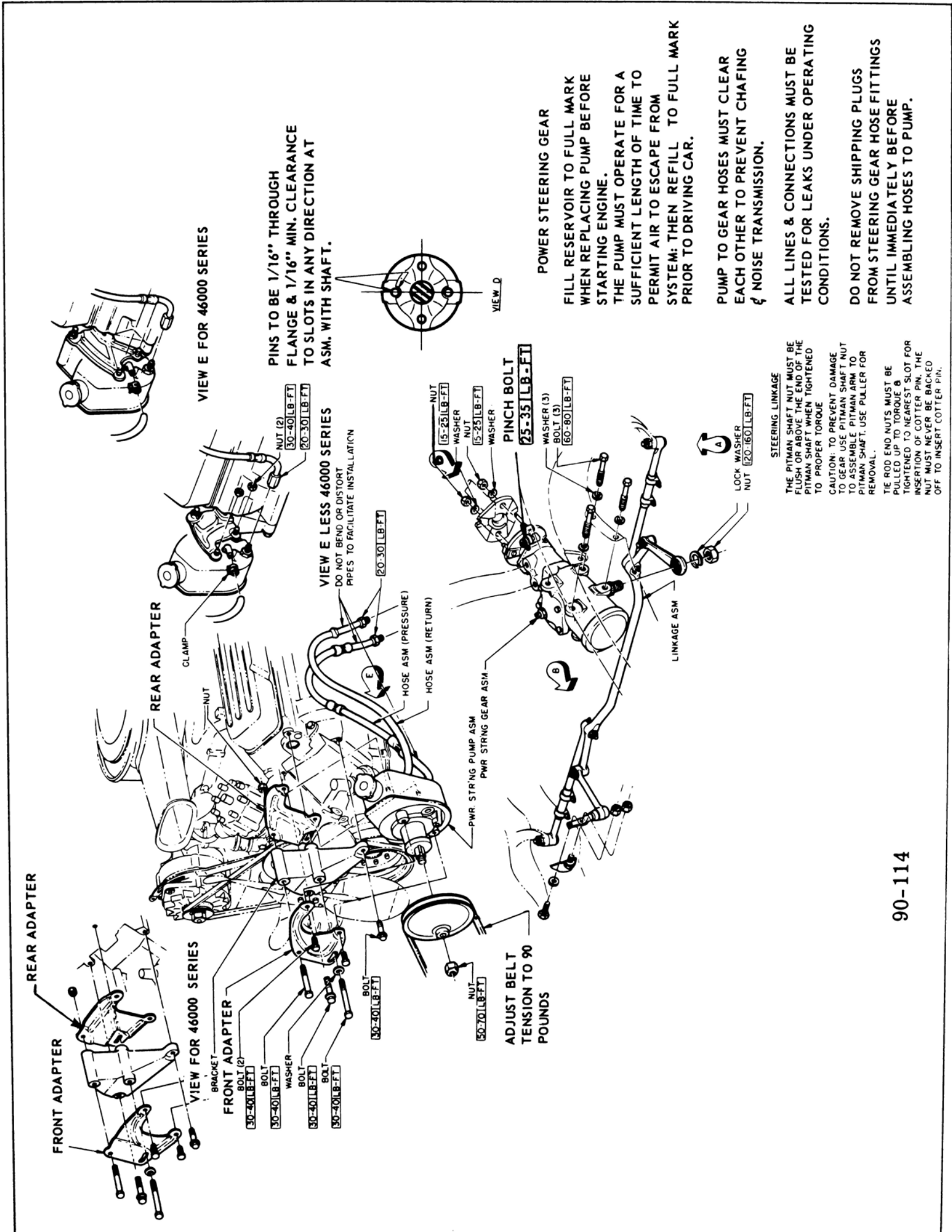
1. Place fender cover over left front fender.

2. Disconnect the pressure and return line hoses at the steering gear and elevate ends of hoses higher than pump to prevent oil from draining out of pump.

3. Remove two nut and lock

c. Installation of Steering Gear Assembly

1. Install the gear assembly by reversing the procedure for removal. See Figures (90-29, 90-30, 90-31, and 90-32) for tightening specifications. Torque pitman nut 140 lb. ft. Torque flexible coupling nuts to 30 lb.ft. Be sure there is 1/16" clearance between adjuster plug and gear coupling.



POWER STEERING GEAR

FILL RESERVOIR TO FULL MARK WHEN REPLACING PUMP BEFORE STARTING ENGINE.

THE PUMP MUST OPERATE FOR A SUFFICIENT LENGTH OF TIME TO PERMIT AIR TO ESCAPE FROM SYSTEM: THEN REFILL TO FULL MARK PRIOR TO DRIVING CAR.

PUMP TO GEAR HOSES MUST CLEAR EACH OTHER TO PREVENT CHAFING & NOISE TRANSMISSION.

ALL LINES & CONNECTIONS MUST BE TESTED FOR LEAKS UNDER OPERATING CONDITIONS.

DO NOT REMOVE SHIPPING PLUGS FROM STEERING GEAR HOSE FITTINGS UNTIL IMMEDIATELY BEFORE ASSEMBLING HOSES TO PUMP.

STEERING LINKAGE

THE PITMAN SHAFT NUT MUST BE FLUSH OR ABOVE THE END OF THE PITMAN SHAFT WHEN TIGHTENED TO PROPER TORQUE

CAUTION: TO PREVENT DAMAGE TO GEAR USE PITMAN SHAFT NUT TO ASSEMBLE PITMAN ARM TO PITMAN SHAFT. USE PULLER FOR REMOVAL.

TIE ROD END NUTS MUST BE PULLED UP TO TORQUE & TIGHTENED TO NEAREST SLOT FOR INSERTION OF COTTER PIN. THE NUT MUST NEVER BE BACKED OFF TO INSERT COTTER PIN.

90-114

Figure 90-29 Power Steering System (45-44000 Less L-6 Pump)

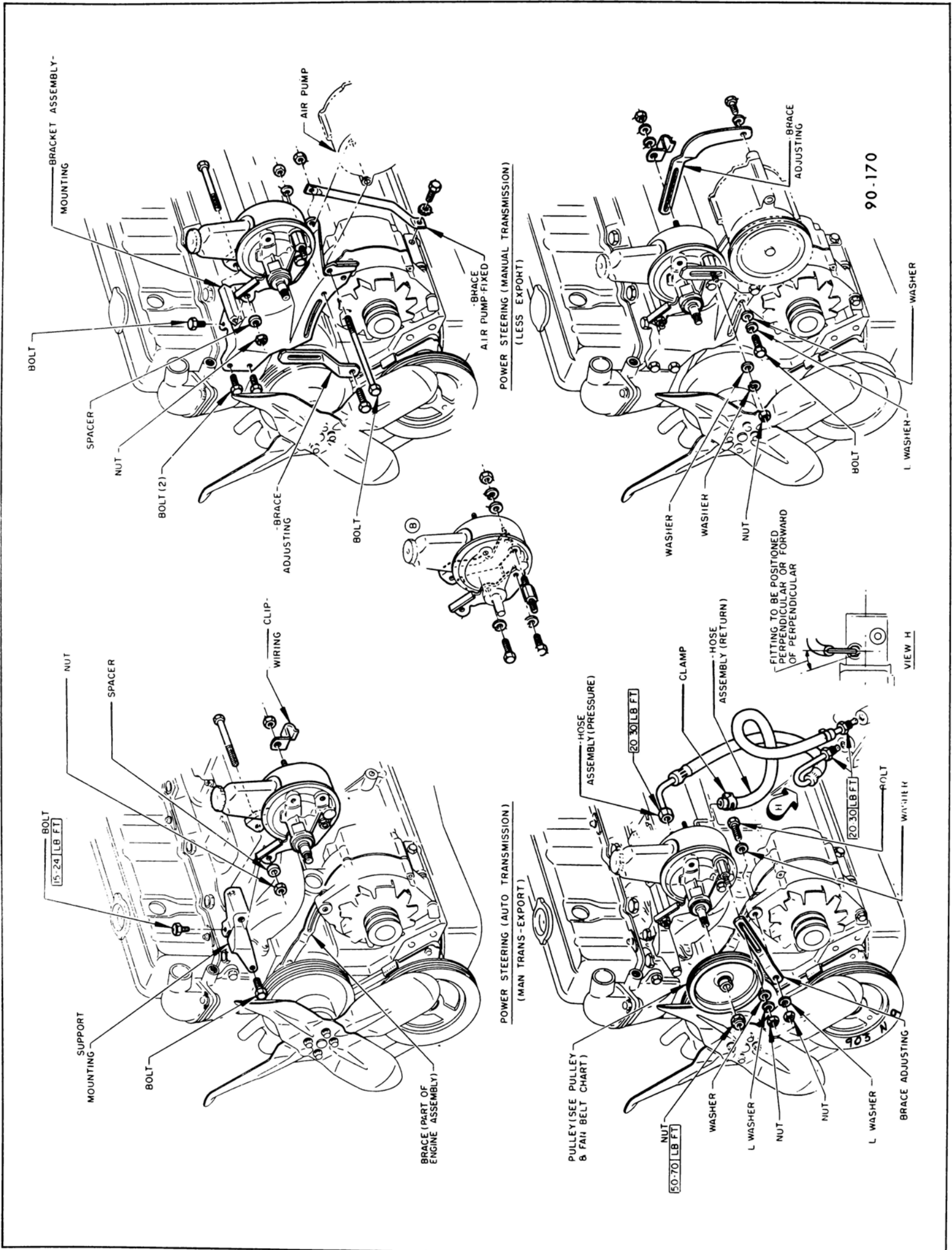


Figure 90-30 Power Steering Pump Installation (L-6 Engine)

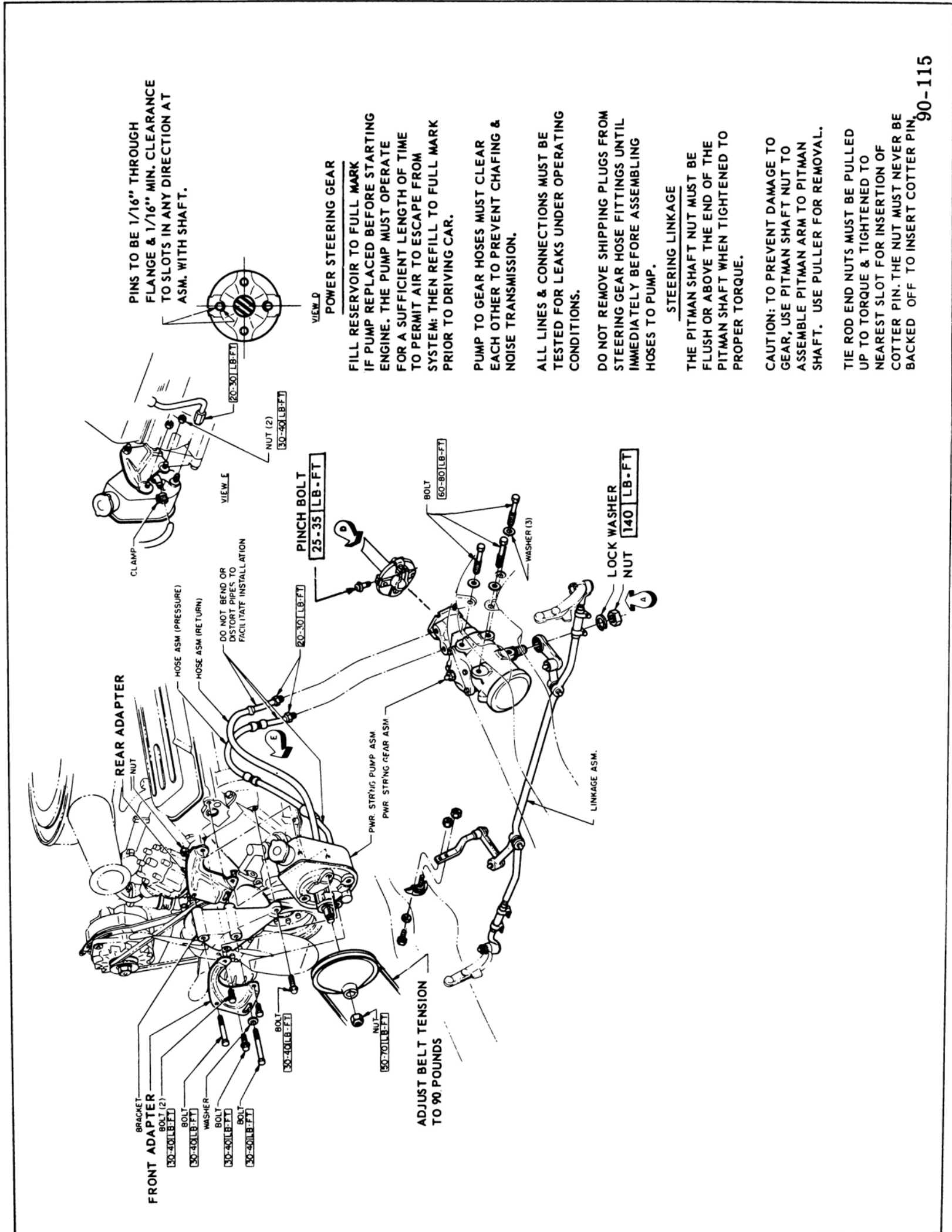
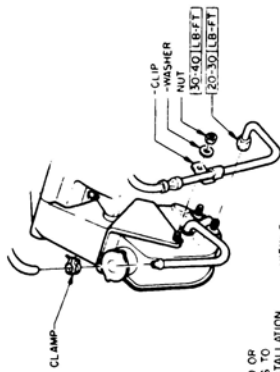
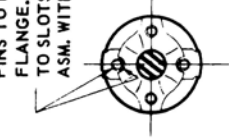


Figure 90-31 Power Steering System (45000 Series)

PINS TO BE 1/16" THROUGH FLANGE. 1/16" MIN. CLEARANCE TO SLOTS IN ANY DIRECTION AT ASM. WITH SHAFT.



POWER STEERING GEAR

FILL RESERVOIR TO FULL MARK IF PUMP REPLACED BEFORE STARTING ENGINE. THE PUMP MUST OPERATE FOR A SUFFICIENT LENGTH OF TIME TO PERMIT AIR TO ESCAPE FROM SYSTEM; THEN REFILL TO FULL MARK PRIOR TO DRIVING CAR.

PUMP TO GEAR HOSES MUST CLEAR EACH OTHER TO PREVENT CHAFING & NOSE TRANSMISSION.

ALL LINES & CONNECTIONS MUST BE TESTED FOR LEAKS UNDER OPERATING CONDITIONS.

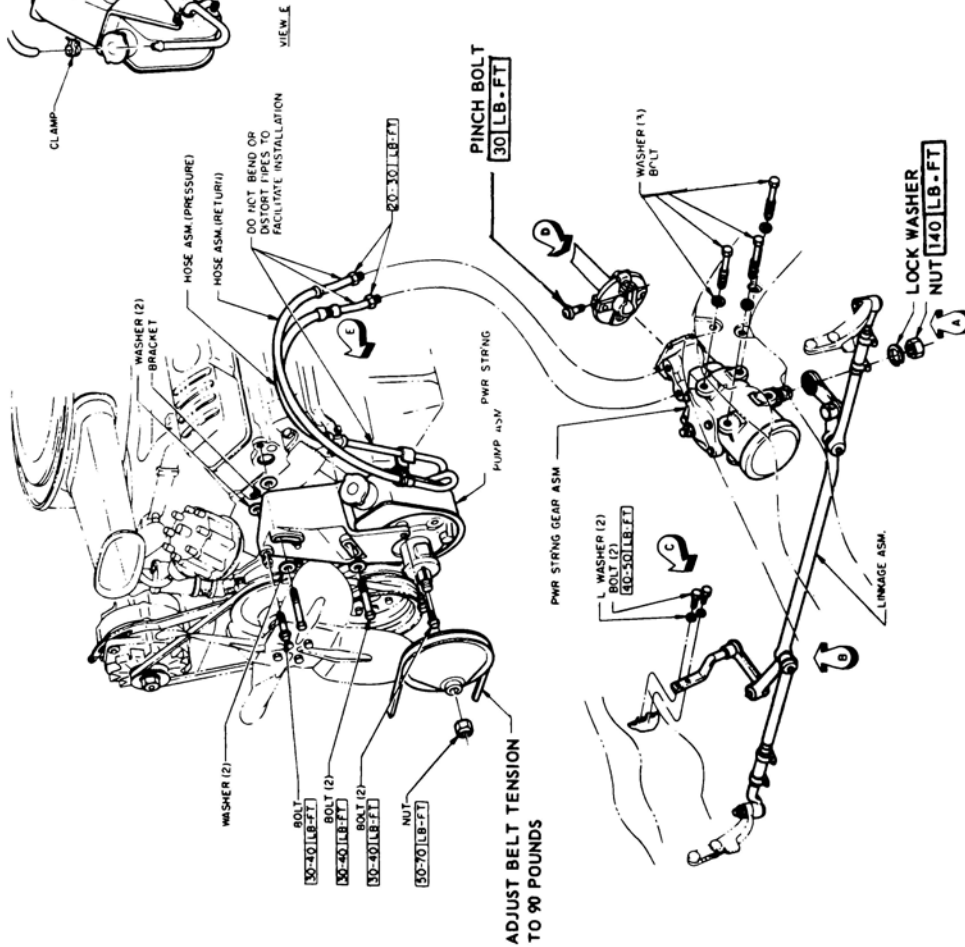
DO NOT REMOVE SHIPPING PLUGS FROM STEERING GEAR HOSE FITTINGS UNTIL IMMEDIATELY BEFORE ASSEMBLING HOSES TO PUMP.

STEERING LINKAGE

THE PITMAN SHAFT NUT MUST BE FLUSH OR ABOVE THE END OF THE PITMAN SHAFT WHEN TIGHTENED TO PROPER TORQUE.

CAUTION: TO PREVENT DAMAGE TO GEAR, USE PITMAN SHAFT NUT TO ASSEMBLE PITMAN ARM TO PITMAN SHAFT. USE PULLER FOR REMOVAL.

THE ROD END NUTS MUST BE PULLED UP TO TORQUE & TIGHTENED TO NEAREST SLOT FOR INSERTION OF COTTER PIN. THE NUT MUST NEVER BE BACKED OFF TO INSERT COTTER PIN.



90-116A

Figure 90-32 Power Steering System (46-48-49000 Series)

2. Fill pump reservoir to correct level with Buick Power Steering oil or equivalent.

3. Start engine and maintain oil level in reservoir while allowing engine to idle for at least three minutes before turning steering wheel. Then rotate steering wheel through its entire range slowly a few times with engine running. Recheck oil level and inspect for possible leaks.

NOTE:

If air becomes trapped in the oil, the oil pump may be noisy until all air is out of oil. This may take some time since air trapped in oil does not bleed out rapidly.

d. Removal of Oil Pump

NOTE:

It is not necessary to remove oil pump to service the flow control valve. The flow control valve is retained in pump housing by a pressure union and filter assembly. See Figure 90-22. Refer to paragraph 90-16 for replacing shaft seal without disassembling pump.

1. Remove pump pulley nut. See Figures 90-30, 90-31 and 90-32. Disconnect belt from pulley and remove pulley using a suitable puller. Do not hammer pulley off as this may cause internal pump damage.

2. Disconnect return and pressure hoses from pump. Cover the hose connector and union on pump and open ends of the hoses to avoid entrance of dirt.

3. On 43-44-45000 Series cars remove 2 nuts securing rear of pump to bracket, and 2 bolts securing front of pump to bracket and remove pump.

4. On 46-48-49000 Series cars remove 1 nut securing rear of pump to rear adapter and 2 bolts securing front of pump to front adapter and remove pump.

e. Installation and Bleeding of Oil Pump

1. Install the oil pump by reversing the procedure for removal.

2. When pump is reinstalled on engine adjust drive belt tension to 90 pounds.

3. Fill pump reservoir to correct level with Buick Power Steering oil or equivalent.

4. Start engine and maintain oil level in reservoir while allowing engine to idle for at least three minutes before turning steering wheel. Then rotate steering wheel through its entire range slowly a few times with engine running. Recheck oil level and inspect for possible leaks.

NOTE:

If air becomes trapped in the oil, the oil pump may be noisy until all air is out of oil. This may take some time since air trapped in oil does not bleed out rapidly.

90-13 DISASSEMBLY, INSPECTION AND REASSEMBLY OF ADJUSTER PLUG ASSEMBLY AND ROTARY VALVE ASSEMBLY

a. Removal of Adjuster Plug Assembly and Rotary Valve Assembly

1. Thoroughly clean exterior of gear assembly with a suitable solvent. Drain the unit by placing the valve ports down and turning the worm through its entire range two or three times.

2. Place gear assembly in vise.

3. Loosen adjuster plug lock nut with punch and remove adjuster plug using adjustable spanner wrench, J-7624.

4. Remove rotary valve assembly from gear by grasping stub shaft and pulling out.

NOTE:

If it is only necessary to service the rotary valve assembly, proceed with subparagraph "d".

b. Disassembly of Adjuster Plug Assembly

1. Remove the upper thrust bearing retainer with a screwdriver, being careful not to damage the needle bearing

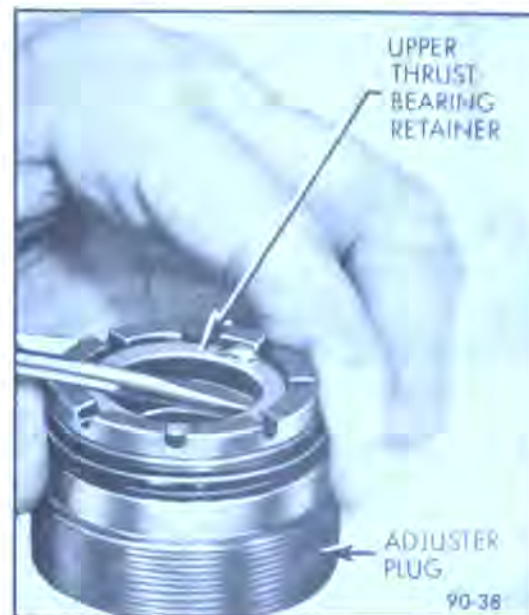


Figure 90-33 Removing Upper Thrust Bearing Retainer

bore. See Figure 90-33. Discard retainer. Remove thrust bearing spacer, upper thrust bearing and thrust bearing races.

2. Remove adjuster plug "O" ring and discard.

3. Remove stub shaft seal retaining ring using No. 3 truarc pliers J-4245 and remove and discard dust seal. See Figure 90-34.

4. Remove stub shaft seal by prying out with screwdriver and discard.

5. Inspect needle bearing in adjuster plug and if rollers are broken or pitted, remove needle bearing by pressing from thrust bearing end using tool J-6221 and discard bearing. See Figure 90-35.

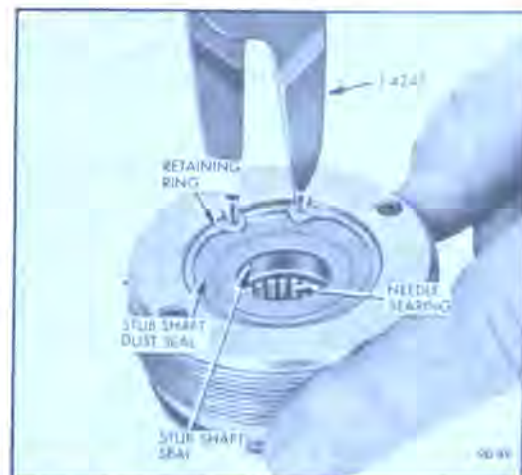


Figure 90-34 Removing Stub Shaft Seal Retaining Ring

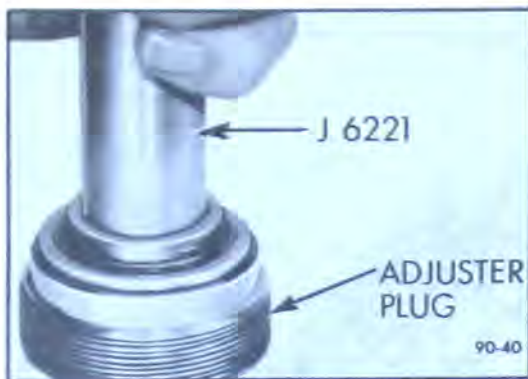


Figure 90-35 Removing Needle Bearing

6. Inspect thrust bearing spacer for cracks.

7. Inspect thrust bearing rollers and thrust bearing races for wear, pitting, scoring, cracking or brinelling. Replace any damaged parts.

c. Reassembly of Adjuster Plug Assembly

1. If needle bearing was removed because of damage, install new needle bearing from thrust bearing end of adjuster plug, by pressing against identification end of bearing using tool J-6221. End of bearing must be flush with bottom surface of stub shaft seal bore.

2. Lubricate new stub shaft seal with automatic transmission oil and install seal with spring in seal toward adjuster plug using tool J-5188. See Figure 90-36. Install seal only far enough in plug to provide clearance for dust seal and retaining ring. Place new dust seal with lip up in plug, then install retaining ring with No. 3 truarc pliers, J-4245.

3. Lubricate new adjuster plug "O" ring seal with petroleum jelly and install on adjuster plug. Assemble large O.D. thrust bearing race with internal flange up on adjuster plug, then thrust bearing, smaller thrust bearing race and thrust bearing spacer on adjuster plug. Install new thrust bearing retainer into needle bearing bore using punch, being careful not to damage spacer. See Figure 90-37. Radial location of



Figure 90-36 Installing Stub Shaft Seal

dimples on retainer is not important. Thrust bearing assembly and spacer must be free and retainer must be completely below surface of spacer.

d. Disassembly of Rotary Valve Assembly

It is very uncommon to have to make any service repairs to the valve assembly with the possible exception of the valve spool dampener "O" ring seal. DO NOT disassemble the valve unless absolutely necessary since this may result in damaging the assembly. If the valve spool dampener "O" ring seal requires replacement, remove the valve spool only, replace the "O" ring and reinstall the spool immediately. DO NOT disassemble further.

CAUTION:

Cleanliness of parts, tools and work area is of the utmost importance during servicing of the valve assembly.

1. Remove cap to worm "O" ring seal and discard.

2. Remove valve spool spring

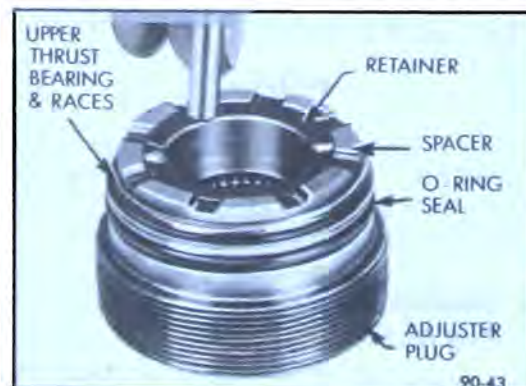


Figure 90-37 Installing Upper Thrust Bearing Retainer



Figure 90-38 Separating Valve Spool From Valve Body

by prying on small coil with a small screwdriver to work spring onto bearing surface of stub shaft. Slide spring off shaft. Be very careful not to damage stub shaft surface.

3. Remove the valve spool by holding the valve assembly in one hand with the stub shaft pointing downward. Insert the end of a pencil or wood rod through the opening in the valve body cap and lightly push on the valve spool until it is far enough out of the valve body to be withdrawn. See Figure 90-38. Withdraw the spool with a steady rotating pull to prevent jamming. See Figure 90-40. If slight sticking occurs, make a gentle attempt to reverse the withdrawal procedure. If this does not free spool, it has become cocked in the valve body bore. Do not attempt to force the spool in or out if it becomes cocked, but continue with the following step.

CAUTION:

The valve spool must be



Figure 90-40 Withdrawing Valve Spool From Valve Body

removed with extreme care. The clearance between the valve body and the spool may be as low as .0004 inch. The slightest cocking of the spool may jam it in the valve body.

4. Remove the stub shaft, torsion bar and cap assembly by holding the valve assembly with stub shaft downward as shown and rapping torsion bar lightly against workbench to dislodge the cap from the valve body to cap pin. See Figure 90-41. Complete the removal of the stub shaft torsion bar and cap assembly.

5. If the valve spool became cocked as described in Step 3 above, it can now be freed by visually determining in which direction it is cocked. Tap the spool lightly with a plastic or wood rod to align it and free it in the valve body bore. Do not tap spool with anything metallic.

6. Remove valve spool dampener "O" ring seal and discard.

7. If there is evidence of wear or leakage carefully cut and remove three valve body rings and three ring back-up



Figure 90-41 Removing Stub Shaft, Torsion Bar and Cap Assembly From Valve Body

"O" ring seals. Discard rings and seals.

e. Inspection of Rotary Valve Assembly

NOTE:

The rotary valve assembly is a precision unit with selectively fitted parts and is hydraulically balanced when assembled at the factory. Only those parts which are listed in parts book are replaceable and interchangeable. No other valve parts are individually interchangeable. If replacement of any non-serviceable valve part is necessary, the rotary valve assembly should be replaced.

1. If the valve assembly leaks externally between the torsion bar and stub shaft, the valve assembly should be replaced. The torsion bar "O" ring seal in the stub shaft is not serviced.

2. Inspect the pin in the valve body that engages the valve cap for being badly worn, cracked, or broken. If the pin is damaged the valve assembly should be replaced.

3. Inspect the smaller of the two grooves in the end of valve body. If it is worn badly the valve assembly should be replaced.

4. Inspect the valve spool drive pin in the stub shaft. If it is worn badly, cracked or broken the valve assembly should be replaced.

5. Examine the valve spool O.D. and the valve body I.D. for nicks, burrs or bad wear spots. If any are found, the valve assembly should be replaced. A slight polishing is normal on the valve surface.

6. Check the fit of the spool in the valve body. Lubricate the spool with automatic transmission oil and install it in the valve body without the dampener "O" ring seal on it. The spool should rotate smoothly without binding or catching. If spool does not rotate smoothly, the valve assembly should be replaced.

7. Measure the length of the

valve spool spring. The free length should be approximately 3/4 to 7/8 inch. If it measures 11/16 inch or less, the spring should be replaced because this indicates that the spring has set.

8. Examine the needle bearing surface on the stub shaft for being badly worn, brinelled or scored. If damaged, the valve assembly should be replaced.

f. Reassembly of Rotary Valve Assembly

CAUTION:

All parts must be free and clear of dirt, chips, etc., before assembly and must be protected after assembly.

1. If removed from valve body, lubricate three new ring back-up "O" ring seals in automatic transmission oil and assemble in the three ring grooves on the valve body. Assemble three new valve body rings in the ring grooves over the "O" ring seals by carefully slipping over the valve body. See Figure 90-42.

NOTE:

The valve body rings may appear loose or twisted in the grooves, but the heat of the oil during operation after assembly will cause them to straighten.

2. Lubricate a new valve dampener "O" ring seal in Buick Power Steering Oil or equivalent and install in valve spool groove.

3. Assemble the stub shaft torsion bar and cap assembly in the valve body, aligning the groove in the valve cap with the pin in the valve body. See Figure 90-43. Tap lightly on the cap with a soft mallet until cap is against



Figure 90-42 Installings Valve Body Rings



Figure 90-43 Assembling Stub Shaft, Torsion Bar and Cap Assembly in Valve Body

the shoulder in the valve body. Valve body pin must be in the cap groove. Hold these parts together during the rest of valve assembly.

4. Lubricate valve spool with automatic transmission oil. With notch in spool toward valve body, slide the spool over the stub shaft. Align the notch on the valve spool with the spool drive pin on the stub shaft and carefully engage the spool in the valve body bore. Push the spool evenly and slowly with a slight rotating motion until spool reaches drive pin. Rotate spool slowly with pressure until the notch engages the pin. Before pushing the spool completely in, make sure dampener "O" ring seal is evenly distributed in the spool groove.

Complete the spool assembly slowly with care so the "O" ring seal is not damaged.

CAUTION:

Because the clearance between the spool and valve body is very small, extreme care must be taken when assembling these parts.

5. Place seal protector J-6222 over stub shaft and slide valve spool spring over stub shaft with smaller diameter coil going over end of shaft last. See Figure 90-44. Work spring on shaft with a small screwdriver until small coil of spring is seated in the stub shaft groove. Be careful not to damage surface of shaft.

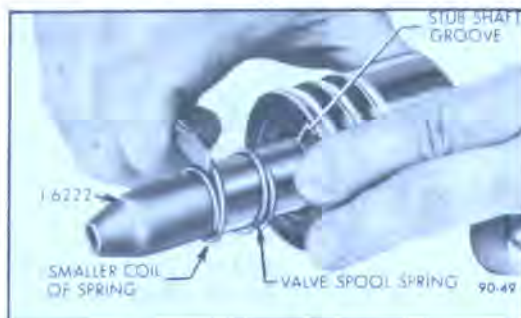


Figure 90-44 Installing Valve Spool Spring

NOTE:

Spring must be seated properly in groove in stub shaft.

6. Lubricate a new cap to worm "O" ring seal in automatic transmission oil and install in valve body.

NOTE:

If during the assembly of the valve, the stub shaft and valve cap were allowed to slip out of engagement with the valve body pin, the spool will be permitted to enter the valve body too far. The spool dampener "O" ring seal will expand into the valve body oil slots and will prevent withdrawal of the spool. If this has occurred, attempt to withdraw spool with a slight pull and much rotary motion. If this does not free the spool make sure spool is free to rotate and place valve body on a flat surface with notched end up. Tap spool with wooden or plastic rod until "O" ring seal is cut and spool can be removed. Install new dampener "O" ring seal and proceed with assembly as before starting with Step 2 above.

g. Installation of Rotary Valve Assembly and Adjuster Plug Assembly

1. Align the narrow pin slot on the valve body with the valve body drive pin on the worm. Insert the valve assembly into the gear housing by pressing against the valve body with the finger tips. Do not press on stub shaft or torsion bar. See Figure 90-45. The return hole in the gear housing should be fully visible when valve is assembled properly. See Figure 90-46.



Figure 90-45 Inserting Valve Assembly in Housing

CAUTION:

Do not push against the stub shaft during assembly as this may cause the stub shaft and cap to pull out of the valve body, allowing the spool dampener "O" ring seal to slip into valve body oil grooves. Be sure valve is properly seated before installing adjuster plug assembly.

2. Place seal protector J-6222 over end of stub shaft. Install adjuster plug assembly in gear housing snugly with adjustable spanner wrench J-7624 then back plug off approximately 1/8 turn. Install adjuster plug lock nut if removed, but do not tighten.

3. Adjust the thrust bearing preload. Attach torque wrench J-5853 with a 3/4 inch socket to the stub shaft. Turn stub shaft to approximately 1/2 turn from either extreme. Slowly rotate wrench in an arc approximately 60° (1/6 turn)



Figure 90-46 Valve Assembly Installed in Housing

in both directions several times to measure valve drag. See Figure 90-14. Then tighten adjuster plug until thrust bearing preload is 1 to 3 pound inches in excess of valve drag measured with adjuster plug backed out. Total of thrust bearing preload and drag should not exceed 11 pound inches.

4. Tighten adjuster plug lock nut with adjustable spanner wrench J-7624. Recheck thrust bearing preload to be sure that tightening lock nut did not change adjustment.

90-14 DISASSEMBLY, INSPECTION AND REASSEMBLY OF PITMAN SHAFT ASSEMBLY

a. Removal of Pitman Shaft Assembly

1. Thoroughly clean exterior of gear assembly with a suitable solvent. Drain the unit by placing the valve ports down and turning the worm through its entire range two or three times.
2. Place gear assembly in vise.
3. Rotate the stub shaft until pitman shaft gear is in center position. Remove the housing side cover retaining bolts.
4. Tap the end of the pitman shaft with a soft mallet and slide shaft out of housing.
5. Remove the side cover "O" ring seal and discard.

b. Disassembly of Pitman Shaft Assembly

1. Remove the pitman shaft seal retaining ring from end of housing using No. 3 truarc pliers J-4245 and remove outer seal back-up washer. Tap a screwdriver between the outer seal and the inner back-up washer and pry out seal. Tap with screwdriver between the inner seal and the shoulder in the gear housing and pry out inner seal. Be careful not to damage the seal bore in housing. Discard seals.

2. Check the pitman shaft needle bearing for wear, pitting, scoring. If damaged, remove needle bearing from gear housing bore by



Figure 90-47 Removing Pitman Shaft Needle Bearing

driving from the seal bore side of housing using Tool J-6657. See Figure 90-47. Discard bearing.

3. Hold the lash adjuster with an Allen wrench and remove the lash adjuster nut. Discard nut. Remove side cover from lash adjuster.

c. Inspection of Pitman Shaft Assembly

1. Inspect pitman shaft bushing surface in side cover for excessive wear or scoring. If worn or scored, replace side cover.
2. Check the pitman shaft sector teeth and the bearing and seal surfaces. If worn, pitted or scored replace pitman shaft.
3. Check the torque on the lash adjuster. See Figure 90-48. If torque exceeds 15

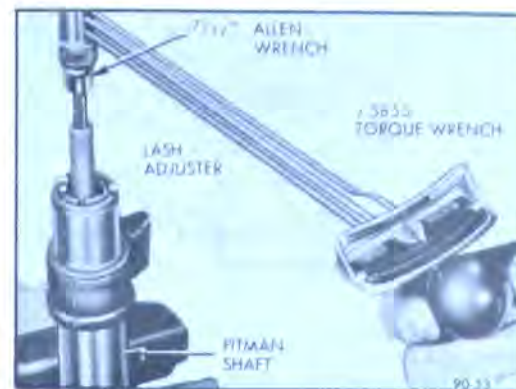


Figure 90-48 Checking Torque on Lash Adjuster

pound inches, pitman shaft assembly should be replaced.

d. Reassembly of Pitman Shaft Assembly

1. If pitman shaft needle bearing was removed because of damage, install new needle bearing into gear housing bore from seal bore end, pressing against stamped identification on bearing with tool J-6657. Press in until bearing clears shoulder in gear housing, 1/32" maximum. Rollers in bearing must be free to rotate.
2. Lubricate new pitman shaft seals with power steering oil. Install the inner, single lip seal in bore first, then a back-up washer. See Figure 90-50. Using tool J-6219, drive the seal and washer in far enough to provide clearance for the outer seal, back-up washer and retaining ring. See Figure 90-51. The inner seal must not bottom on the counterbore. Install the

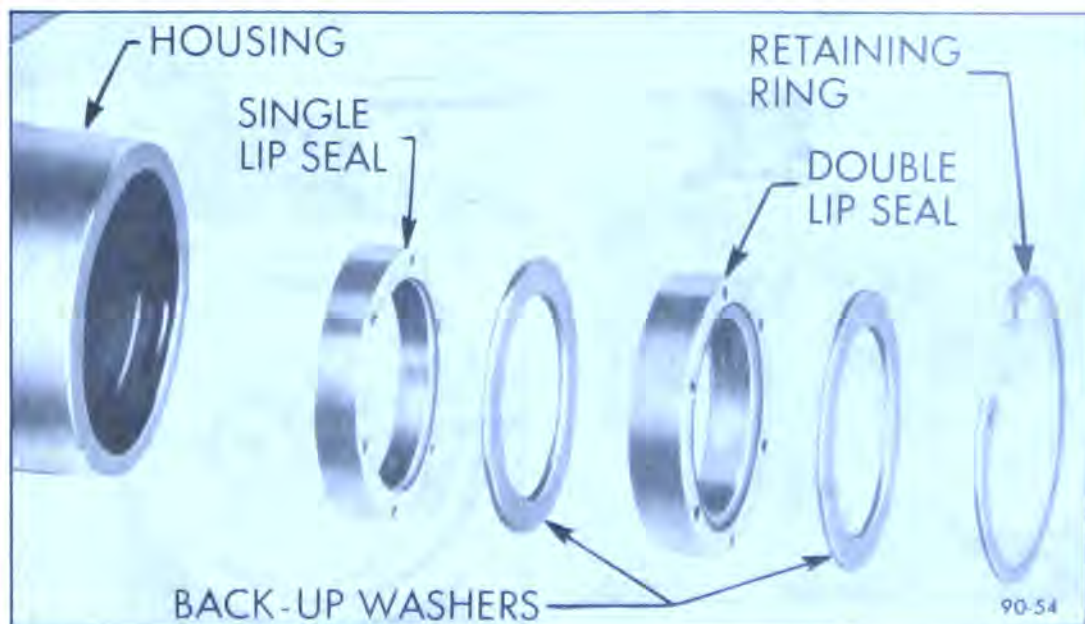


Figure 90-50 Pitman Shaft Seals

outer double lip seal and the second back-up washer in bore only far enough to provide clearance for the retaining ring with tool J-6219. Install retaining ring with No. 3 truarc pliers tool J-4245, making certain that ring is seated properly.

3. Assemble the side cover on the pitman shaft. Screw the lash adjuster through the side cover until the side cover bottoms on the shaft and then back off 1/2 turn.

e. Installation of Pitman Shaft Assembly

1. Lubricate a new side cover "O" ring seal in power steering oil and install in groove in the face of side cover.

2. Turn the stub shaft until the center groove of the rack-piston is aligned with the center of the pitman shaft hole.

3. Wrap masking tape over the end of pitman shaft. Install the pitman shaft so that the center tooth in the sector meshes with the center groove of the rack-piston nut. Make sure the side cover "O" ring seal is in place before pushing the side cover down on gear housing. Remove masking tape from end of shaft.

4. Install the four side cover bolts with lock washers and tighten to 30 lb. ft.

5. Install new lash adjuster nut on lash adjuster, but do not tighten.



Figure 90-51 Installing Pitman Shaft Seals

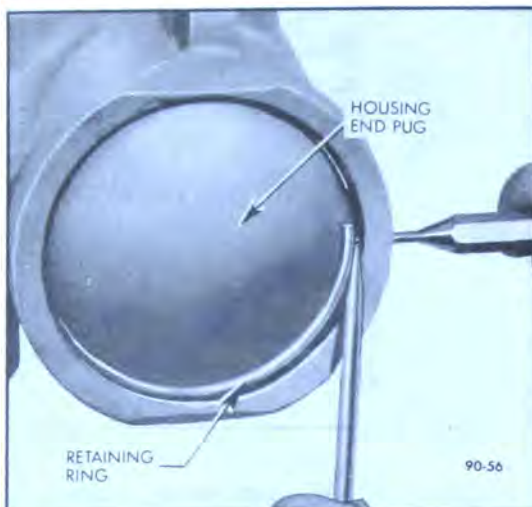


Figure 90-52 Removing Housing End Plug Retaining Ring

6. Adjust pitman shaft as outlined in paragraph 90-9(b).

90-15 DISASSEMBLY, INSPECTION AND REASSEMBLY OF RACK-PISTON NUT AND WORM ASSEMBLY

a. Removal of Rack-Piston Nut and Worm Assembly

1. Thoroughly clean exterior of gear assembly with a suitable solvent. Drain the unit by placing the valve ports down and turning the worm through its entire range two or three times.

2. Remove pitman shaft assembly as outlined in paragraph 90-14(a).

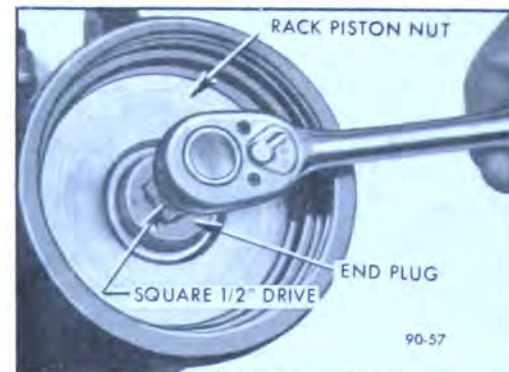


Figure 90-53 Removing Rack-Piston Nut End Plug

3. Rotate housing end plug retainer ring so that one end of ring is over hole in gear housing. Spring one end of ring with punch to allow screwdriver to be inserted to lift ring out. See Figure 90-52.

4. Rotate stub shaft to full left turn position to force end plug out of housing.

CAUTION:

Do not rotate farther than necessary or the balls from the rack-piston and worm assembly will fall out.

5. Remove and discard housing end plug "O" ring seal.

6. Remove rack-piston nut end plug with a 1/2 square drive. See Figure 90-53.

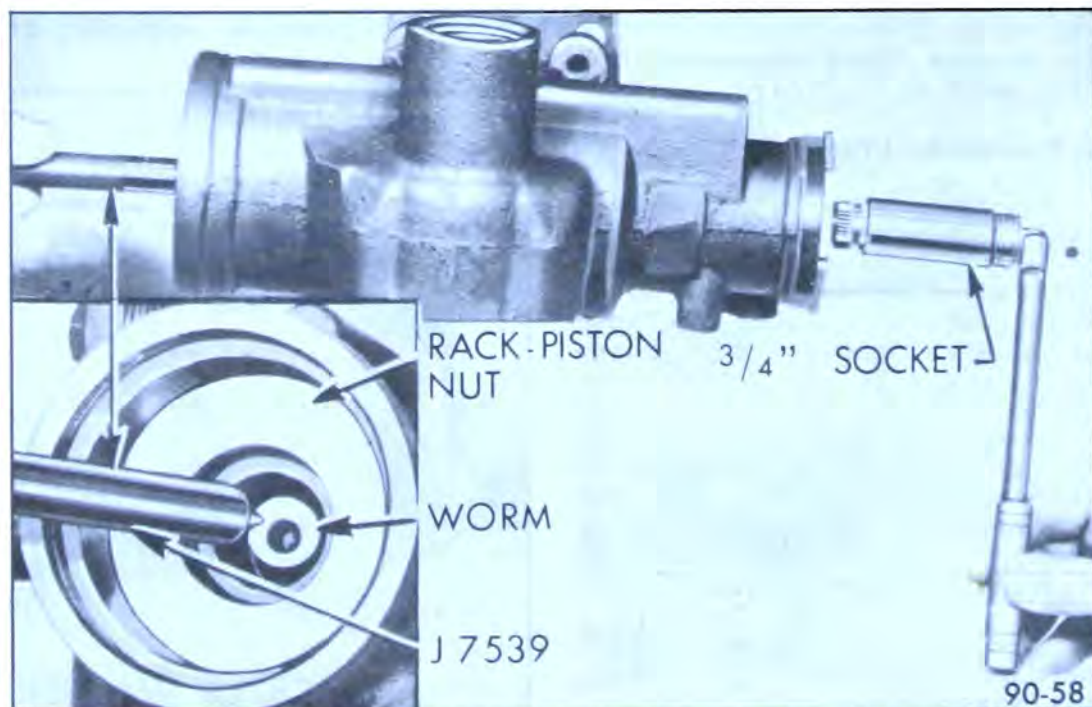


Figure 90-54 Removing Rack-Piston Nut

7. Insert ball retaining tool J-7539 in end of worm. See Figure 90-54. Turn stub shaft so that rack-piston nut will go onto the tool and remove rack-piston nut from gear housing. Keep ball retaining tool completely through rack-piston nut to prevent balls from falling out.

NOTE:

On 46-48-49000 Series gears do not remove snap ring in upper end of piston bore in housing.

8. Remove adjuster plug assembly and rotary valve assembly as outlined in paragraph 90-13(a).

9. Remove worm and lower thrust bearing and races.

10. Remove cap to worm "O" ring seal and discard.

b. Disassembly of Rack-Piston Nut and Worm Assembly

1. Remove and discard piston ring and back-up "O" ring on rack-piston nut.

2. Remove ball return guide clamp to rack-piston nut screws and lock washers and remove clamp.

3. Place the rack-piston nut on a clean cloth and remove ball return guide and ball retaining tool.

Make sure all 22 balls are caught on the cloth.

c. Inspection of Rack-Piston Nut and Worm Assembly

1. Inspect gear housing bore. If badly scored or worn, replace housing.

2. Inspect the worm and rack-piston nut grooves and all the balls for excessive wear or scoring. Inspect rack-piston nut teeth for pitting, wear or scoring. Inspect O.D. of rack-piston nut for wear, scoring or burrs. If either the worm or rack-piston nut need replacing, both must be replaced as a matched assembly.

3. Inspect ball return guides, making sure that the ends where the balls enter and leave the guides are not

damaged. Replace if necessary.

4. Inspect lower thrust bearing and races for wear, pitting, scoring or cracking. Replace any damaged parts.

5. Inspect the hose connectors on gear housing. If badly brinelled or scored, replacement will be necessary. To remove the connectors, tap threads using 5/16-18 tap. Thread a bolt with a nut and flat washer into the tapped hole. Pull the connector by holding the bolt and turning the nut off the bolt. Wash and blow the housing out thoroughly to remove any tapping chips. To install new connector, use replacer J-6217 to drive connector in place.

6. Check the operation of check valve poppet located under connector in pressure port of housing. Poppet should reseat itself against connector after being lightly pushed down. If poppet is not operating properly, remove connector, poppet and spring from pressure port. Then install a new spring with large end down a new poppet with tangs pointed down. Install a new connector using installer J-6217. Be sure new poppet operates properly.

7. Inspect the ball plug in gear housing. If it is leaking or raised above the housing surface, it may be driven in flush to 1/16 inch below surface. The ball can be tightened by staking the housing. If the leakage cannot be stopped, the housing should be replaced.

d. Reassembly of Rack-Piston Nut and Worm Assembly

1. Thoroughly clean and lubricate the internal parts with power steering oil.

2. Install new piston ring back-up "O" ring in groove on rack-piston nut. Place a new piston ring over the back-up "O" ring. See Figure 90-55.

3. Install worm into rack-piston nut to bearing shoulder.

4. Align the ball return guide holes in the rack-piston nut with the worm groove.



Figure 90-55 Installing Rack-Piston Ring on Rack-Piston Nut

Load 16 balls, 8 plain and 8 black in alternate sequence into the guide hole nearest the piston ring while slowly rotating worm counterclockwise. See Figure 90-56.

5. Fill one-half the ball return guide with the remaining 6 balls, 3 plain and 3 black balls in alternate sequence. Place the other half of guide over the balls and plug each end with heavy grease to prevent the balls from falling out when installing the guide to the rack-piston nut.

6. Insert ball return guide into guide holes in the rack-piston nut so that balls in the guide alternate with the balls in the rack-piston nut. Guide should fit loosely.

7. Place clamp over guide and install 2 screws with special lock washers and tighten.

8. The worm groove is ground with a high point in the



Figure 90-56 Loading Balls in Rack-Piston Nut

center. When the rack-piston nut passes over this high point, a preload of 1 to 5 pound inch should be obtained. To measure the preload of the assembly, lightly clamp rack-piston nut in a soft jaw vise with worm pointing up. Do not distort rack-piston nut by tightening too heavily. Place valve assembly on worm, engaging worm drive pin. Rotate the worm until it extends 1-1/4 inches from the edge of rack-piston nut to the thrust bearing face of worm; this is the center position. Attach torque wrench J-5853 with 3/4 inch, 12 point socket to the stub shaft. See Figure 90-57. Rotate the wrench through a total arc of approximately 60 degrees (1/6 turn) in both direction several times and take a reading. The highest reading obtained with the worm rotating should be from 1 to 5 pound inch. If the reading is too high, disassemble and reassemble, using the next size smaller plain balls and recheck. (A rack-piston nut with a ball size of 7 does not have a number stamped on the flat surface. For ball sizes other than 7, the ball size is stamped on the flat surface of the rack-piston nut.) If the reading is too small, use the next size larger plain balls and recheck. See paragraph 90-8, subparagraph b for ball size. Remove valve assembly from worm.

9. Turn the rack-piston nut and worm assembly to a horizontal position in the vise and insert ball retaining tool J-7539 in end of worm and turn worm out of the rack-piston nut. Do not allow the

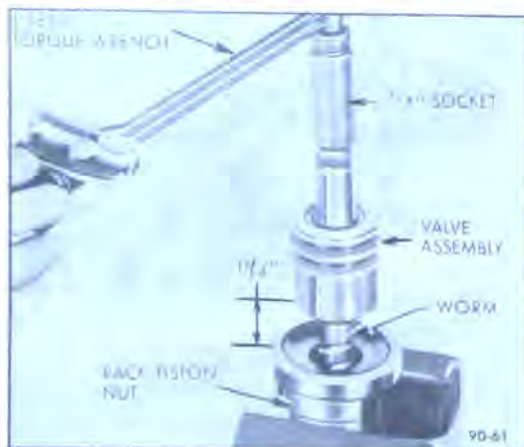


Figure 90-57 Checking Rack-Piston Nut Ball Preload

tool to separate from the worm until worm is fully removed from rack-piston nut.

e. Installation of Rack-Piston Nut and Worm Assembly

1. Assemble lower thrust bearing and races on worm. Install new cap to worm "O" ring seal. Assemble rotary valve assembly to worm by aligning narrow pin slot in valve body with pin on worm.

2. Insert the valve assembly and worm in gear housing as an integral unit. Do not press on stub shaft or torsion bar. See Figure 90-45. Return hole in housing should be fully visible when valve and worm are properly installed. See Figure 90-46.

3. Place seal protector J-6222 over end of stub shaft. Install adjuster plug assembly in gear housing snugly with adjustable spanner wrench J-7624 then back plug off approximately 1/8 turn. Install adjuster plug lock nut if removed, but do not tighten.

4. Adjust the thrust bearing preload. Using torque wrench J-5853, rotate stub shaft to measure valve assembly drag. See Figure 90-14. Then tighten adjuster plug to obtain a reading 1 to 3 pound inch in excess of valve drag.

NOTE:

Total of thrust bearing preload and valve drag should not exceed 11 pound inches.

5. Tighten adjuster plug lock nut. Recheck thrust bearing preload to be sure that tightening lock nut did not change adjustment.



Figure 90-58 Installing Rack-Piston Nut (43-44-45000 Series)



Figure 90-60 Installing Rack-Piston Nut (46-48-49000 Series)

6. Install ring compressor sleeve tool (J-8947 used for 43-44-45000 Series. J-7576 used for 46-48-49000 Series) in gear housing and hold it tightly against shoulder in the housing. See Figures 90-58 and 90-60. Insert the rack-piston nut into the housing until the ball retaining tool J-7539 engages the worm. Turn the stub shaft drawing the rack-piston nut into the housing. When the piston ring is into the housing bore, the ball retaining tool and ring compressor may be removed.

7. Install rack-piston end plug using 1/2 square drive. Torque plug to 50 lb. ft. See Figure 90-61.

8. Lubricate housing end plug "O" ring seal with power steering oil and install in gear housing.

9. Insert end plug into gear housing and seat against "O" ring seal. Slight tapping with a soft mallet may be necessary to seat plug properly. Install end plug retainer ring.



Figure 90-61 Torquing Rack-Piston Nut End Plug

10. Install pitman shaft assembly as outlined in paragraph 90-14, subparagraph e, Steps 1 through 5.

11. Turn lash adjuster counterclockwise a few turns and obtain a reading with torque wrench J-5853 while rotating stub shaft through "high point" range. Adjust lash adjuster to obtain a reading 4 to 8 pound inches higher than first reading.

90-16 REMOVAL AND INSTALLATION OF OIL PUMP SHAFT SEAL WITH PUMP NOT DISASSEMBLED

a. Removal

1. Remove pump pulley nut.
2. Remove pump drive belt from pulley.
3. Remove pulley from pump using a suitable puller. Do not hammer pulley off shaft.
4. Remove pulley drive key from shaft.

NOTE:

On upper series equipped with air conditioner it is necessary to remove pump from its mounting due to interference with fan shroud.

5. Insert a piece of .005" shim stock (approximately 2-1/2" long) around shaft and

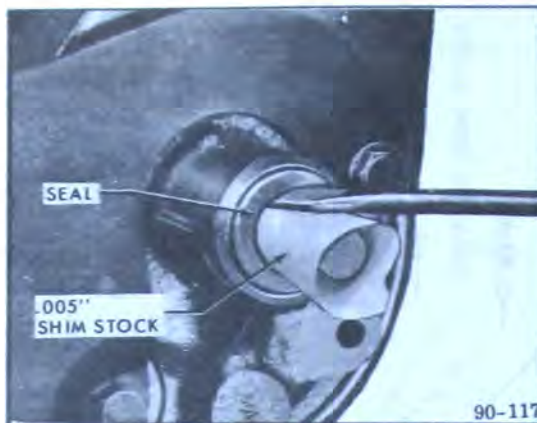


Figure 90-63 Removing Oil Pump Shaft Seal

push it past seal until it bottoms in pump housing. See Figure 90-63.

6. Remove seal by cutting metal body of seal with a sharp tool and prying out. See Figure 90-63. Extreme care must be used to prevent damage to shaft and pump housing.

b. Installation

1. Place seal protector J-7586 over shaft. Lubricate new seal with Buick Power Steering Oil or equivalent and drive in pump housing, spring side first, with installer J-7728. See Figure 90-64. Just bottom seal in housing. Excessive force must not be used when driving seal in place.

2. Install pulley drive key in shaft.

3. Install pulley and drive belt. Adjust belt tension to 90 pounds.

4. Fill pump reservoir to proper level with Buick power steering oil or equivalent and bleed pump.

90-17 DISASSEMBLY, INSPECTION AND REASSEMBLY OF OIL PUMP

NOTE:

Refer to paragraph 90-12 for removal and installation of oil pump.

a. Disassembly of Oil Pump

1. Using masking tape, cover the hose union and pipe on pump and then thoroughly clean exterior of pump.

2. Remove pump pulley key from pump shaft.

3. Remove reservoir cap and drain out oil in pump reservoir.

4. Install pump in a soft jaw vise with pump shaft pointing down. Do not clamp pump too tightly in vise as this may distort bushing.

5. Remove two reservoir to pump housing studs and "O" rings. Discard the "O" rings.

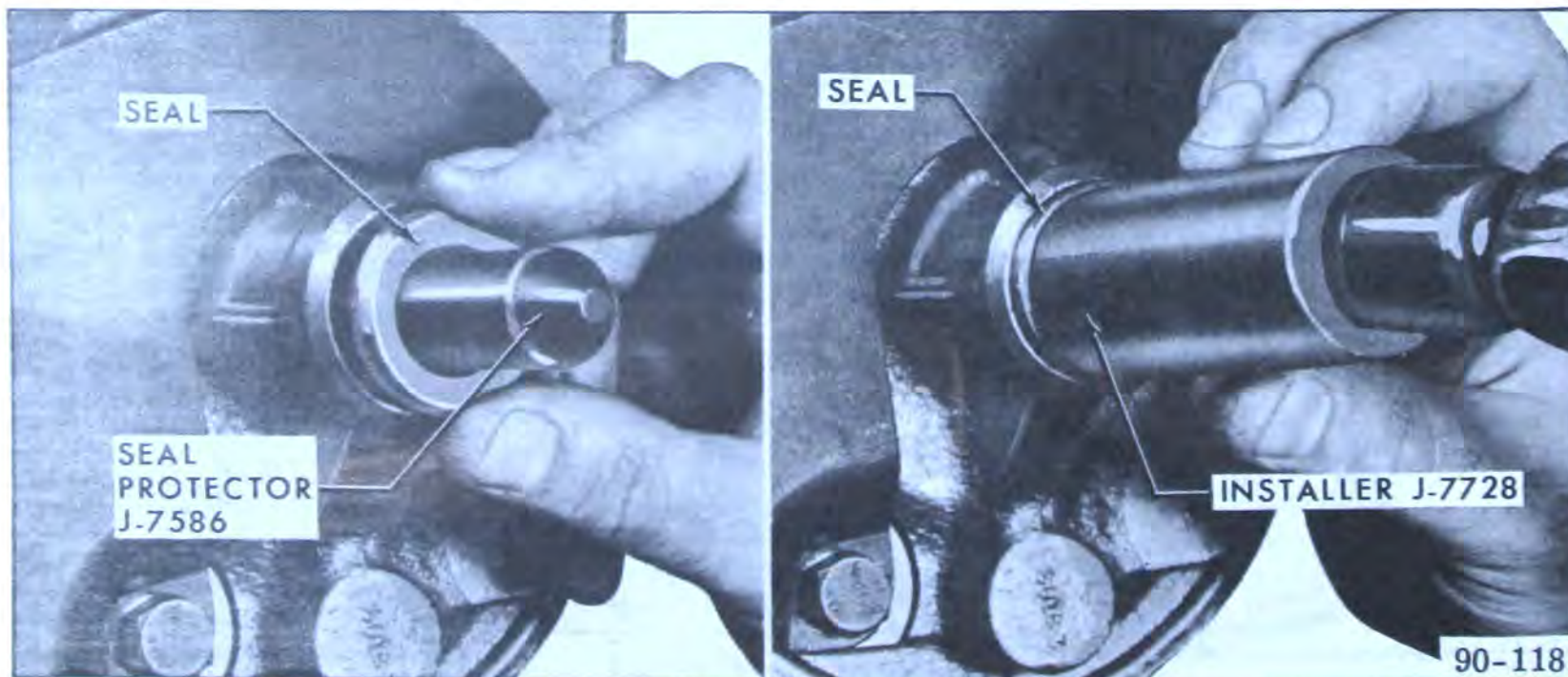


Figure 90-64 Installing Oil Pump Shaft Seal

6. Remove pressure union. Remove "O" ring from union and discard "O" ring.

7. Remove flow control valve and spring.

8. Remove reservoir from housing by rocking housing back and forth while pulling upward. Remove reservoir "O" ring seal on housing and discard. Remove small reservoir to housing "O" ring seal from counterbore in housing and discard.

9. Rotate end plate retaining ring until one end of ring is over hole in housing. Spring inward on one end of ring with 1/8" punch to allow screwdriver to be inserted and lift ring out. See Figure 90-65.

10. Remove pump from vise and remove end plate, pressure plate spring, flow control valve and spring by turning pump over. If end plate should stick in housing, lightly tap it to align and free it.

NOTE:

Do not disassemble control valve.

11. Remove and discard end plate "O" ring seal.

12. Place shaft end on bench and press down on housing until shaft is free. Turn housing over and remove shaft and rotor assembly, being careful not to drop parts. If the two dowel pins did not

come out with assembly, remove dowel pins from housing.

NOTE:

If it is desired to disassemble the shaft and rotor assembly use a 11/32 inch wrench as shown in Figure 90-66.

13. Remove and discard pressure plate "O" ring seal.

14. Remove shaft seal, if defective, by prying out with small screwdriver.

b. Inspection of Oil Pump Parts

Clean all parts thoroughly with solvent and wipe dry with clean, lint-free cloth before inspecting.

1. Inspect shaft for wear.

2. Check fit of the ten vanes in slots of rotor; vanes must slide freely but fit snugly in slots. Tightness may be removed by thorough cleaning or removal of irregularities using a hard Arkansas stone. Replace rotor if excessive looseness exists between rotor and vanes and replace vanes if they are irregularly worn or scored. Light scoring on the rotor can be repaired by carefully lapping surface of rotor.

3. Inspect all ground surfaces of the rotor ring for roughness or irregular wear. Slight irregularities may be removed with a hard Arkansas stone. Replace ring if inside cam surface is badly scored or worn and inspect outside radius of vanes very closely for damage.

4. Inspect the surfaces of the pressure plate and thrust plate for wear or scoring. Light scoring can be repaired by carefully lapping until surface is smooth and flat, after which all lapping compound must be thoroughly washed away.

5. Inspect the flow control valve bore in the housing for scoring, burrs or other damage. Hair line scratches are normal. Inspect bushing in housing, if worn or scored, replace housing.

6. Inspect the surfaces of the flow control valve for scores and burrs. Hair line scratches are normal. Replace valve if badly scored or if it is the cause of low pump pressure. Check the screw in the end of the valve, if loose, tighten being careful not to damage machined surfaces. Filter in end of screw must be clean.

7. Check orifice in pressure union to be sure it is not plugged.

c. Reassembly of Oil Pump

1. Make sure all parts are absolutely clean. Lubricate seals and moving parts with power steering oil during assembly.

2. If shaft seal was removed, use installer J-7017 to drive new seal into housing with spring side of seal toward housing. See Figure 90-67. Just bottom seal in housing.



Figure 90-65 Removing End Plate Retaining Ring

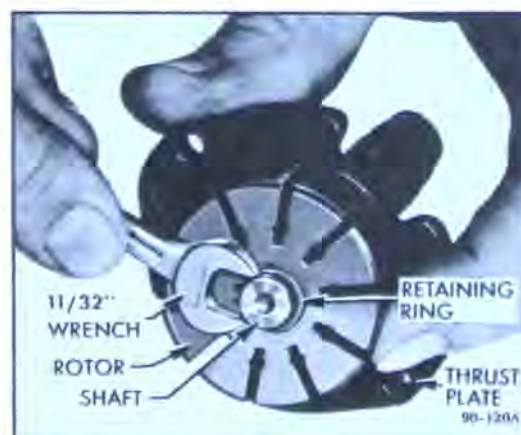


Figure 90-66 Removing Shaft Retaining Ring



Figure 90-67 Installing Shaft Seal

3. Mount housing in vise with shaft end down. Install new pressure plate "O" ring seal in groove in housing bore. This seal is smaller than the end plate "O" ring seal and it has a daub of paint on it for identification.

4. Insert shaft into housing and press down with thumb on splined end to properly seat shaft. Be careful not to damage shaft seal in housing.

5. Install the two dowel pins in housing and install thrust plate on the pins with ported face of plate to rear of housing.

6. Install pump ring with small holes in ring on dowel pins and with arrow on outer edge to rear of housing.

7. Install rotor on pump shaft with spline side of rotor to rear of housing.

Rotor must be free on shaft splines.

8. Install ten vanes in rotor slots with radius edge toward outside and flat edge toward center of rotor.

9. Install shaft retaining ring on pump shaft. (Figure 90-66)

10. Lubricate the outside diameter and chamfer of pressure plate with petroleum jelly and install on dowel pins with ported face toward rotor. Dowel pins fit into slots in plate that are nearest outside diameter of plate. Use a soft plastic or wood rod and lightly tap around outside diameter of pressure plate to seat it. See Figure 90-68. Pressure plate will travel about 1/16" to seat. Never press or hammer on the center of pressure plate as this will

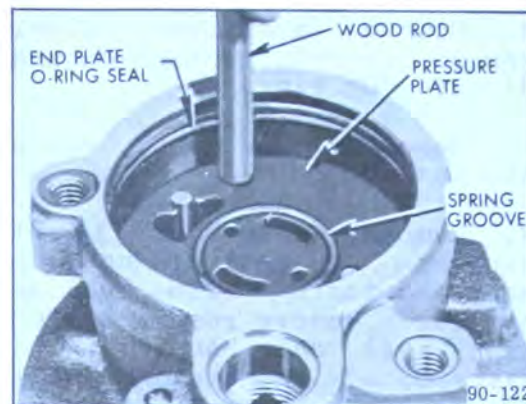


Figure 90-68 Seating Pressure Plate in Housing

cause permanent distortion and result in pump failure.

11. Install new end plate "O" ring seal in groove in bore of housing. Be sure not to install it in end plate retaining ring groove which is first groove from rear of housing. See Figure 90-68.

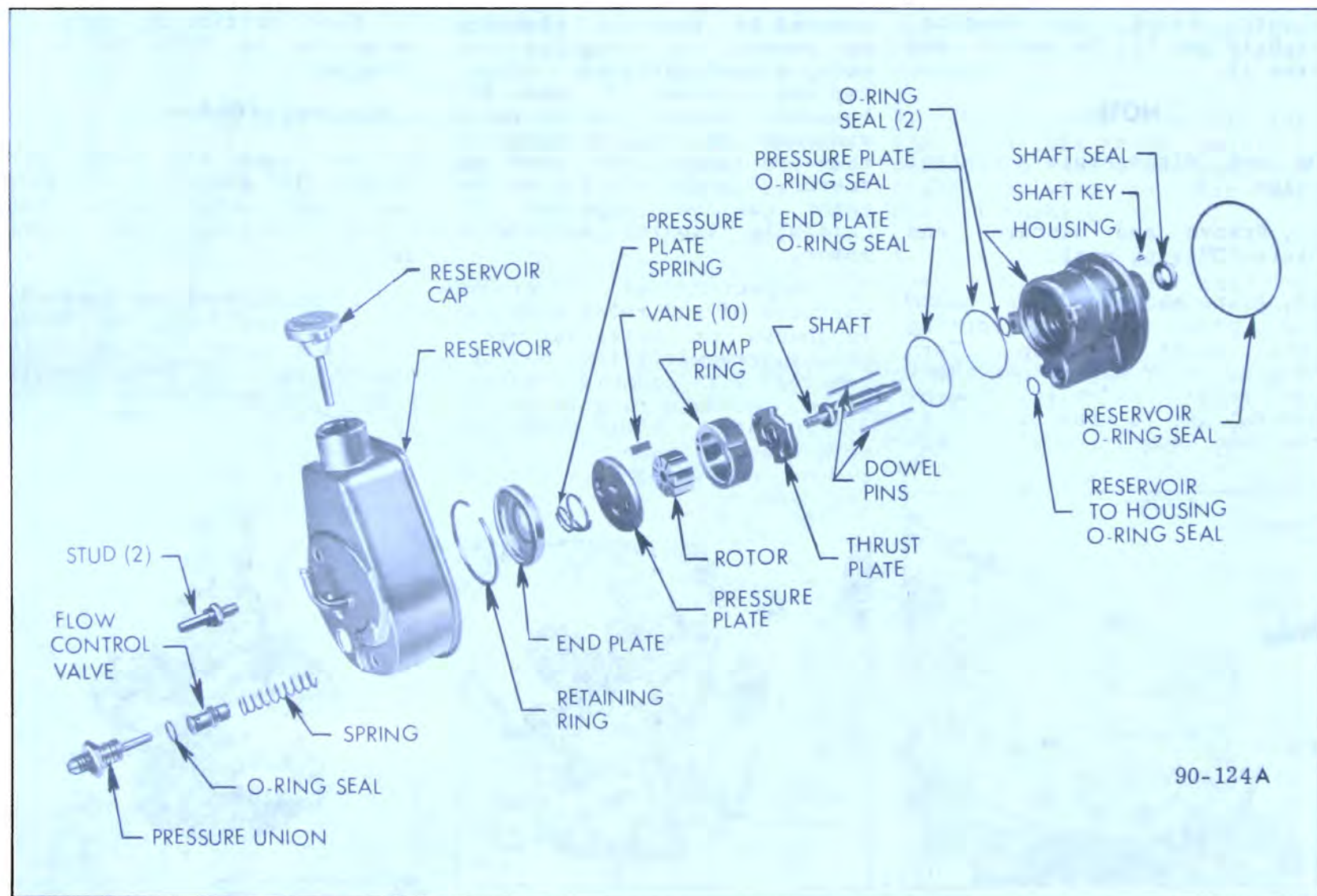


Figure 90-71 Oil Pump (Exploded View)

12. Install the pressure plate spring.

13. Lubricate outside diameter and chamfer of end plate with petroleum jelly and insert in housing.

14. Place end plate retaining ring on top of end plate. Use an arbor press to lower end plate into housing until ring groove in housing is evenly exposed. Be sure ring is completely seated in housing groove and end plate is aligned properly.

CAUTION:

Press end plate into housing only far enough to install retaining ring in groove.

15. Install new reservoir "O" ring seal on housing. Place pressure union seal and two stud seals in proper counterbores on rear of housing.

16. Install reservoir on housing and line up holes for studs. Tap reservoir with a soft mallet to seat it on housing and install reservoir to housing studs with short end of stud in housing. Torque studs to 30 lb. ft.

17. Install flow control valve spring in housing. Then install flow control valve with hex head of valve going in housing first. Check movement of valve.

18. Assemble new "O" ring in groove nearest outlet end of pressure union. Install union in pump and torque 30 lb. ft.

CAUTION:

If "O" ring is installed in groove on pressure union that contains the flow orifice, pump will not build-up pressure.

19. Remove pump from vise and

install shaft key on shaft. Support shaft on opposite side while installing key.

20. Check for bind in pump by rotating drive shaft. Shaft must rotate freely by hand.

DIVISION IV TROUBLE DIAGNOSIS

90-18 TROUBLE DIAGNOSIS—POWER STEERING GEAR AND PUMP

NOTE:

This paragraph covers only those causes of trouble which may be due to the hydraulic power mechanism. Causes which are due to the steering linkage and front suspension are the same as described for standard steering gear.

90-18 TROUBLE DIAGNOSIS—POWER STEERING GEAR AND PUMP

COMPLAINT AND CAUSE	CORRECTION
<p>a. HARD STEERING WHILE DRIVING</p> <ol style="list-style-type: none"> 1. Lower coupling flange rubbing against adjuster plug. 2. Steering adjustment tight. 3. Insufficient pressure build-up in gear power cylinder due to leak or faulty valve. 4. Incorrect installation or operation of the gear check valve poppet. 	<ol style="list-style-type: none"> 1. Loosen pinch bolt and assemble properly. There should be 1/16" clearance between plug and flange. 2. Check adjustment by disconnecting pitman arm from gear. (Par. 90-9) 3. Replace defective parts. 4. Check operation of valve, paragraph 90-15, subparagraph c, Step 6. (See Figure 90-16)
<p>b. POOR RETURN OF STEERING GEAR TO CENTER</p> <ol style="list-style-type: none"> 1. Lower coupling flange rubbing against adjuster plug. 2. Tighten pitman sector to rack-piston nut adjustment. 3. Rack-piston nut to worm preload too tight. 4. Thrust bearing adjustment incorrect. 5. Sticky valve spool. 6. Steering column misalignment 	<ol style="list-style-type: none"> 1. Loosen pinch bolt and assemble properly. 2. Adjust in car to specification. Par. 90-9. 3. Remove gear and replace balls as required. 4. Adjust to specification. 5. Remove and clean valve. Replace rotary valve assembly if necessary. 6. Realign
<p>c. PUMP INOPERATIVE OR POOR OR NO ASSIST</p> <p>NOTE: Refer to subparagraph i, Step 4, to determine if pump is at fault.</p> <ol style="list-style-type: none"> 1. Loose drive belt. 2. Low oil level. 3. Air in the oil. 4. Defective hoses. 5. Flow control valve stuck open. 6. Loose screw in end of flow control valve. 7. Pressure plate not flat against ring. 8. Extreme wear of pump ring. 9. Scored pressure plate, thrust and/or rotor. 10. Vanes not installed properly. 11. Vanes sticking in rotor slots. 12. Faulty flow control valve assembly. 13. "O" ring improperly installed on pressure union. 14. End plate improperly installed or seal damaged. 	<ol style="list-style-type: none"> 1. Tighten belt. 2. Fill reservoir. 3. Locate source of air leak and correct. 4. Replace hose. 5. Remove burrs or dirt. 6. Tighten. 7. Properly seat pressure plate against ring. 8. Replace part. 9. Lap off light scoring. Replace heavily scored parts. 10. Install properly. 11. Free up by removing burrs or dirt. 12. Replace assembly. 13. "O" ring must be in groove nearest outlet of union. 14. Install properly. Replace seal.

90-18 TROUBLE DIAGNOSIS—POWER STEERING GEAR AND PUMP (Cont'd)

COMPLAINT AND CAUSE	CORRECTION
<p>d. MONETARY INCREASE IN EFFORT WHEN TURNING WHEEL FAST TO THE RIGHT OR TO THE LEFT.</p> <ol style="list-style-type: none"> 1. Air in system. 2. Low oil level in pump. 3. High internal leakage. <p>NOTE: With engine idling, very fast movements of steering wheel may give higher effort or feel. This is a normal result and will last momentarily until the system "catches up" with the position of the valve.</p>	<ol style="list-style-type: none"> 1. Bleed gear. 2. Check oil level in pump reservoir. 3. Replace rack-piston ring and back-up "O" ring, rack-piston nut end plug seal, and/or replace valve.
<p>e. EXTERNAL OIL LEAKS</p> <p>NOTE: Wipe gear and pump thoroughly and make sure source of leakage is determined.</p> <ol style="list-style-type: none"> 1. Gear leaks. <ol style="list-style-type: none"> (a) Loose hose connections. (b) Damaged hose. (c) Side cover "O" ring seal. (d) Pitman shaft seal. (e) Housing end plug "O" ring seal. (f) Adjuster plug "O" ring seal. (g) Torsion bar "O" ring seal (See Figure 90-17). (h) Pitman shaft lash adjuster nut. (i) Stub shaft seal. 2. Pump leaks. <ol style="list-style-type: none"> (a) Oil leaking at top of reservoir as it is too full. (b) Oil leaking at top of reservoir caused by air bubbles in oil. (c) Reservoir "O" ring seal damaged or improperly installed. (d) Pressure union or reservoir to housing bolt and stud not tightened sufficiently. (e) Pressure union or reservoir to housing bolt and stud cross threaded or damaged. (f) Defective pressure fitting seat on hose end. (g) Damaged reservoir to housing or pressure union "O" ring seals. (h) Defective shaft seal. (i) Damaged shaft at seal area. (j) Leaks in metal parts. (Example: Drawing crack in reservoir.) 	<ol style="list-style-type: none"> (a) Tighten. (b) Replace. (c) Replace seal. (d) Replace seals. (e) Replace seal. (f) Replace seal. (g) Replace valve. (h) Replace nut. (i) Replace seal. <ol style="list-style-type: none"> (a) Remove oil to proper level. (b) Locate source of air leak and correct. (c) Replace "O" ring. (d) Torque union and stud and bolt to 30 lb. ft. (e) Replace damaged parts. (f) Replace hose. (g) Replace seals. (h) Replace seal. (i) Replace shaft. (j) Replace defective part.

90-18 TROUBLE DIAGNOSIS—POWER STEERING GEAR AND PUMP (Cont'd)

COMPLAINT AND CAUSE	CORRECTION
<p>f. NOISE</p> <p>1. Gear Noise (rattle or chuckle)</p> <p>(a) Loose "overcenter" adjustment.</p> <p>NOTE: A slight rattle may occur on turns because of the increased lash when off the "high point". This is normal and the lash must not be reduced below the specified limits to eliminate this slight rattle.</p> <p>(b) Gear loose on frame.</p> <p>2. Gear Noise ("hissing" sound).</p> <p>(a) A hissing noise is natural when steering wheel is at end of travel or when slowly turning at stand still.</p> <p>3. Gear Noise (squawk when turning or when recovering from a turn).</p> <p>(a) Cut or worn dampener "O" ring on valve spool.</p> <p>4. Pump noise.</p> <p>(a) Loose belt.</p> <p>(b) Hoses touching other parts of car.</p> <p>(c) Low oil level.</p> <p>(d) Air in the oil.</p> <p>(e) Excessive back pressure caused by hoses or steering gear.</p> <p>(f) Scored pressure plate.</p> <p>(g) Vanes not installed properly.</p> <p>(h) Vanes sticking in rotor slots.</p> <p>(i) Extreme wear of pump ring.</p> <p>(j) Face of thrust plate scored.</p> <p>(k) Scored rotor.</p> <p>(l) Defective flow control valve.</p>	<p>(a) Adjust to specification.</p> <p>(b) Tighten mounting bolts to 65 lb. ft.</p> <p>(a) Do not replace valve unless "hiss" is extremely objectionable. Investigate clearance around safety drive rivet pins. Be sure there is no metal-to-metal contact around flexible coupling as this will transmit valve hiss to car. Normally this shows up as an intermittent hiss. Realign steering column if necessary. Par. 90-24.</p> <p>(a) Replace dampener "O" ring.</p> <p>(a) Tighten belt.</p> <p>(b) Adjust hose positions.</p> <p>(c) Fill reservoir.</p> <p>(d) Locate source of air leak and correct.</p> <p>(e) Locate restriction and correct. With pressure gauge installed in pressure hose between pump and gear and engine running at 1500 RPM, oil warm, and no effort on the steering wheel. See Figure 90-72. Pressure should not exceed 125 psi. Check operation of check valve poppet, paragraph 90-15, subparagraph c, Step 6.</p> <p>(f) Lap out light scoring. Replace heavily scored part.</p> <p>(g) Install properly.</p> <p>(h) Free up by removing burrs and dirt.</p> <p>(i) Replace part.</p> <p>(j) Lap out light scoring. Replace heavily scored part.</p> <p>(k) Lap out light scoring. Replace heavily scored part.</p> <p>(l) Replace.</p>

90-18 TROUBLE DIAGNOSIS—POWER STEERING GEAR AND PUMP (Cont'd)

COMPLAINT AND CAUSE	CORRECTION
<p>g. EXCESSIVE WHEEL KICKBACK OR LOOSE STEERING</p> <ol style="list-style-type: none"> 1. Air in system. 2. Excessive lash between pitman shaft sector and rack-piston. 3. Loose thrust bearing adjustment. 4. Rack-piston nut to worm preload to low. 5. Incorrect installation or operation of the gear check valve poppet. 	<ol style="list-style-type: none"> 1. Add oil to pump reservoir and bleed. 2. Adjust to specification. 3. Remove gear and adjust to specification. 4. Remove rack-piston nut and worm, and change balls to obtain specified preload. 5. Check operation of valve, paragraph 90-15, subparagraph c, Step 6.
<p>h. STEERING WHEEL SURGES OR JERKS WHEN TURNING WITH ENGINE RUNNING Loose pump belt.</p>	Adjust to specification.
<p>I. HARD STEERING WHEN PARKING</p> <ol style="list-style-type: none"> 1. Loose pump belt. 2. Low oil level in reservoir. 3. Steering gear adjustments tight. 4. Insufficient oil pressure. <p style="text-align: center;">SPECIAL TOOL J-5176</p> <p>RETURN HOSE</p> <p style="text-align: center;">90-125</p> <p style="text-align: center;">Figure 90-72—Pressure Gauge Installed</p>	<ol style="list-style-type: none"> 1. Adjust to specification. 2. Fill to proper level. If excessively low, check all lines and joints for evidence of external leakage. 3. Adjust to specification. 4. If all of the above checks do not reveal the cause of hard steering, make the following tests of oil pressure: <ol style="list-style-type: none"> (a) Disconnect the pressure line at oil pump. Attach pressure gage to pump. Connect the hose to end of gage where the valve is located. See Figure 90-72. (b) With engine at hot idle and gage valve open, note the oil pressure on the gage while turning steering wheel from one extreme position to the other. Especially note the maximum pressure which can be built up with the wheel held in either right or left extreme position. <p>CAUTION: Do not hold wheel in extreme position for an extended period of time because it will drastically increase the oil temperature and will cause undue wear on the oil pump.</p> (c) With oil temperature between 150° F and 170° F, as measured with a thermometer in the reservoir, the maximum oil pressure should not be less than 1000 psi for satisfactory power steering operation.

90-18 TROUBLE DIAGNOSIS—POWER STEERING GEAR AND PUMP (Cont'd)

COMPLAINT AND CAUSE	CORRECTION
<p>i. HARD STEERING WHEN PARKING (Cont'd)</p> <p>5. Low oil pressure in gear caused by restriction in hoses.</p> <p>(a) Check for kinks in hoses.</p> <p>(b) Foreign object in hose.</p> <p>6. Low oil pressure due to steering gear.</p> <p>(a) Leakage at side cover "O" ring, housing end plug "O" ring, pitman shaft seals.</p> <p>(b) Pressure loss in cylinder due to worn piston ring, damaged back-up "O" ring or scored housing bore.</p> <p>(c) Leakage at valve rings, valve body to worm seal, rack-piston end plug seal.</p> <p>(d) Loose fit of spool in valve body or leaky valve body.</p> <p>7. Incorrect installation or operation of the gear check poppet valve.</p>	<p>(d) If the maximum oil pressure is less than 1000 psi, it indicates trouble in the pump, oil hoses, steering gear, or a combination of these parts. To eliminate the hoses and gear, close the gauge valve and quickly test pressure of the pump only with the engine at warm idle, then open the valve to avoid increasing oil temperature. A minimum pressure of 1000 psi should be present with valve closed.</p> <p>(e) Comparing the maximum pressure obtained in these two tests will indicate source of trouble as follows: Step (b) pressure low and Step (d) pressure normal indicates faulty external oil lines or steering gear. Step (b) and Step (d) pressures equally low indicates faulty oil pump.</p> <p>(a) Remove kink.</p> <p>(b) Remove hoses and remove restricting object or replace hose.</p> <p>(a) Replace defective seals.</p> <p>(b) Remove gear from car for disassembly and inspection of rings and housing bore.</p> <p>(c) Remove gear from car for disassembly and replace seals.</p> <p>(d) Replace rotary valve assembly.</p> <p>7. To determine if the poppet valve is installed and operating correctly, disconnect the pressure hose and install a pressure gage between the hose and the pump. With the engine at warm idle (525 RPM) and no effort on the steering wheel, oil pressure should not exceed 60 psi with warm oil. If gage indicates more than 60 psi the poppet valve should be checked for correct installation. Paragraph 90-15, subparagraph c, Step 6.</p>
<p>j. NO EFFORT REQUIRED TO TURN Broken torsion bar.</p>	<p>Replace rotary valve assembly.</p>