

# SECTION C

## 49000 RADIATOR AND GRILLE

### CONTENTS

Division	Paragraph	Subject	Page
I	130-3	SPECIFICATIONS AND ADJUSTMENTS: Radiator Mounting . . . . .	130-10
II		DESCRIPTION AND OPERATION:	
III		SERVICE PROCEDURES: Removal and Installation Obvious Upon Inspection See Illustrations.	
IV		TROUBLE DIAGNOSIS:	

### DIVISION I SPECIFICATIONS AND ADJUSTMENTS

#### 130-3 RADIATOR MOUNTING

The radiator mounting is a four-point system using rubber inserts on "U" shaped brackets (for the lower mounting). The upper brackets are part of the upper radiator mounting panel. The lower brackets mount on the lower portion of the radiator mounting panel.

#### INDEX OF ILLUSTRATIONS

Figure Number	Description	Page
130-7 . . . . .	49000 Radiator, Fan Shroud, Support Assembly . . . . .	130-11
138-8 . . . . .	49000 Grille, Support, Headlamp and Vacuum Motor . . . . .	130-12
130-9 . . . . .	49000 Headlamp Support, Grille Door, Headlamp Door . . . . .	130-13
130-10 . . . . .	49000 Hood Latch, Support. . . . .	130-14

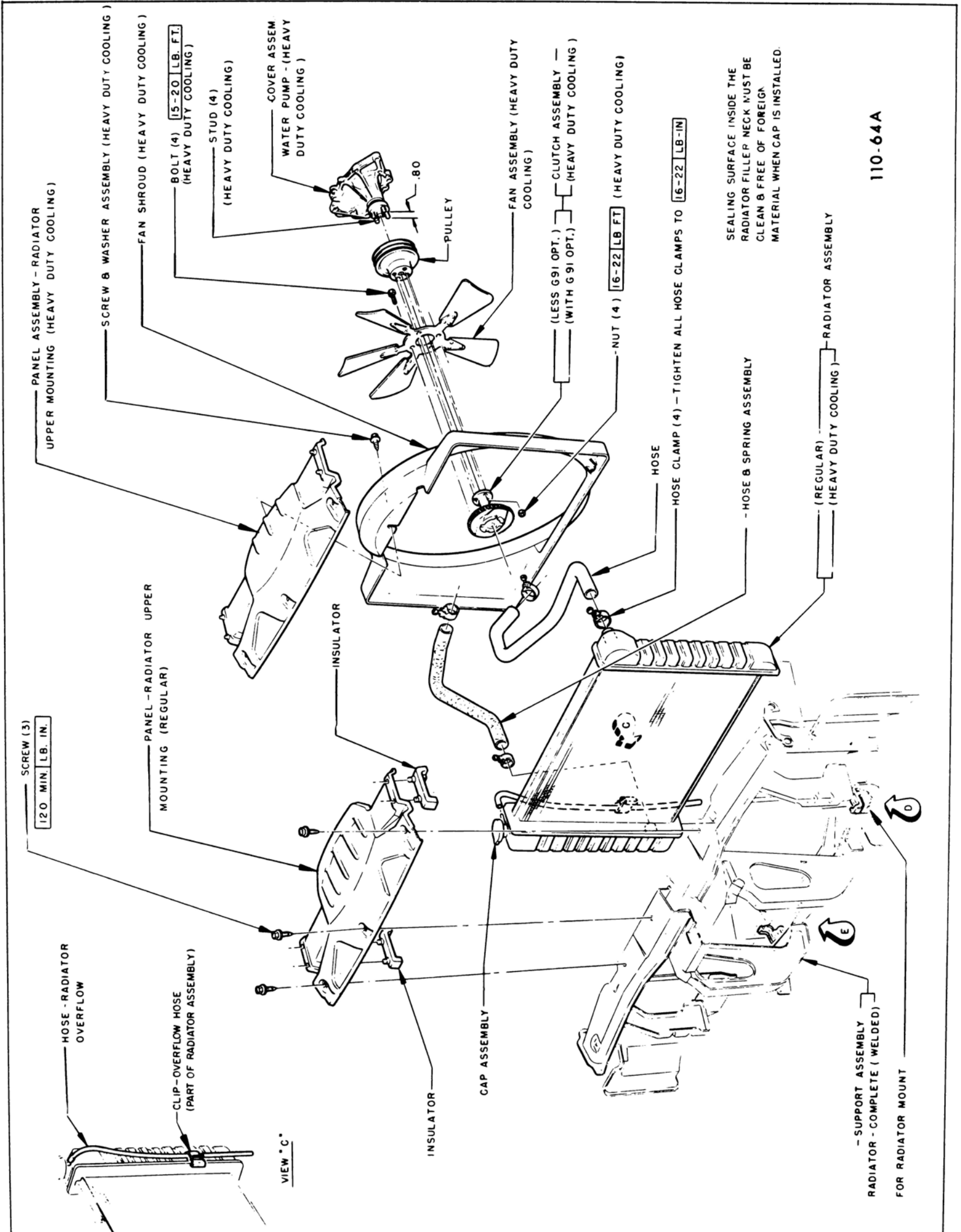


Figure 130-7-49000 Radiator, Fan Shroud, Support Assembly

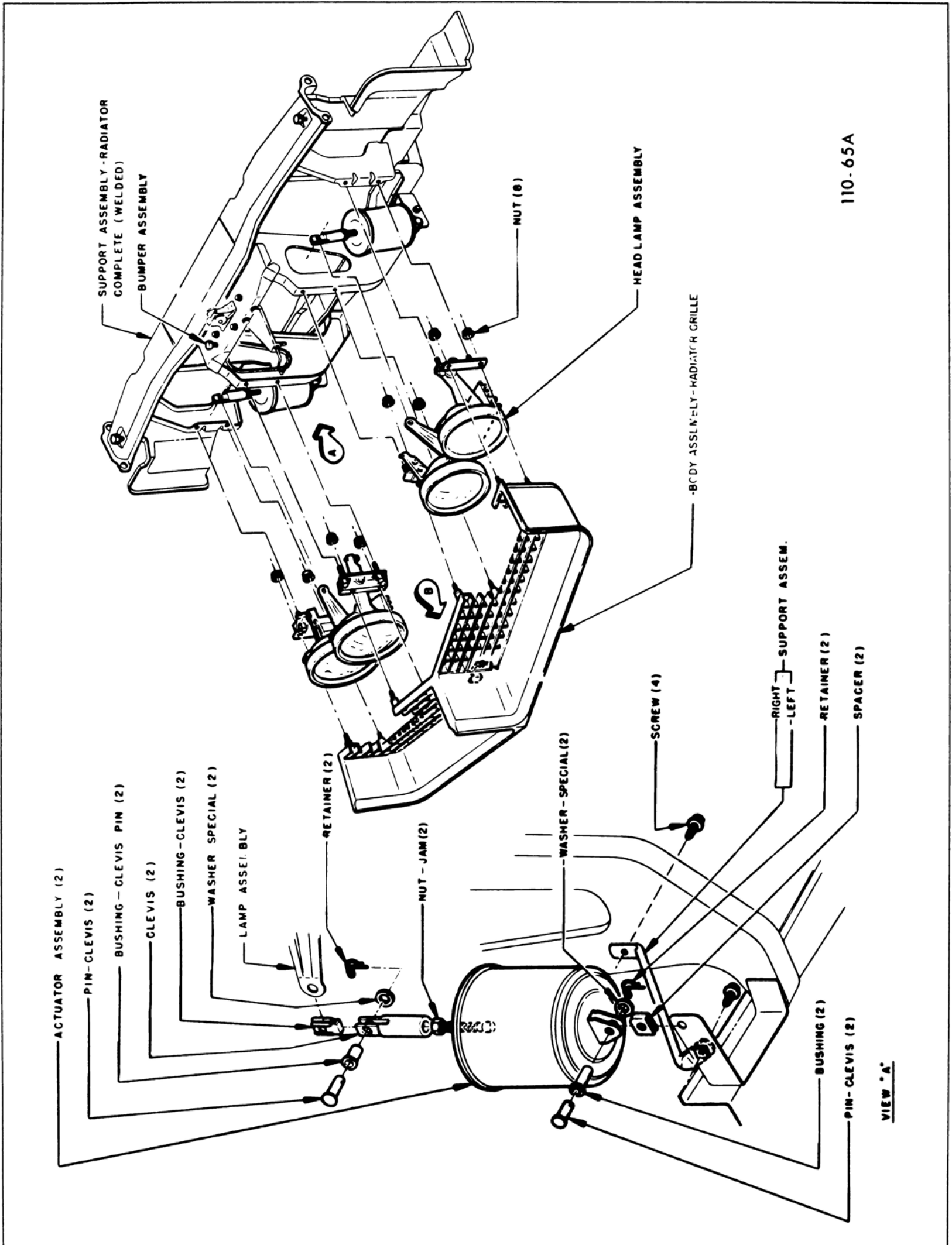


Figure 130-8—49000 Grille, Support, Headlamp and Vacuum Motor

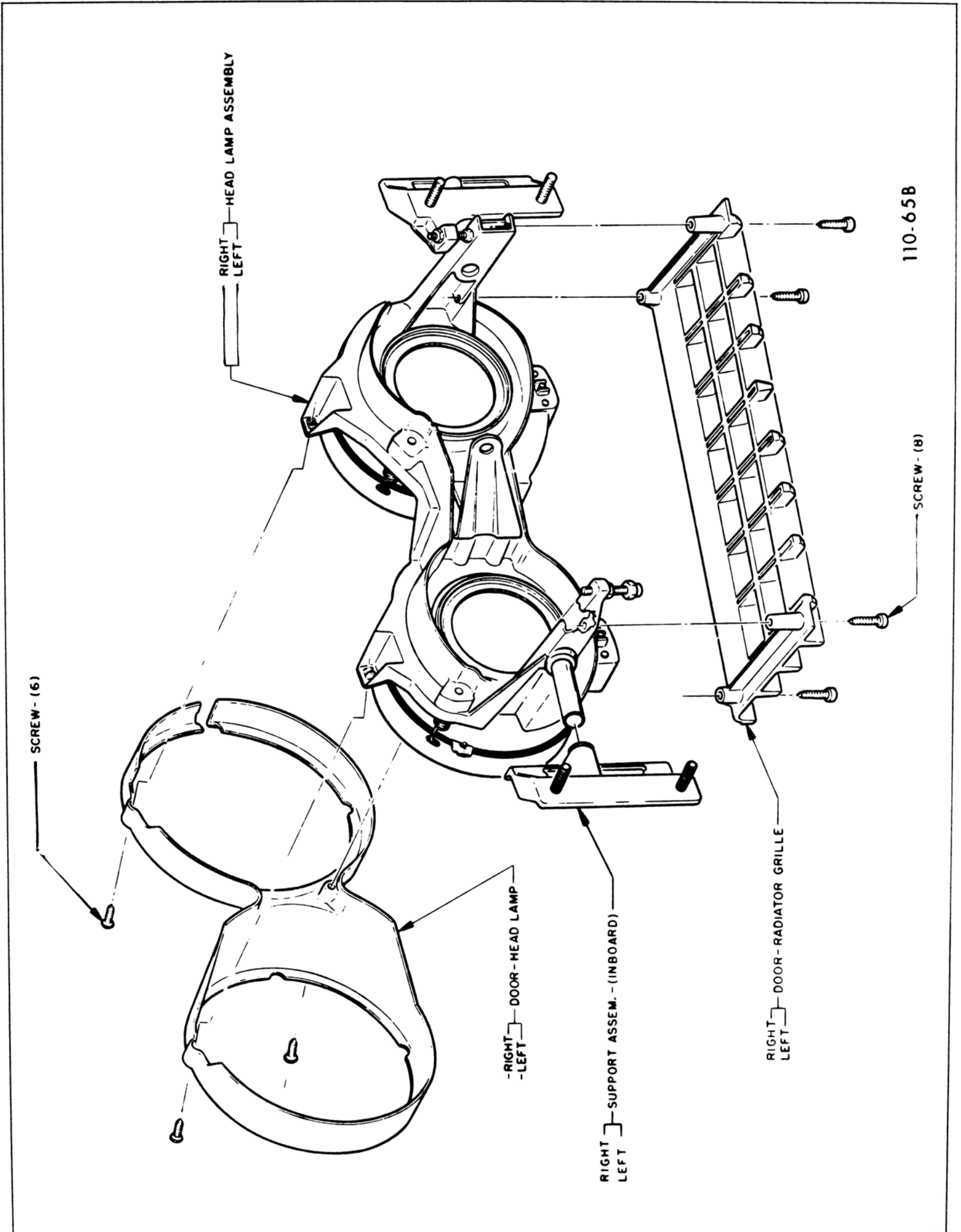


Figure 130-9-49000 Headlamp Support Grille Door, Headlamp Door

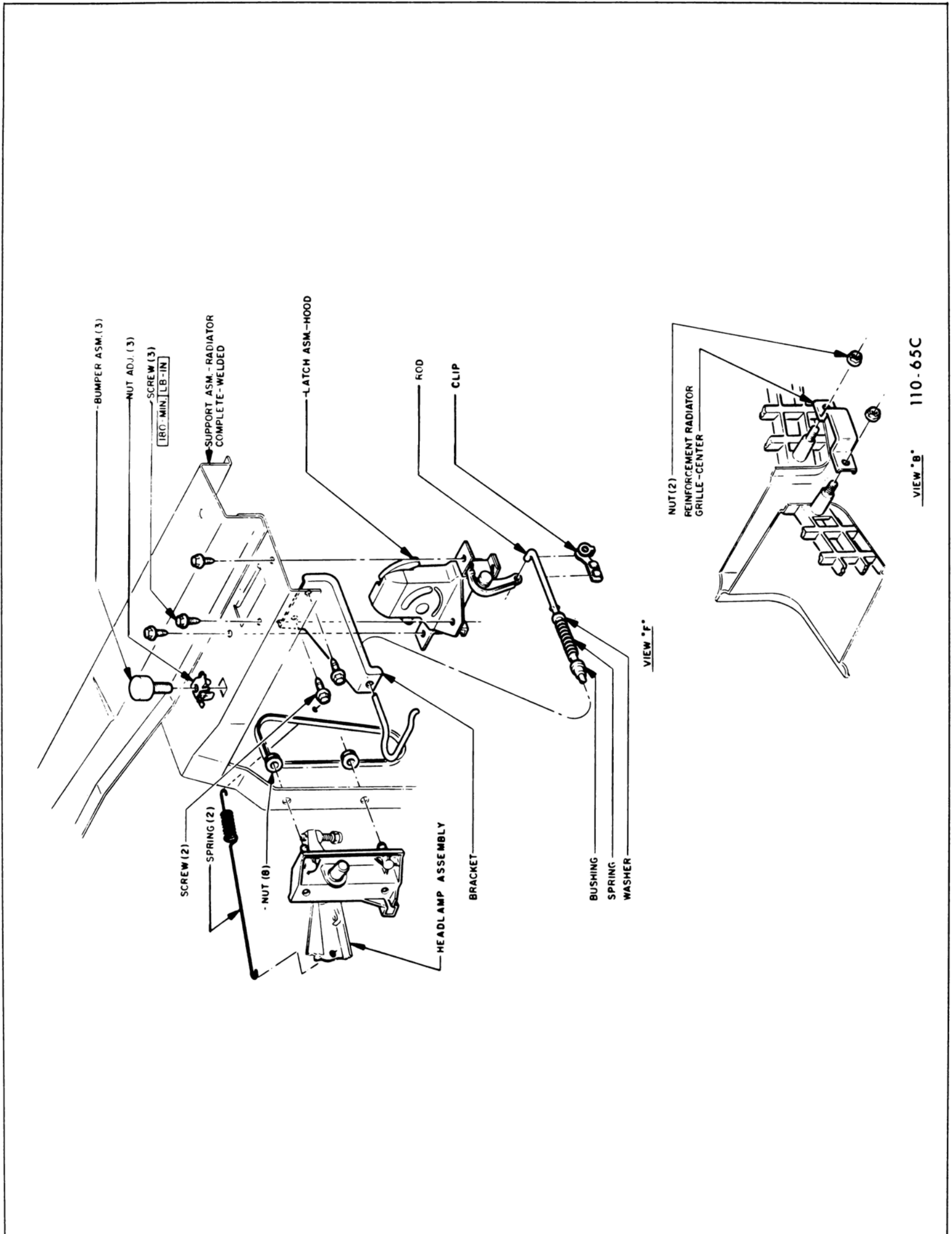


Figure 130-10-49000 Hood Latch, Support