

SECTION D

ROCHESTER 4GC CARBURETOR

CONTENTS

Division	Paragraph	Subject	Page
I		SPECIFICATIONS AND ADJUSTMENTS:	
	64-18	Rochester 4GC Carburetor Calibrations	64-30
	64-19	Rochester 4GC Carburetor Adjustments	64-31
II		DESCRIPTION AND OPERATION:	
	64-20	Description and Operation of Rochester 4-Barrel Carburetor . .	64-31
III		SERVICE PROCEDURES:	
	64-21	Disassembly, Cleaning and Inspection of Rochester 4-Barrel Carburetor	64-36
	64-22	Assembly and Internal Adjustment of Rochester 4-Barrel Carburetor	64-37
	64-23	External Adjustment of Rochester 4-Barrel Carburetor	64-38

DIVISION I SPECIFICATIONS AND ADJUSTMENTS

64-18 ROCHESTER 4GC CARBURETOR CALIBRATIONS

Tag Color	Gold
Model Designation	4GC
Number of Barrels	4
Code Number, for Following Calibrations	7026040
Throttle Bore	Primary 1 9/16" Secondary 1 11/16"
Small Venturi	1/4 " 1/4 "
Large Venturi	1 1/8 " 1 15/32"
Main Meeting Jet	
Production052"-60° .080"-60°
High Altitude050"-60° .077"-60°

Use High Altitude Jets Above 3500 Feet.

Idle Tube Restriction	#68	#64
Idle Needle Hole		#55
Spark Holes		1/8"
Pump Discharge Holes		4-#71
Choke Restriction		
Inlet		3/16"
Outlet		#41
Choke Setting		Index
Choke Coil Number		32
Dome Vent		-
Cluster Top Bleed		-
Cluster Side Bleed		-
Fast Idle Cam Number		7029553

64-19 ROCHESTER 4GC CARBURETOR ADJUSTMENTS

Float Level Adjustment	1 13/32"
Float Drop Adjustment	1 1/16"
Pump Rod Location	Center Hole
Pump Rod Adjustment	1"
Choke Rod Adjustment060"
Choke Unloader Adjustment120"
Choke Setting	Index
Initial Idle Speed	2 Turns In
Initial Idle Mixture	1 1/2 Turns Out
Choke Piston Setting, Choke Closed	Must Project 1/32"
Secondary Contour Adjustment030"
Secondary Lock-Out Adjustment015"
Fast Idle Speed in Drive (Hot, on Low Step)	600 RPM

**DIVISION II
DESCRIPTION
AND OPERATION**

**64-20 DESCRIPTION AND OPERATION OF
ROCHESTER 4-BARREL CARBURETOR**

a. General Description

The Rochester Model 4GC is a 4-barrel down-draft type which provides the advantages of a compound installation of two 2-barrel carburetors in one compact unit. See Figure 64-30. To aid description and the proper identification of parts the carburetor is considered to be divided into a primary section and a secondary section.

The primary section covers the 2-barrelled forward half of the carburetor assembly. This section is essentially a complete 2-barrel carburetor containing a float system, idle system with adjustable needle valves, main metering system, power system,

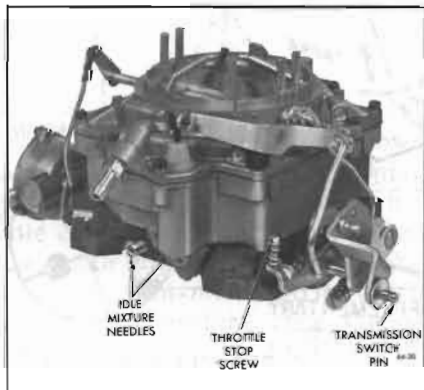


Figure 64-30—Rochester 4-Barrel Carburetor

and accelerating system. This section also includes the automatic choke mechanism.

The secondary section covers the 2-barrelled rearward half of the carburetor assembly. This section is essentially a supplementary 2-barrel carburetor which cuts in to assist the primary section when a predetermined throttle opening and engine RPM are reached. This section contains a float system, a non-adjustable idle system, and a main metering system. It has a separate set of throttle valves and a set of auxiliary valves, which are located in the barrels above the throttle valves.

The primary throttle valves are operated by the accelerator pedal and the connecting throttle linkage. The secondary throttle valves are operated by the primary throttle valve shaft through delayed action linkage which permits a predetermined opening of the primary valves before the secondary valves start to open. Action of the linkage then causes both sets of throttle valves to reach the wide open position at the same time.

b. Operation of Float System

The model 4GC carburetor uses two sets of twin floats to maintain correct fuel level in both primary and secondary sides of the float bowl under all conditions of operation.

The primary and secondary float assemblies are new in that the

pontoons are made of a closed cell plastic compound. The new material has less weight and is consequently more buoyant than the conventional brass pontoon and are, therefore, smaller. The smaller pontoons allow a greater fuel reserve in the float bowl.

The new float assemblies use torsion springs wrapped around the hinge pin which give additional assist to the float in closing the float needle valve which consequently gives a faster reaction float. The primary and secondary float assemblies and torsion springs are completely interchangeable.

Fuel from the engine fuel pump enters the carburetor through the inlet fitting on the primary side of the air horn. It then goes to the primary needle seat and to the secondary needle seat through a cross channel cast in top of the air horn assembly. See Figure 64-31.

When the fuel is used from either the primary or secondary side of the float bowl, the floats automatically drop, allowing the float needles to come off their seats. Fuel under pressure from the fuel pump forces fuel through the inlet filter past the float needle into the float bowl, until the desired fuel level is reached and the float needles are forced against the needle seats stopping fuel flow. As explained previously, the floats are spring loaded by a torsion spring located on the hinge pin between the float hanger posts. The purpose of the torsion

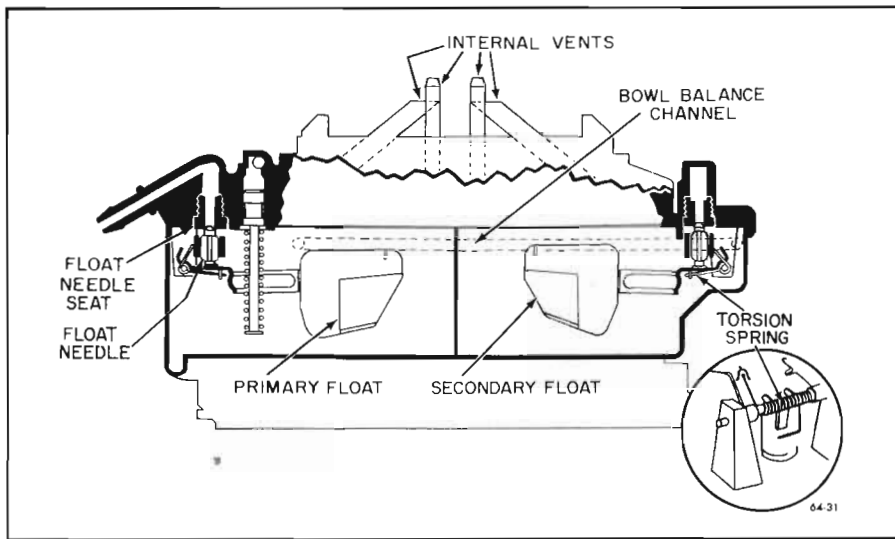


Figure 64-31—Primary and Secondary Float Systems

spring is to supply additional pressure on the float arm to assist the float in closing the float needle valve.

Both primary and secondary sides of the carburetor float bowl are individually and internally vented by vent tubes which transmit the air pressure from beneath the air cleaner to the fuel in the float bowl. The air vent tubes balance the air pressure from beneath the air cleaner to the fuel in the float bowl. The amount of fuel needed by the carburetor is dependent upon the air pressure in the float bowl causing fuel to flow. By locating the vents below the air cleaner, or internally, the carburetor automatically compensates for air cleaner restriction, hence the same pressure causing air to flow will also be causing fuel to flow.

A cored passage in the float bowl slightly above the normal fuel level, connects the fuel chambers on the primary and secondary sides of the float bowl. In this way, any abnormal rise in fuel level in one side of the carburetor bowl will automatically balance with the other side. It should be noted the secondary side of the balance channel extends around

to the rear of the float bowl. This helps prevent fuel from transferring from the secondary to the primary side of the carburetor when the vehicle is parked downhill on a very steep grade.

c. Operation of Idle (Low Speed) Systems

Each barrel of the carburetor has a separate idle system but the general operation is identical in

all barrels. The idle system in each barrel supplies fuel to the engine whenever the position of the throttle valve is such that suction is created at the idle discharge holes in the throttle body.

Suction on an idle discharge hole causes fuel in the float chamber to flow through the main metering jet and upward into the idle tube which meters the fuel. Calibrated bleed holes permit air to enter at the top and side of the idle passage in the cluster so that a mixture of fuel and air passes down the idle channel through lower idle air bleeds which are in the primary side of the main body. Additional air is drawn into the fuel-air mixture in the idle channel through lower idle air bleeds which are in the primary side of the main body. See Figure 64-32.

When the throttle valve is closed, the fuel-air mixture is supplied through the lower idle discharge holes only, since the upper holes are above the valve and are not affected by suction. As the throttle valve is opened, suction is also placed on the upper idle discharge holes which then feed additional fuel-air mixture into

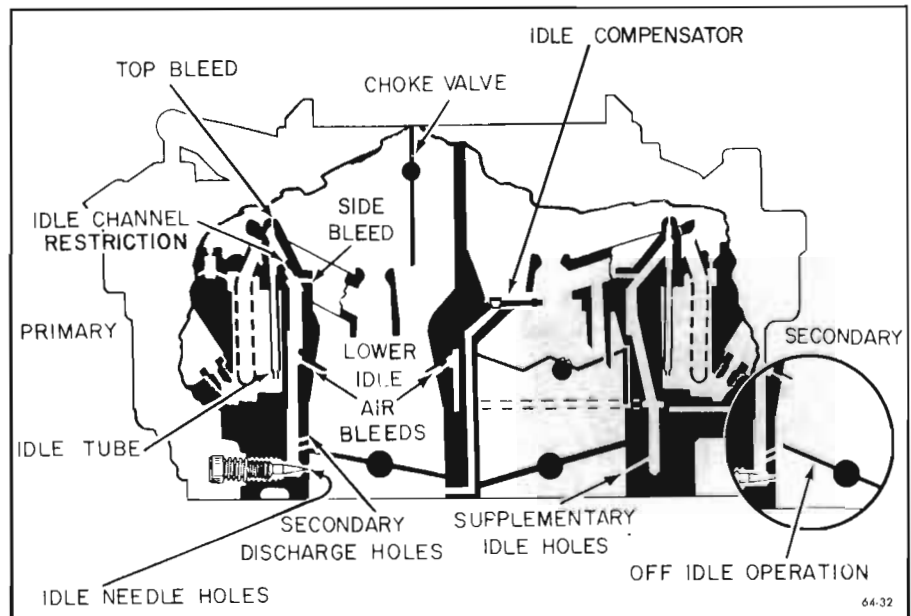


Figure 64-32—Primary and Secondary Idle Systems

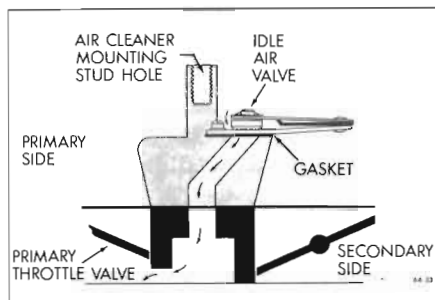


Figure 64-33—Idle Compensator

the engine. With continued opening of the throttle valve the suction on the idle discharge holes tapers off until a point is reached where the idle system no longer supplies fuel-air mixture. Before this point is reached however, the main metering system has begun to supply fuel, as described later.

The lower idle air bleeds discharge fuel after the idle systems cease to operate, thereby keeping fuel immediately available in the idle channels at a point very near the idle discharge holes and also enriching the mixture being delivered by the main metering system.

In the primary section, the quantity of fuel-air mixture supplied through the lower idle discharge holes is controlled by the idle needles, which may be adjusted to provide smooth engine idle operation. In the secondary section, the quantity of idle fuel-air mixture is controlled by the fixed size of discharge holes located in the rear of the secondary throttle bores.

On the secondary side of the float bowl, a thermostatic valve allows additional air to enter the primary bores under extreme hot idle conditions. This valve, called the "idle compensator", is operated by a bi-metal strip which senses temperature. See Figure 64-33. In a prolonged hot idle the bi-metal strip bends, raising the valve and uncovering a hole leading to the underside of the primary throttle valves. The

additional air drawn into the engine in this manner is sufficient to offset the enriching effects of high temperatures and prevent hot idle stalling. When underhood temperatures are lowered, the valve closes and operation returns to normal. This valve cannot be repaired, so a defective valve must be replaced.

d. Operation of Main Metering Systems

Each barrel of the carburetor has a separate main metering system; however, the operation of all systems is identical. The main metering system in each barrel supplies fuel to the engine whenever the position of the throttle valve is such that the incoming air stream creates suction on the main discharge nozzle.

Air entering the barrel through the air horn passes through the venturi tubes which increases the velocity of the air and creates a suction on the main discharge nozzle. This causes fuel to flow from the float chamber through the main metering jet into the main discharge nozzle. Air is drawn in through the high speed bleeder so that a mixture of fuel and air is discharged from the main discharge nozzle into the air stream passing through the small venturi in the barrel of the carburetor. See Figure 64-33.

The main metering system in the primary section control the flow of fuel during the intermediate or part throttle range of operation and up to approximately 85 MPH if the car is accelerated gradually. The secondary throttle valves remain closed until the primary valves have opened approximately 45-55 degrees, after which they are opened proportionately so that all valves reach the wide open position at the same time. While the secondary throttle valves are closed, the auxiliary

valves located above them are held closed by the spring tension on the auxiliary valve shaft; therefore, there is not sufficient air flow through the barrels to operate the main metering system in the secondary section.

When the secondary throttle valves are open and engine speed is about 1600 RPM, the resulting air flow through the secondary barrels starts to open the auxiliary valves because their supporting shaft is located off-center in the barrels. The auxiliary valves will be fully open at approximately 2800 RPM. When the auxiliary valves are open the main metering systems in the secondary section also supply fuel to the engine. See Figure 64-34.

During the period in which the secondary throttle valves are open and air flow is not high enough in the secondary bores to open the auxiliary valves, additional fuel is needed for the air which by-passes around the auxiliary valves. This additional fuel is supplied by tubes which extend from the mixture channel in the venturi cluster arm to the low pressure point below the closed auxiliary valves. The tubes are slanted on the bottom to provide a smoother transition between the opening of the secondary valves and the opening of the auxiliary valves. When the air flow is high enough to open the auxiliary valves, the down tubes no longer feed the fuel because the low pressure point is now in the small venturi. With this feature the correct fuel-air mixture is supplied at any point during secondary throttle valve operation.

e. Operation of Power System

For maximum power under load or for all speeds above approximately 85 MPH, a richer mixture is required than that necessary for normal throttle opening. This additional fuel is provided by one power system connected to the

main metering systems in the primary section of the carburetor. See Figure 64-34.

The power piston cylinder in the air horn of the carburetor is connected by a channel to the face of the mounting flange so it is subject to intake manifold vacuum. At part throttle position the vacuum is sufficient to hold the power piston in its "up" position against the tension of the piston spring. When the throttle valves are opened to a point where manifold vacuum drops to approximately 9 to 5 inches of mercury and additional fuel is required for satisfactory operation, the piston spring moves the power piston down to open the power valve. This allows additional fuel to enter the main discharge nozzles in the primary section through calibrated restrictions

located below the main metering jets. See Figure 64-34.

f. Operation of Accelerating System

For smooth and rapid acceleration it is necessary to supply an extra quantity of fuel momentarily when the throttle is opened suddenly. This is accomplished by one accelerating pump piston which is directly connected to the primary throttle shaft lever by means of a rod and pump lever.

When the throttle is closed, the pump piston moves up and draws a supply of fuel from the float chamber through the inlet strainer, past the inlet ball check valve and into the pump cylinder. When the throttle is opened, the piston

on its downward stroke exerts pressure on the fuel which closes the inlet check ball and opens the outlet check ball. A metered quantity of fuel is then discharged through the pump discharge nozzles into each barrel in the primary section of the carburetor. This occurs only momentarily during the accelerating period. The pump duration spring which is compressed by the downward movement of the pump linkage against the resistance of the fuel provides a follow-up action so that the discharge carries out over a brief period of time. A ball check in the accelerator pump plunger acts as a vapor vent to prevent vapor pressure from forcing fuel from the pump discharge holes during extreme heat periods. Downward movement of the plunger, however, seats the ball and allows normal operation

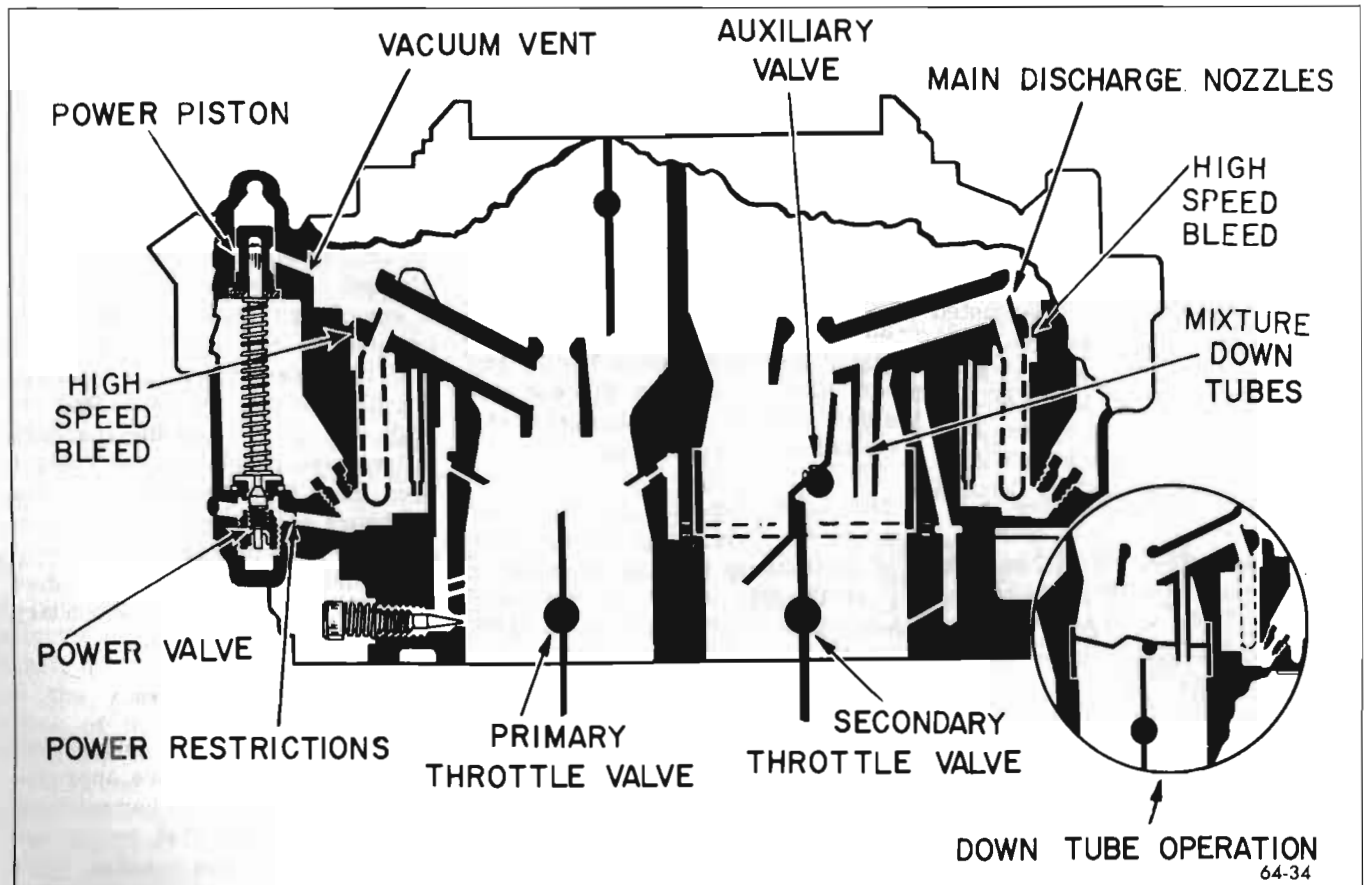


Figure 64-34—Main Metering and Power Systems

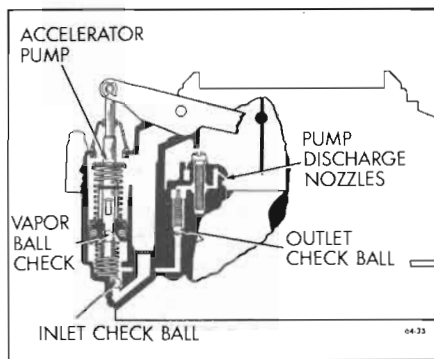


Figure 64-35—Accelerating System

of the accelerating system. See Figure 64-35.

When the desired speed is reached and the throttle is held in a fixed position, the pressure on the fuel decreases sufficiently so that the outlet check ball closes and fuel ceases to discharge from pump nozzles. Thus a quantity of fuel is maintained in the channel adjacent to the outlet check ball where it is immediately available for future requirements.

g. Operation of Choke System

The automatic choke mechanism is contained in the primary section of the carburetor. It consists of a choke valve mounted on a shaft in the carburetor air horn connected through linkage to a thermostat mounted on the carburetor throttle body. The thermostat contains a bi-metal spring and a vacuum actuated piston. A choke rod connects the choke valve to a fast idle cam on the throttle body. A heat pipe connects the choke housing to a heat stove in the right exhaust manifold. See Figure 64-36.

The heat stove in the exhaust manifold heats the air which is drawn through it and the heat pipe into the choke housing. A restriction in the choke housing cover regulates the quantity of air flowing into the choke housing to heat the thermostat.

When the accelerator pedal is depressed preparatory to starting the engine, the throttle stop screw is lifted clear of the fast idle cam and the thermostat then closes the choke valve. When the engine starts, intake manifold vacuum causes the piston to partially open the choke valve against the spring tension of the thermostat, thereby admitting sufficient air to give a satisfactory running mixture.

If the throttle is partially opened while the running engine is cold, the increased force of air flow against the off-set choke valve will open the valve against the spring tension of the thermostat. At the same time the choke valve opens, the fast idle cam will also drop to a new position, thereby reducing the fast idle speed when the throttle is again closed.

As the engine and exhaust manifold warm up, warm air is drawn through the heat pipe into the choke housing by manifold vacuum. This warms the thermostat, causing it to reduce its spring tension on the choke valve in proportion to the increase in temperature. This, in turn, allows the choke valve to be opened by

the combined forces of air velocity on the valve and vacuum on the choke piston.

When the engine reaches normal operating temperature, the choke thermostat is heated to the point where it no longer exerts any spring tension on the choke valve. The choke valve is in the wide open position and the fast idle cam is in the slow idle position so that the fast idle screw misses the cam completely. The throttle stop screw now takes over in determining curb idle speed.

h. Operation of Choke Unloader

If the engine becomes flooded for any reason, the choke valve can be partially opened by depressing the accelerator pedal to the full extent of its travel. This causes an arm on the throttle lever to contact and rotate the fast idle cam, which forces the choke valve open.

i. Operation of Secondary Lock-Out

The secondary section does not have a choke valve in the air horn. In order to prevent air

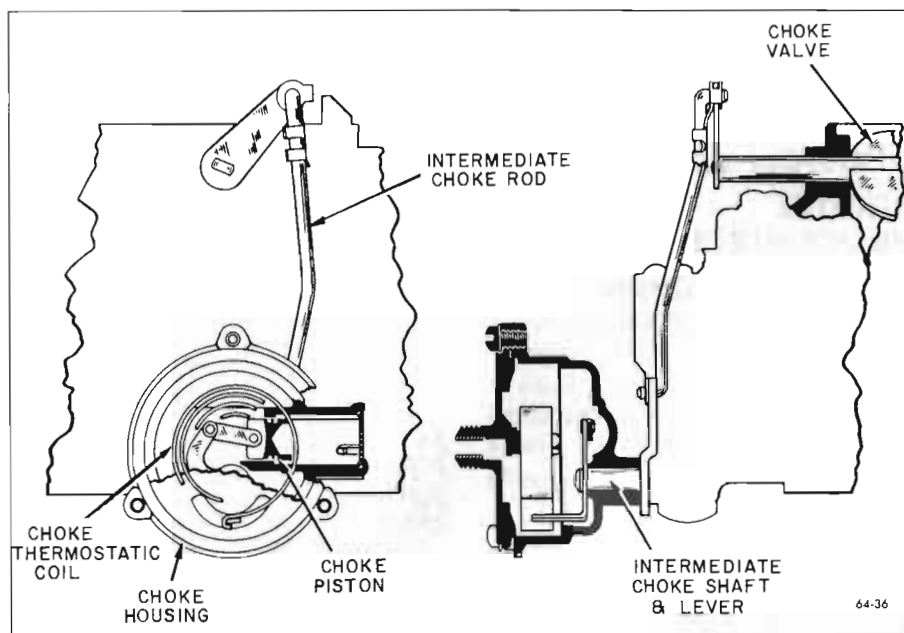


Figure 64-36—Choke System

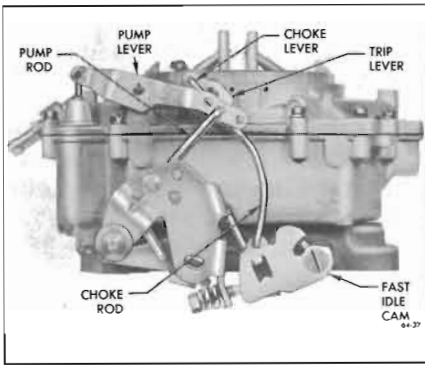


Figure 64-37—Exterior Linkage

from entering the carburetor through the secondary side during the engine warm-up period it is necessary to block the movement of the secondary throttle valves by means of the lock-out slot in the fast idle cam.

When the choke valve is in any position except wide open, it holds the fast idle cam up from its lowest position. This causes a lock-out slot in the fast idle cam to engage, a tang on the secondary throttle shaft lever which prevents the secondary throttle valves from opening.

When the choke is wide open the lock-out slot of the fast idle cam drops to its lowest position; the secondary throttle shaft tang is then free to move and the secondary valves can open.

DIVISION III SERVICE PROCEDURES

64-21 DISASSEMBLY, CLEANING AND INSPECTION OF ROCHESTER 4-BARREL CARBURETOR

1. Remove spring clip from upper end of intermediate choke rod and disengage rod from choke shaft lever. See Figure 64-37.
2. Remove clip from upper end of pump rod and disengage rod from pump lever. Remove horseshoe clip from upper end of pump plunger.

3. Remove choke trip lever and attaching screw. Disengage choke lever and collar assembly from choke shaft and disengage lower end of choke rod from fast idle cam. Then remove choke lever and collar, and choke rod as an assembly. See Figure 64-37.

4. Remove two choke valve attaching screws. Remove choke valve from slot in shaft. Remove burrs from choke shaft, then remove shaft from air horn.

5. Remove all air horn screws, then carefully lift air horn straight up from main body to avoid damaging floats, pump plunger, and vacuum power piston which are attached to air horn.

6. Remove float hinge pin, float, float torsion spring and needle from primary side being careful not to damage small spring. Then remove inlet needle seat and gasket. Remove fuel inlet strainer.

NOTE: Keep primary float system parts separate from secondary float system parts.

7. Remove float hinge pin, float, float torsion spring, needle, needle seat, and gasket from side opposite pump (secondary). Then remove needle seat strainer.

8. Remove pump plunger assembly and boot from air horn. Remove air horn gasket.

9. Remove power piston assembly by compressing spring and letting it snap repeatedly until hammering action of power piston drives staked retaining disk from air horn.

NOTE: It may be necessary to remove burrs if heavy staking is encountered.

10. Remove thermostat cover screws and retainers. Remove thermostat cover assembly and gasket. Remove choke baffle plate. Remove choke piston lever screw and take choke piston, piston pin, connecting link, and lever from thermostat housing as an assembly.

11. Remove screws holding thermostat housing to throttle body. Remove thermostat housing and gasket. Then remove intermediate choke shaft, lever, and rod from choke housing as an assembly.

12. Remove attaching screws from cluster assembly on pump side of carburetor (primary). Then carefully remove cluster assembly and gasket.

NOTE: Keep primary main body parts separate from secondary main body parts as they are all different.

13. Remove both main metering jets from pump side of main body. See Figure 64-42. Remove power valve and gasket.

14. Remove pump return spring from pump plunger well. Remove outlet check ball spring guide from outlet hole. Carefully invert carburetor main body and catch aluminum pump inlet check ball and larger steel pump outlet ball in hand.

15. If necessary, remove pump inlet screen and retainer from bottom of float bowl.

NOTE: If screen is not visibly damaged or plugged, it need not be removed.

16. Remove secondary cluster assembly screws, cluster assembly, and gasket. Remove both secondary main metering jets.

17. Remove idle compensator and gasket from secondary side by removing two self-tapping screws.

Be Careful not to bend or distort valve holder strip or bi-metal strip.

18. Invert carburetor. Remove idle mixture adjusting needles and springs. Remove vacuum hose fitting.

19. Remove throttle body to main body screws. Asbestos plug and retainer must be removed to gain access to one screw. Remove throttle body and gasket.

20. Remove auxiliary throttle

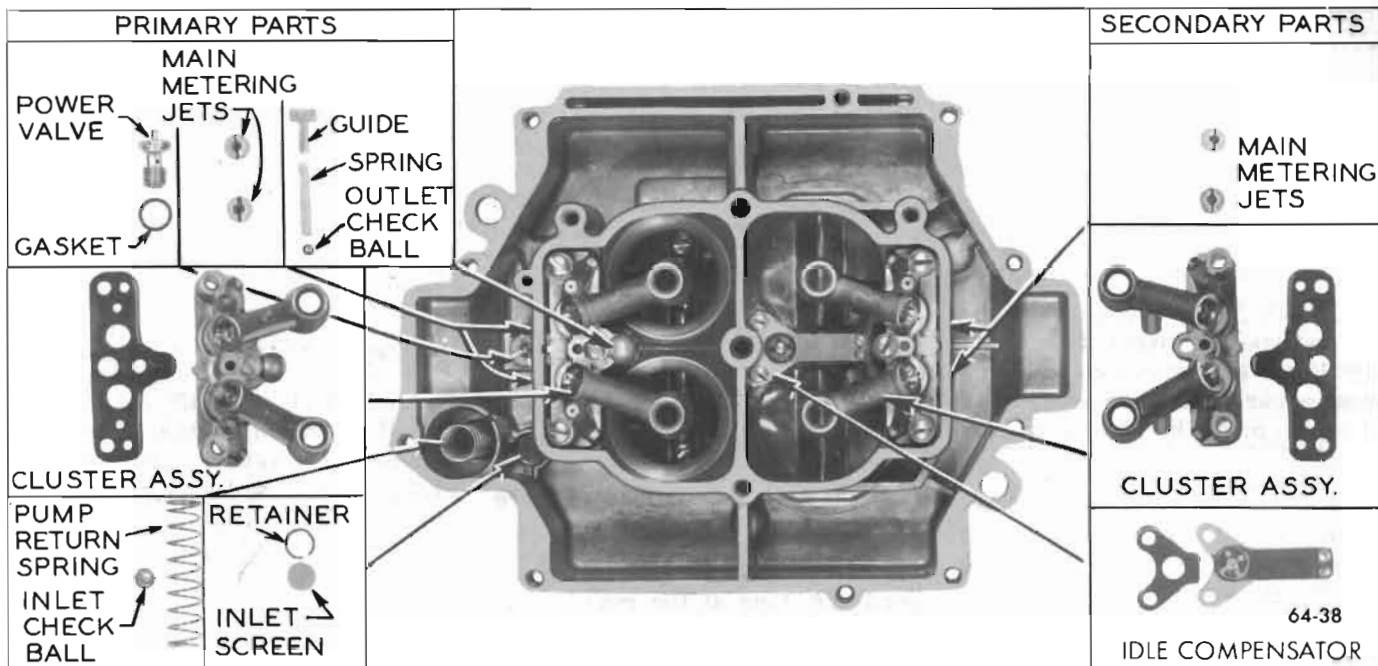


Figure 64-38—Main Body Parts

body assembly by lifting straight up from inverted bowl.

CAUTION: This auxiliary throttle assembly should not be disassembled because it is calibrated at the factory.

21. The throttle body assembly consisting of the body, primary and secondary throttle valves, shafts, levers, and springs is serviced only by replacing the assembly. Therefore the throttle body should not be disassembled further for normal cleaning and inspection.

64-22 ASSEMBLY AND INTERNAL ADJUSTMENT OF ROCHESTER 4-BARREL CARBURETOR

When assembling the carburetor, use all new gaskets and any additional new parts found to be necessary during inspection. Calibrated parts must be as specified for carburetor CODE number.

1. With main body inverted on bench, place auxiliary throttle body assembly in its proper position with screw heads toward top of carburetor. Check to make

sure it is flush or slightly below main body casting.

2. Place new gasket on main body and install throttle body assembly and screws.

3. If removed, install throttle stop screw and fast idle screw with springs (throttle stop screw has a round point; fast idle screw has a flat point). Install vacuum hose fitting. Install both idle mixture needles and their springs. Seat needles lightly and back out 1-1/2 turns which will provide an average starting adjustment. Forcing needles hard against seats will score them and ruin them for service.

4. Place throttle body and main body assembly in upright position on bench or mounting fixture.

5. Install idle compensator using a new gasket. Install secondary cluster assembly using a new gasket. This cluster has no pump discharge nozzles.

6. Install all four main metering jets. These jets have tapered seats and do not require gaskets.

NOTE: The primary jets are the two having the smaller holes and are installed in the pump side of the body.

7. Install pump outlet check ball. This is a steel ball and is larger than the pump inlet ball. Install pump outlet ball spring and spring guide.

8. Install primary cluster assembly, screws, lock washers, and new gasket in pump side of carburetor.

9. Install new pump inlet screen and retainer if old screen was removed.

10. Install pump inlet check ball (small aluminum) and pump return spring.

NOTE: Never substitute a steel ball for the aluminum ball.

11. Install power valve and gasket.

12. Assemble choke piston and pin to choke piston lever and connecting link, making sure that pin hole in piston is opposite from tang on lever. Then install in thermostat housing. Install inter-

mediate choke shaft lever, and rod assembly in choke housing with lever hanging down. Connect choke piston lever to intermediate choke shaft with screw. Do not use lubricant of any kind on piston or in cylinder.

13. Install thermostat housing on throttle body using a new gasket.

14. Install pump plunger assembly and boot in inverted air horn. Install power piston assembly and stake securely in air horn. Power piston must be free in any position.

15. Install new air horn gasket. Install a fuel inlet strainer on inlet side of each needle seat. Install float needle seats and gaskets.

16. Install primary and secondary float assembly and torsion springs on the air horn, retaining in place with hinge pins. Make sure torsion springs are installed correctly. See Figure 64-39.

17. Adjust Float Level. (Primary and Secondary). With the air horn inverted and air horn gasket in place, measure the distance from the air horn gasket to the top of the float, as shown in Figure 64-39.

18. Do not attempt to bend float hanger next to the float pontoon as breakage may occur.

19. Align pontoons to make sure they do not rub side of carburetor bowl. They are aligned correctly when they are parallel and centered in the gasket cut-outs. See Figure 64-40. Bend float arms to align. Do not attempt to bend pontoons at float arm attaching point.

20. Adjust Float Drop. (Primary and Secondary).

21. With the air horn held upright, measure the distance from the air horn gasket to the bottom of scribe line on the side of float pontoon, as shown in Figure 64-41.

22. If an adjustment is necessary, bend the tang at the rear of the float arms toward the needle and seat to decrease the setting; away from the needle and seat to increase the setting.

23. If any float setting is changed, always recheck all other adjustments and alignment of that float.

24. Install air horn assembly on main body, using care to avoid distortion of float assemblies and making certain that pump piston cup does not have any creases or curled edges when it is inserted in cylinder. Install 13 air horn screws. Tighten three inner screws first for better sealing.

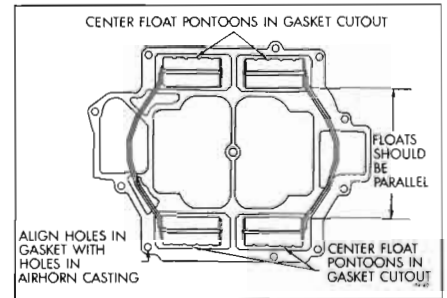


Figure 64-40—Float Alignment

25. Install choke shaft and lever. Install choke valve with "RP" up and install screws loosely. Align choke valve by working choke shaft endwise while maintaining an upward pressure on choke shaft lever. Tighten and stake choke valve screws. Check for uniform clearance and freedom from sticking, as improper fit or binding may cause hard starting.

26. Install choke rod, and choke lever and collar assembly. Install choke trip lever on end of choke shaft with "RP" out and tighten attaching screw. See Figure 64-37.

27. Install clip on upper end of pump plunger. Install accelerator pump rod in pump lever. Install clip on upper end of pump rod.

64-23 EXTERNAL ADJUSTMENT OF ROCHESTER 4-BARREL CARBURETOR

1. Fast Idle Cam Adjustment. With fast idle screw in normal fast idle position, place screw on second step of fast idle cam against shoulder of highest step. Check clearance between upper edge of choke valve and air horn dividing wall using specified gauge. See Figure 64-42.

2. If choke valve clearance is not correct, bend choke rod as required to obtain this clearance using Tool J-4552.

3. Choke Unloader Adjustment. Fully open throttle so that throttle arm contacts unloader tang on

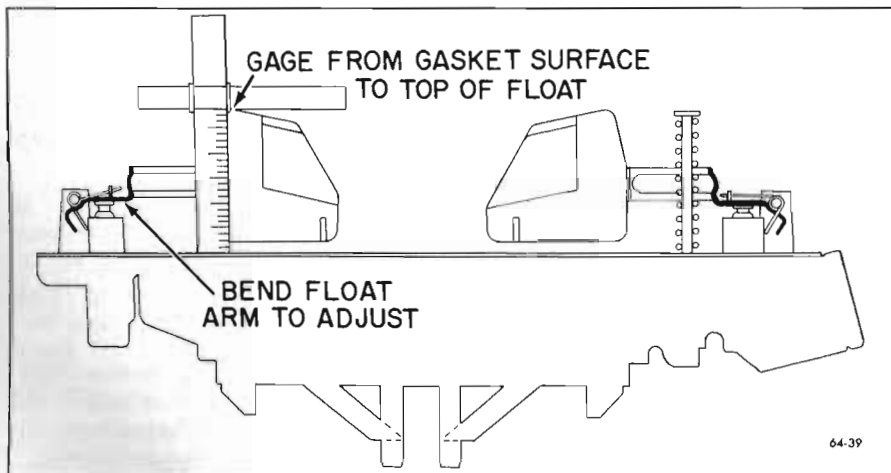


Figure 64-39—Float Adjustment

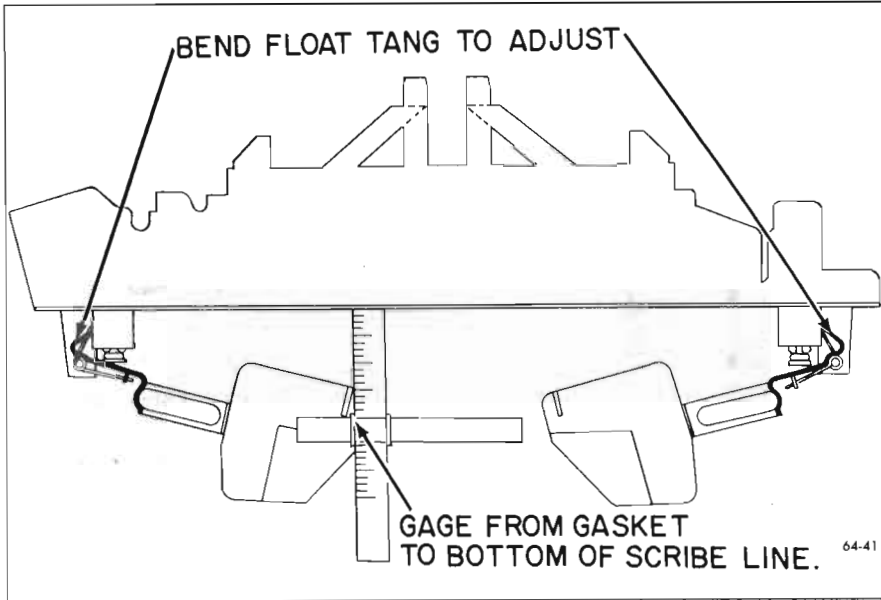


Figure 64-41—Float Drop Adjustment

fast idle cam, then check clearance between choke valve and air horn dividing wall. See Figure 64-43.

4. If choke valve clearance is not correct, bend unloader tang as required to obtain specified clearance using Tool J-5197.

5. Secondary Lock-Out Adjustment. Close choke valve so that secondary throttle lock-out tang is on lock-out step of fast idle cam. Check clearance between tang and step. See Figure 64-44.

6. If clearance between tang and lock-out step is not correct, bend

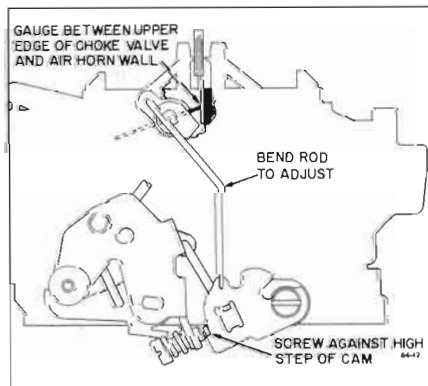


Figure 64-42—Fast Idle Cam Adjustment

tang as required to obtain this clearance using Tool J-6058A.

7. Secondary Contour Adjustment. Fully open choke valve so that fast idle cam falls to its lowest position. Then open throttle so that secondary lock-out tang follows contour portion of fast idle cam. With choke held wide open, check clearance between lock-out tang and contour portion of cam. See Figure 64-45.

8. If clearance between tang and contour is not correct, bend tang as required to obtain this clearance using Tool J-6058A.

9. If adjustment was necessary to correct lock-out tang to contour clearance, the tang to lock-out slot clearance should be rechecked (Steps 5 & 6) to be sure it was not disturbed.

10. Accelerator Pump Adjustment. Push fast idle cam to full down position and back out throttle stop screw until primary throttle valves can be fully closed. With throttle held closed and pump rod in center hole of lever, measure vertically from under side of pump plunger offset to air horn casting. See Figure 64-46.

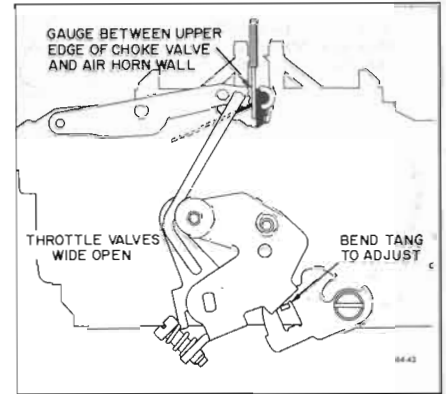


Figure 64-43—Choke Unloader Adjustment

11. Turn throttle stop screw in (from fully closed throttle position) one turn which will provide an initial slow idle speed adjustment. Install intermediate choke rod and spring clip.

12. Choke Piston Adjustment. With choke valve held tightly closed, and with choke piston pushed lightly toward its cylinder (to take up any linkage slack), check to see that choke piston is projecting from cylinder specified amount. See Figure 64-47. If adjustment is required, bend intermediate choke rod using Tool J-5197.

13. Choke mechanism must be absolutely free in any position; mechanism is free if choke will fall open from its own weight. Install choke baffle plate. Install choke cover and gasket. Rotate counterclockwise until index marks align and choke valve is just closed, then tighten screws

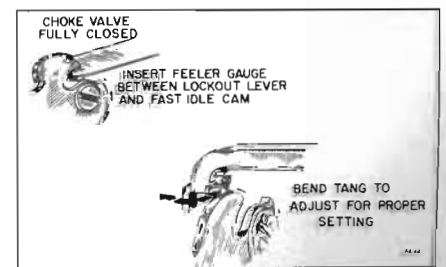


Figure 64-44—Secondary Lock-Out Adjustment

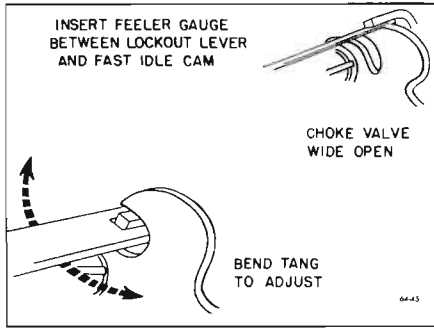


Figure 64-45—Secondary Contour Adjustment

and retainers.* See paragraph 64-2.

14. Fast Idle Speed Adjustment. Make fast idle speed adjustment

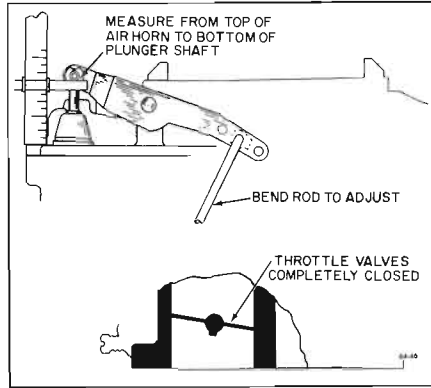


Figure 64-46—Accelerator Pump Adjustment

on car with engine at normal operating temperature and trans-

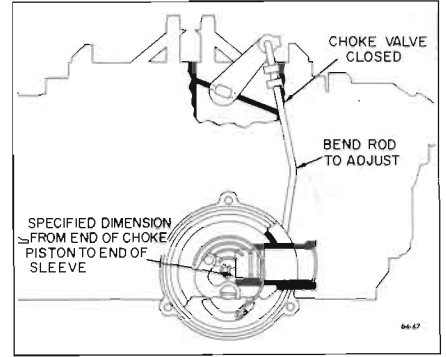


Figure 64-47—Choke Piston Adjustment

mission in drive. Set fast idle screw on lowest step of fast idle cam and adjust fast idle screw until engine speed is 600 RPM.