

SECTION A

43-44000 RADIATOR AND GRILLE

CONTENTS

Division	Paragraph	Subject	Page
I	130-1	SPECIFICATIONS AND ADJUSTMENTS: Radiator Mounting	130-2
II		DESCRIPTION AND OPERATION:	
III		SERVICE PROCEDURES: Removal and Installation Obvious Upon Inspection See Illustrations.	
IV		TROUBLE DIAGNOSIS:	

DIVISION I SPECIFICATIONS AND ADJUSTMENTS

130-1 RADIATOR MOUNTING

The radiator mounting is a four-point system using rubber faced "U" shaped brackets. The radiator upper mounting points are part of the upper radiator panel. The lower brackets mount on the lower portion of the radiator mounting panel.

INDEX OF ILLUSTRATIONS

Figure Number	Description	Page
130-1	43-44000 (Less 44600) Radiator and Mounting Panel	130-3
130-2	44600 Radiator and Mounting Panel	130-4
130-3	43-44000 Grille and Headlamp	130-5

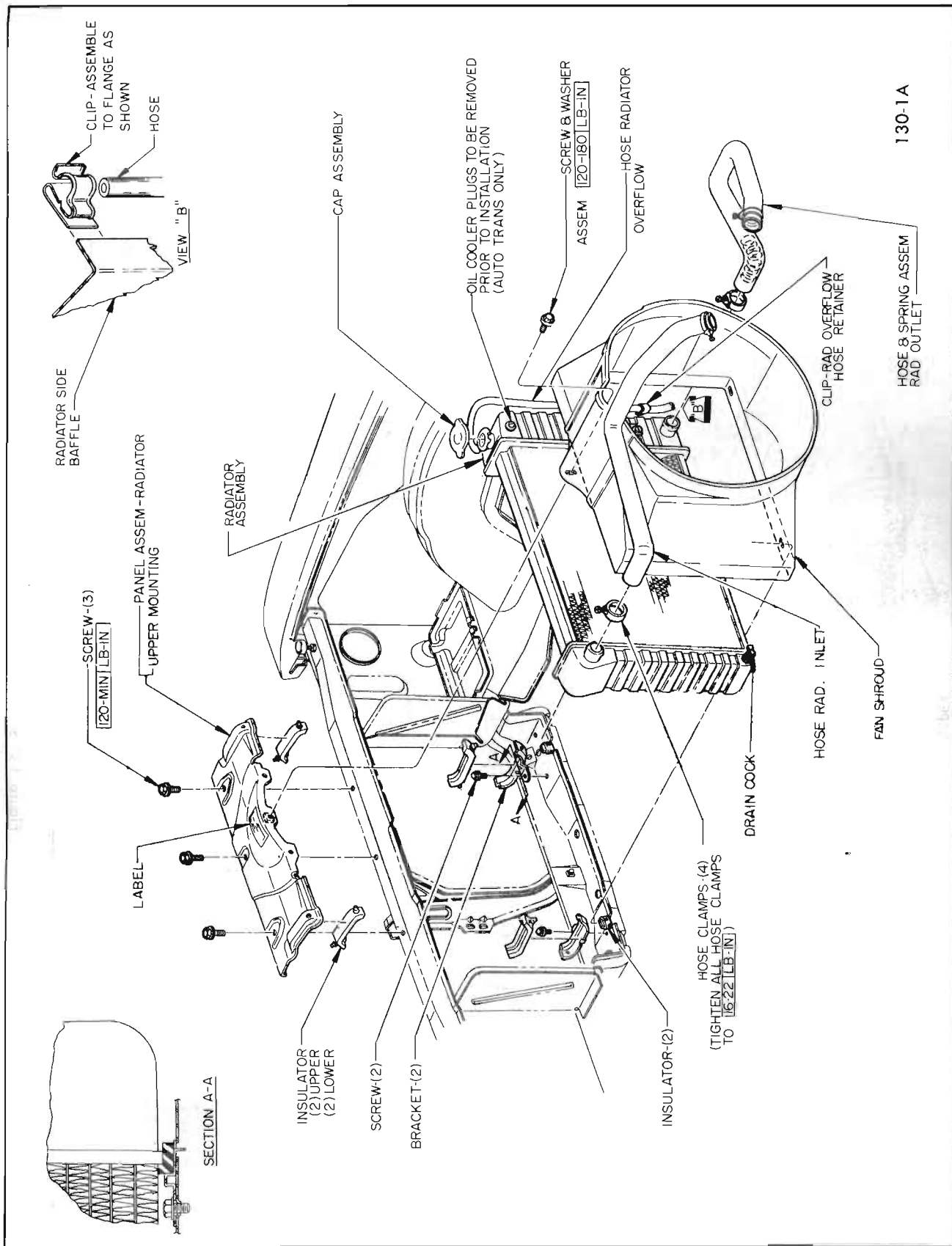
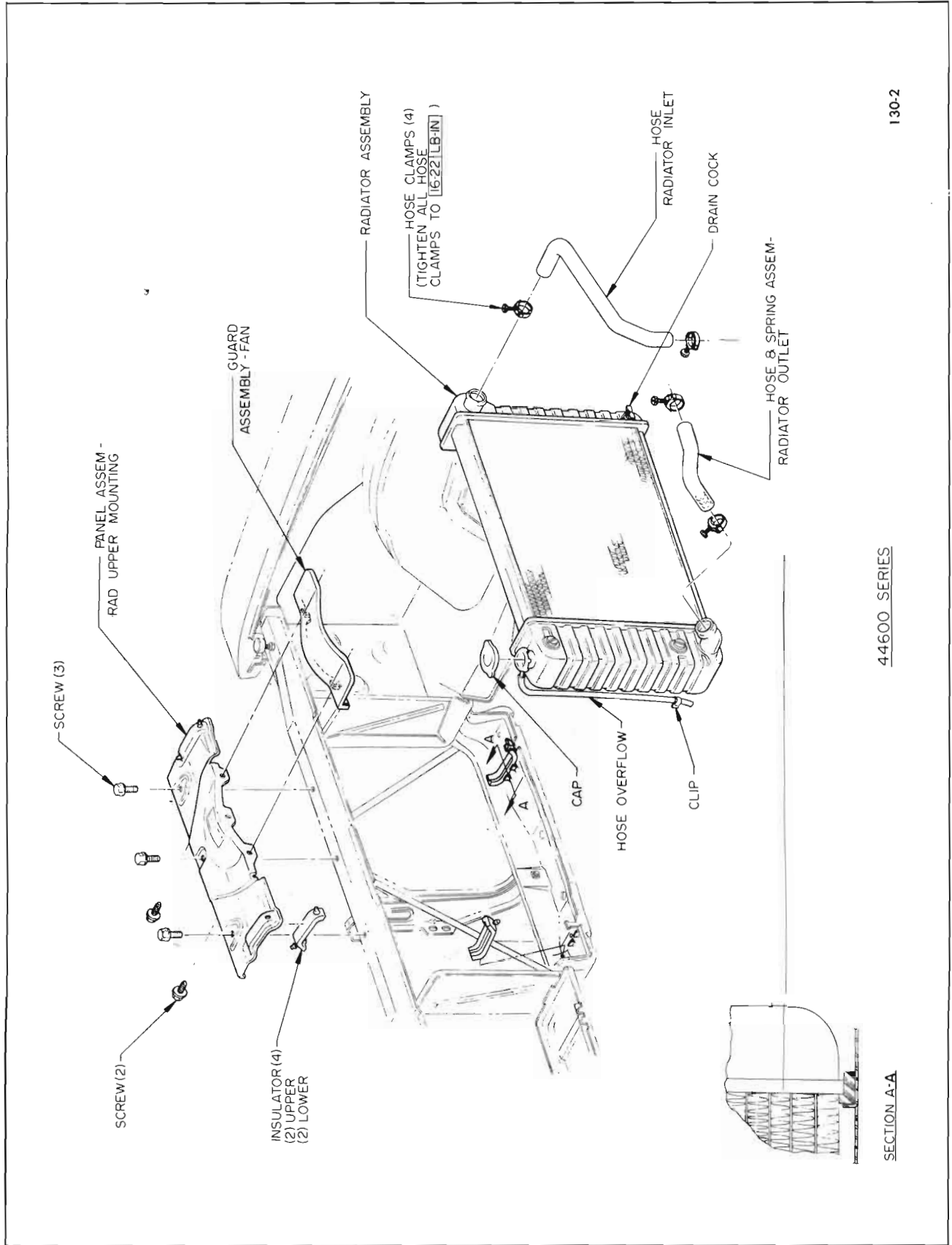


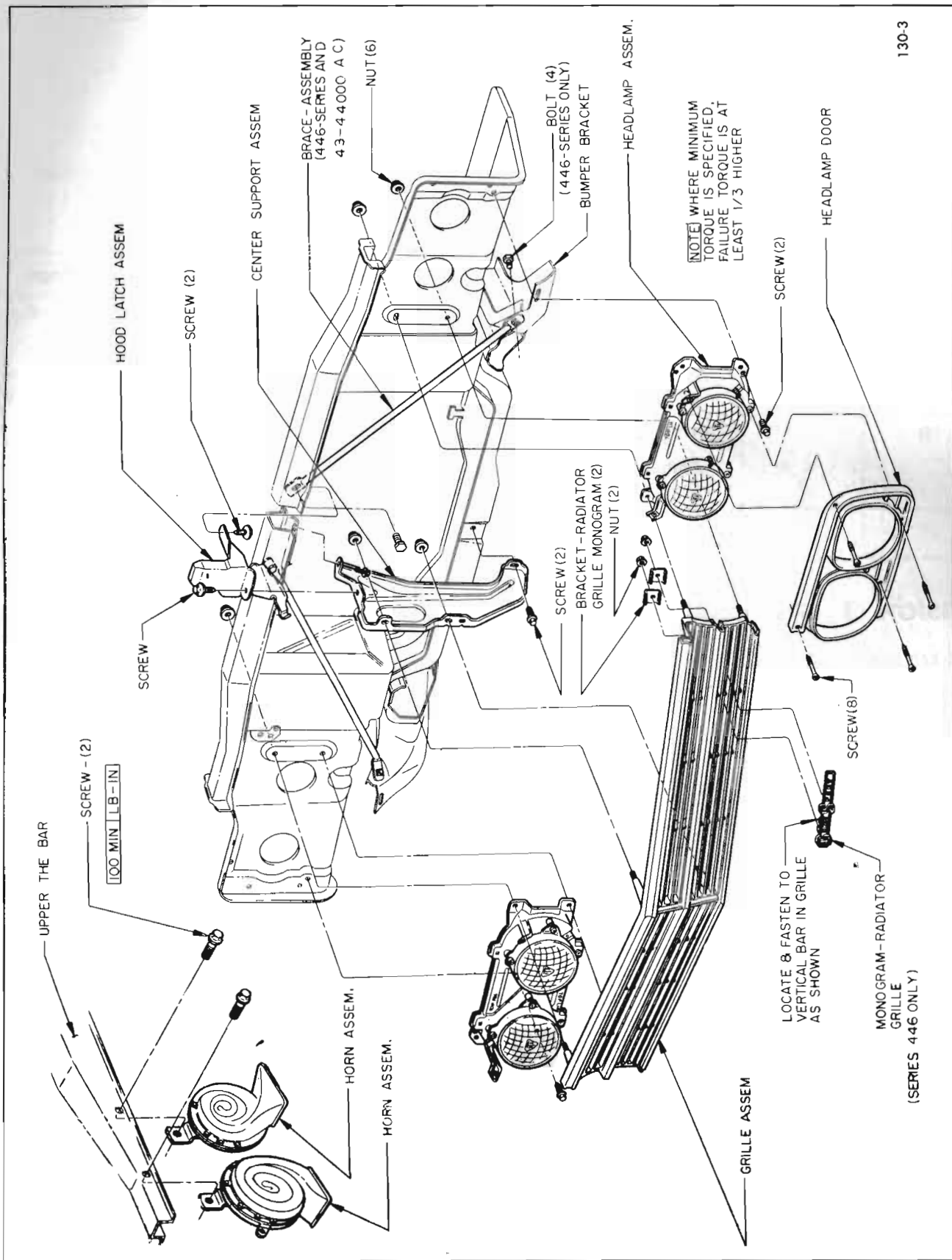
Figure 130-1 43-44000 (Less 44600) Radiator and Mounting Panel



130-2

44600 SERIES

Figure 130-2 44600 Radiator and Mounting Panel



130-3

Figure 130-3 43-44000 Grille and Headlamp