

SECTION A

GENERAL INFORMATION

ALL SERIES

CONTENTS

Division	Paragraph	Subject	Page
I		SPECIFICATIONS AND ADJUSTMENTS	
	00-1	1962 Model Chart	00-2
	00-2	Standard Rear Axle Ratios	00-3
	00-3	Vehicle and Component Identification Numbers	00-3
	00-4	Paint Color Codes	00-5
	00-5	Tire Sizes	00-5
	00-6	General Specifications	00-6
II		DESCRIPTION AND OPERATION	
		Not Applicable	
III		SERVICE PROCEDURES	
		Not Applicable	
IV		TROUBLE DIAGNOSIS	
		Not Applicable	

DIVISION I SPECIFICATIONS AND ADJUSTMENTS

00-1 1966 MODEL CHART

Series	Body Style	Designation	
		V-6	V-8
Special	2-Door Coupe Thin Pillar	43307	43407
	4-Door 2-Seat Wagon	43335	43435
	2-Door Convertible	43367	43467
	4-Door Sedan Thin Pillar	43369	43469
Special Deluxe	2-Door Coupe Thin Pillar	43507*	43607*
	2-Door Coupe Hardtop	43517	43617
	4-Door 2-Seat Wagon	43535	43635
Skylark	4-Door Sedan Thin Pillar	43569*	43669*
	2-Door Coupe Thin Pillar	44307	44407
	2-Door Coupe Hardtop	44317	44417*
	4-Door Hardtop	44339	44439*
Skylark Gran	2-Door Convertible	44367	44467*
	2-Door Coupe Thin Pillar		44607
Sport	2-Door Coupe Hardtop		44617
	2-Door Convertible		44667
Sport Wagon	4-Door 2-Seat Wagon		44255
	4-Door 3-Seat Wagon		44265
Sport Wagon Custom	4-Door 2-Seat Wagon		44455
	4-Door 3-Seat Wagon		44465
LeSabre	2-Door Coupe Hardtop		45237
	4-Door Hardtop		45239
	4-Door Sedan Thin Pillar		45269

*Canadian Built Models

00-1 1966 MODEL CHART (Cont'd.)

Series	Body Style	Designation	
		V-6	V-8
LeSabre	2-Door Coupe Hardtop		45437*
	4-Door Hardtop		45439*
Custom	2-Door Convertible		45467*
	4-Door Sedan Thin Pillar		45469*
Wildcat	2-Door Coupe Hardtop		46437
	4-Door Hardtop		46439
	2-Door Convertible		46467
	4-Door Sedan Thin Pillar		46469
Wildcat Custom	2-Door Coupe Hardtop		46637*
	4-Door Hardtop		46639*
	2-Door Convertible		46667*
	4-Door Sedan Thin Pillar		46669**
Electra 225	2-Door Coupe Hardtop		48237
	4-Door Hardtop		48239
	4-Door Sedan Semi-Thin Pillar		48269
Electra 225 Custom	2-Door Coupe Hardtop		48437
	4-Door Hardtop		48439
	2-Door Convertible		48467
	4-Door Sedan Semi-Thin Pillar		48469
Riviera	2-Door Coupe Hardtop		49487

* Canadian Built Models

** No U.S. Equivalent Model

00-2 STANDARD REAR AXLE RATIOS

Series	Models	Engine	Transmission	Ratio
Special & Special Deluxe	All Except Station Wagons	V-6	Manual	3.23
		V-6	Automatic/Less AC	2.93
		V-6	Automatic/With AC	3.23
		V-8	Manual	3.08
		V-8	Automatic	2.78
Special & Special Deluxe	Station Wagons	V-6	Manual	3.36
		V-6	Automatic	3.23
		V-8	Manual	3.23
		V-8	Automatic	2.93
Skylark	All	V-6	Manual	3.23
		V-6	Automatic/Less AC	2.93
		V-6	Automatic/With AC	3.23
		V-8	Manual	3.08
		V-8	Automatic	2.78
Skylark Gran Sport	All	V-8	Manual	3.36
		V-8	Automatic	2.93
Sportwagons	All	V-8	Manual	3.36
		V-8	Automatic	3.23
LeSabre	All	V-8	Manual	3.36
		V-8	Automatic/Less AC	2.93
		V-8	Automatic/With AC	3.08
Wildcat	All	V-8	Manual	3.23
Wildcat Gran Sport	All	V-8	Automatic	3.23 P.T.
Wildcat-Electra 225	All	V-8	Automatic	3.07
Riviera	All	V-8	Automatic	3.07
Riviera Gran Sport	All	V-8	Automatic	3.23

00-3 VEHICLE AND MAJOR COMPONENT IDENTIFICATION NUMBERS

a. Vehicle Identification Number

Domestic Production - The 1966 domestic built V.I.N. Plate, as shown in Fig. 00-1, is located on the left hand front hinge pillar above the lower hinge pillar.

The first digit (6) indicates the model year, the second digit (4) indicates the car division at which the model originates (Buick), the third digit (3 for Special or 6 for Wildcat) is indicative of the series, the fourth digit is indicative of the engine (odd number for V6 and even number of V8), the fifth and sixth digits shown the body style. The remaining six digits (commencing at 000001) are the non-duplicated individual car identification numbers.

U.S. Production - 1966 Buick models have a V.I.N. Plate attached to the left front body hinge pillar. An example of this plate is also shown in Fig. 00-1.

b. Body and Style Numbers Plate

Domestic Production - The body

and style numbers are stamped on a plate which is located on the right hand upper dash panel as viewed from the front.

The plate shows the style number, body number, paint number, trim number, and body production option numbers.

U.S. Production - Body identification is provided by the Fisher Body Number Plate. Information such as style and body numbers, trim numbers, and paint colour code is contained on this plate. Refer to the Body by Fisher 1966 Service Manual for detailed information about this plate.

c. Engine Numbers

Domestic Production - 1966 Canadian built Buick engines have their engine numbers stamped in the same location as U.S. built engines. The locations are shown in Fig. 00-2.

The first two digits indicate the series and options:

24	225 cu. in. V6 with Syn. Trans.
84	225 cu. in. V6 with Auto. Trans.
26	300 cu. in. V8 with Syn. Trans.
86	300 cu. in. V8 with Auto. Trans.
32	340 cu. in. V8 with Syn. Trans.
92	340 cu. in. V8 with Auto. Trans.
34	401 cu. in. V8 all

The third digit (6) indicates the model year, the remaining digits are the non-duplicated individual engine serial number commencing at:

90001	225 cu. in. V6
600001	300 cu. in. V8
660001	340 cu. in. V8
670001	401 cu. in. V8

NOTE: Canadian built engines are not stamped with production code numbers. The 425 cu. in. V8 used in Canadian production will have only a production code number.

U.S. Production - 1966 Buick engines are stamped with two different identification codes. One is an engine production code number. This identifies the engine and its approximate production date.

The other code is the engine serial number and is the same number found on the vehicle identification plate mentioned previously in Paragraph a. This is the legal engine number and is used on registrations, titles, and other legal documents, while the production code number is used to identify the engine on product reports and other factory correspondence.

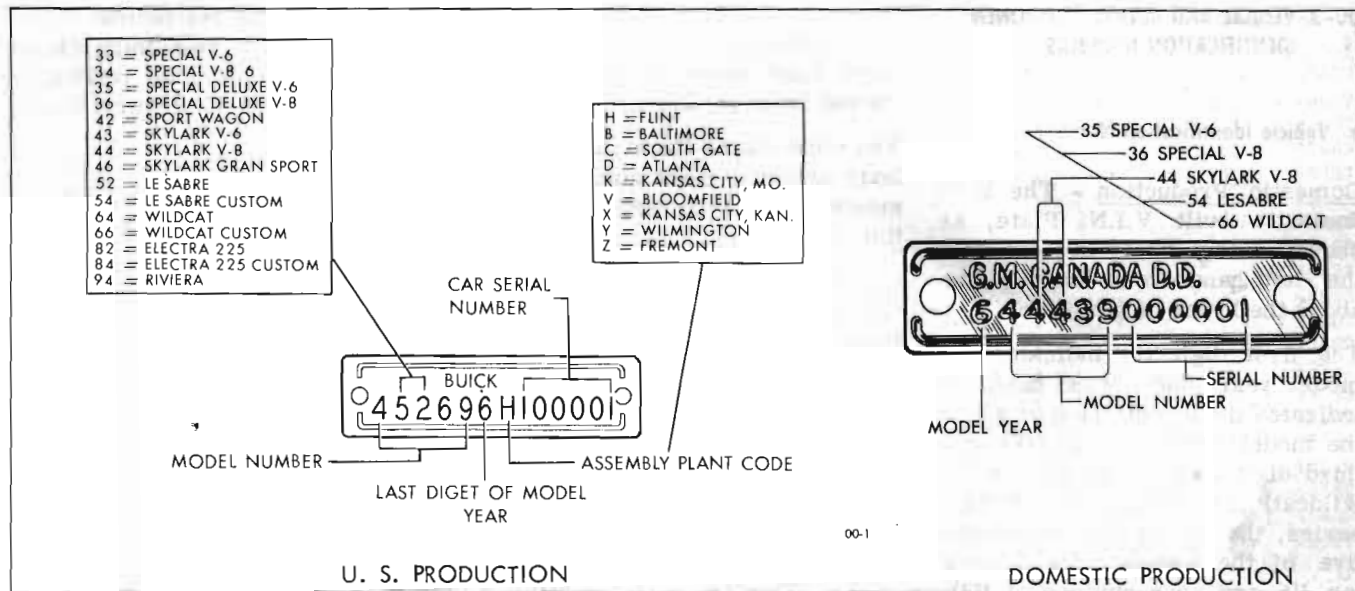


Figure 00-1—Vehicle Identification Plate

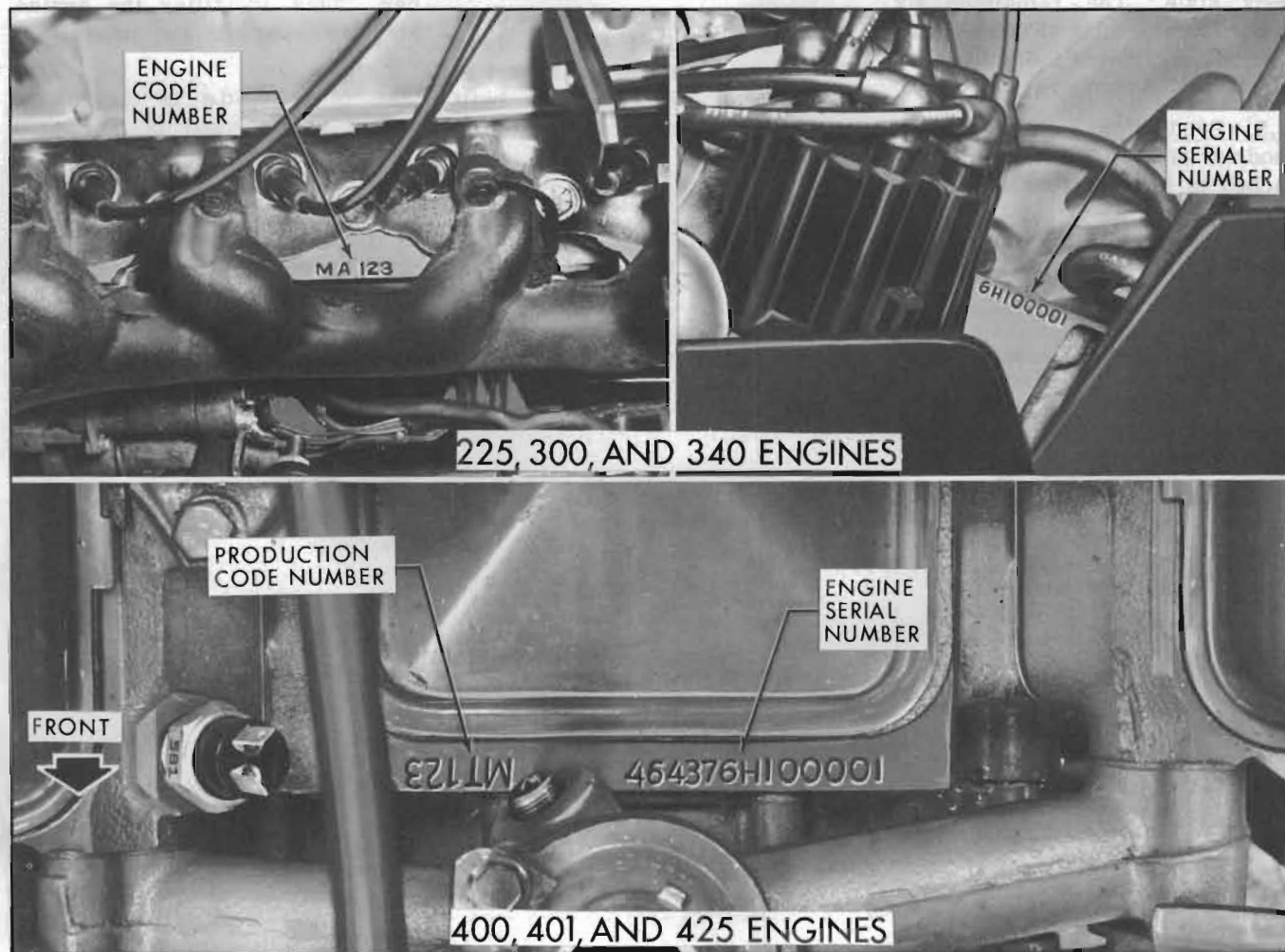


Figure 00-2—Engine Serial Number and Production Code Location

d. Automatic Transmission Identification Numbers

Refer to Figure 00-3.

e. Manual Transmission Identification Numbers

Refer to Figure 00-4.

00-4 PAINT COLOR CODE CHART (U.S. PRODUCTION)

Code Letter	Color Name
A	Regal Black
C	Artic White
D	Astro Blue
E	Midnight Blue
F	Blue Mist
H	Seafoam Green
J	Verde Green
K	Turquoise Mist
L	Shadow Turquoise
N	Burgundy Mist
R	Flame Red
T	Saddle Mist
V	Shell Beige
W	Silver Mist
Y	Cream

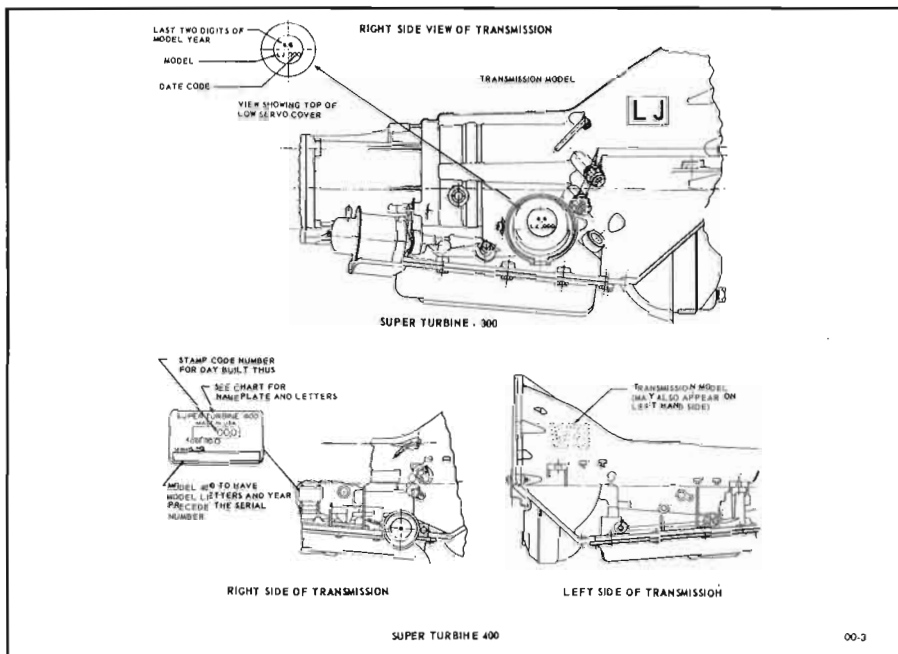


Figure 00-3—Automatic Transmission Identification Numbers

00-5 TIRE SIZES

Series	Models	Standard Tire	Optional Tire
Special V-6 Special Deluxe V-6 Skylark V-6	Coupes & Pillar Sedans without Air Conditioning	6.95 x 14	7.35 x 14
Special V-6 Special Deluxe V-6 Skylark V-6	Coupes & Pillar Sedans with AC & All Convertibles & 4-Door Hardtops	7.35 x 14	7.75 x 14

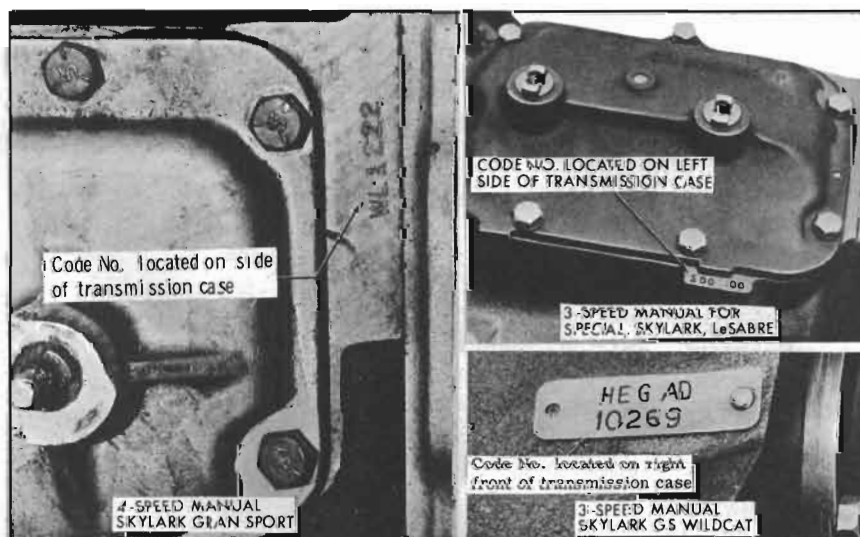


Figure 00-4—Manual Transmission Identification Numbers
U.S. Production Only

00-5 TIRE SIZES (Cont'd.)

Series	Models	Standard Tire	Optional Tire
Special V-6 Special Deluxe V-6	Station Wagons	7.75 x 14	8.25 x 14
Special V-8 Special Deluxe V-8 Skylark V-8	Sedans, Coupes, and Convertibles	7.35 x 14	7.75 x 14
Special V-8 Special Deluxe V-8	Station Wagons	7.75 x 14	8.25 x 14
Sportwagon	All	8.25 x 14	8.25 x 14 (4 Ply, 8 Ply Rating)
Skylark Gran Sport	All	7.75 x 14	8.25 x 14
LeSabre	All	8.15 x 15	8.45 x 15
Wildcat	All	8.45 x 15	8.85 x 15
Electra 225	All	8.85 x 15	N.A.
Riviera	All	8.45 x 15	N.A.

00-6 GENERAL SPECIFICATIONS

a. Special, Special Deluxe, and Skylark

Sedan, Coupe, and Convertible

Wheelbase - 115"	Overall Height - 54"
Overall Length - 204"	Front Tread - 58"
Overall Width - 75"	Rear Tread - 58"
	Rear Tread - 59" (Gran Sport)

Station Wagon

Wheelbase - 115"	Overall Height - 55.3"
Overall Length - 204"	Front Tread - 58"
Overall Width - 75"	Rear Tread - 58"

b. Sportwagon

Wheelbase - 120"	Overall Height - 57.6"
Overall Length - 209"	Front Tread - 58"
Overall Width - 75"	Rear Tread - 59"

c. LeSabre

Wheelbase - 123"	Overall Height - 55.2"
Overall Length - 217"	Front Tread - 63"
Overall Width - 80"	Rear Tread - 63"

d. Wildcat

Wheelbase - 126"	Overall Height - 55.2"
Overall Length - 220.1"	Front Tread - 63.4"
Overall Width - 80"	Rear Tread - 63.0"

e. Electra 225

Wheelbase - 126"	Overall Height - 55.8"
Overall Length - 223.5"	Front Tread - 63.4"
Overall Width - 80"	Rear Tread - 63.0"

f. Riviera

Wheelbase - 119"	Overall Height - 53.4"
Overall Length - 211.2"	Front Tread - 63.5"
Overall Width - 78.8"	Rear Tread - 63.0"