

## SECTION 3-D FUEL PUMP

### CONTENTS OF SECTION 3-D

Paragraph	Subject	Page	Paragraph	Subject	Page
3-11	Description and Operation of Type HE Fuel Pump . . . . .	3-28	3-12	Fuel Pump Inspection and Test . . .	3-29
			3-13	HE Fuel Pump Repairs . . . . .	3-29

### 3-11 DESCRIPTION AND OPERATION OF TYPE HE FUEL PUMP

NOTE: For description and operation information on the 300 engine fuel pump, see paragraph 3-11 of the Buick Special Chassis Service Manual.

#### a. Description of Pump

An AC Type HE fuel pump is used on all engines. The pump assembly is mounted on the right side of the timing chain cover in an inverted position, and the pump rocker arm is actuated by an eccentric mounted on front side of the camshaft sprocket.

The fuel pump has a built-in air dome with a diaphragm to dampen out pulsations in the fuel stream. It is a diaphragm type pump and is actuated by the rocker arm through a link and a pull rod. See Figure 3-22.

#### b. Operation of Fuel Pump

The fuel pump draws gasoline from the tank and supplies it to the carburetor in sufficient quantity to meet engine requirements under all operating conditions. The principle parts of the fuel section are shown in Figure 3-22.

The rocker arm spring holds the rocker arm in constant contact with the eccentric on the engine

camshaft sprocket so that the rocker arm swings up and down as the camshaft rotates. As the arm swings downward, it bears against a shoulder on the link which is pivoted on the rocker arm pin. The link swings upwards, thereby pulling the fuel diaphragm upward by means of the connecting pull rod.

Upward movement of the fuel diaphragm compresses the diaphragm spring and also creates a vacuum in the fuel chamber under the diaphragm. The vacuum causes the outlet valve to close and causes fuel from the gasoline tank to enter the fuel chamber through the inlet valve.

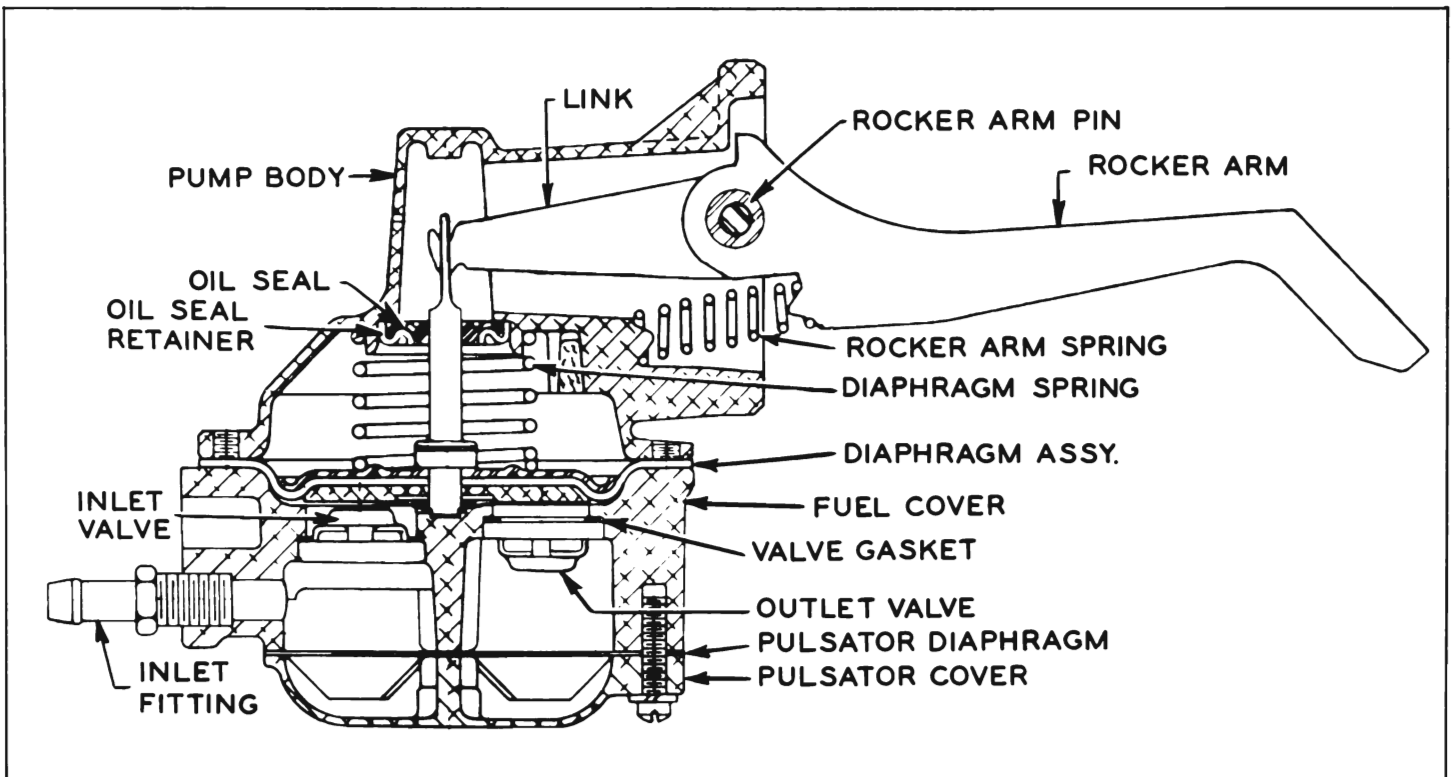


Figure 3-22—Type HE Fuel Pump

As the rotating eccentric permits the rocker arm to swing upward, the arm releases the fuel link; it cannot move the link downward. The compressed diaphragm spring then exerts pressure on the diaphragm and the fuel in the chamber below diaphragm. This pressure closes the inlet valve and forces fuel out through the outlet valve to the carburetor.

Since the fuel diaphragm is moved downward only by the diaphragm spring, the pump delivers fuel to the carburetor only when the pressure in the outlet line is less than the pressure maintained by the diaphragm spring. This condition arises when the carburetor float needle valve is not seated and the fuel passage from the pump into the carburetor float chamber is open. When the needle valve is closed and held in place by the pressure of the fuel on the float, the pump builds up pressure in fuel chamber until it overcomes the pressure of the diaphragm spring. This pressure results in almost complete stoppage of diaphragm movement until more fuel is needed.

The air dome with diaphragm in the bottom of fuel pump provides a pocket in which fuel under pressure can compress a certain volume of air. When the pressure is relieved (pump on suction stroke) the pocket of compressed air pushes the fuel on to its destination. The air dome minimizes flow variations experienced with two-cycle pump stroke and increases the pump output.

### 3-12 FUEL PUMP INSPECTION AND TEST

NOTE: For test procedures on the 300 engine fuel pump, see paragraph 3-12 of the Buick Special Chassis Service Manual.

If the fuel system is suspected of delivering an improper amount

of fuel to the carburetor, it should be inspected and tested on the engine, as follows:

#### a. Inspection of Fuel System

1. Make certain that there is gasoline in the tank.

2. Clean the gasoline filter (par. 3-7).

3. With engine running, inspect for leaks at all gasoline feed hose connections at gasoline tank, fuel pump, and carburetor. Tighten any loose connections. Inspect all hoses for flattening or kinks which would restrict the flow of fuel. Air leaks or restrictions on suction side of fuel pump will seriously affect pump output.

4. Inspect for leaks at fuel pump diaphragm flange. To correct, tighten cover screws alternately and securely.

5. Disconnect feed pipe at carburetor. Ground distributor terminal of coil with jumper wire so that engine can be cranked without firing. Place suitable container at end of pipe and crank engine a few revolutions. If no gasoline, or only a little flows from pipe, the feed line is clogged or fuel pump is inoperative. Before condemning the fuel pump, disconnect feed lines at pump and blow through them with air hose to make sure that they are clear.

6. If gasoline flows in good volume from pipe at carburetor it may be assumed that the fuel pump and feed line are okay; however, it is advisable to make the following "static pressure" test to make certain that fuel pump is operating within specified pressure limits.

#### b. Fuel Pump Pressure Test

1. Disconnect gasoline pipe at carburetor and connect a suitable pressure gauge to pipe at carburetor height.

2. Start engine and check pressure with engine running at slow idle speed. If pressure is not between 4-3/4 and 6-1/2 pounds, pump should be removed for repairs (par. 3-13).

NOTE: If pressure gauge is at pump height instead of at carburetor height, the pressure should be 1/2 pound higher.

### 3-13 FUEL PUMP REPAIRS

There are two service kits available: 1. The diaphragm kit consisting of diaphragm, valves, and oil seal. This kit is used for overhauling low mileage pumps. 2. The repair kit consisting of all moving and wearing parts except the rocker arm. This kit is used for overhauling high mileage pumps. However, if a casting is damaged or the rocker arm is badly worn, it is advisable to replace the pump rather than attempt repairing it.

After removal of pump from engine and before disassembly is started, plug all openings and thoroughly wash exterior of pump with cleaning solvent to remove all dirt and grease.

#### a. Disassembly of Fuel Pump

NOTE: For instructions on the disassembly and assembly of the fuel pump on the 300 engine, see paragraph 3-13 of the Buick Special Chassis Service Manual.

1. Mark edges of fuel cover and pump body with file so that cover may be reinstalled in its original position on body. See Figure 3-23.

2. Remove all fuel cover screws and separate cover from pump body. If cover sticks to body, rap with soft mallet - do not pry between parts with a screwdriver.

3. Remove pulsator cover and diaphragm from fuel cover. Scrape out burrs produced by staking

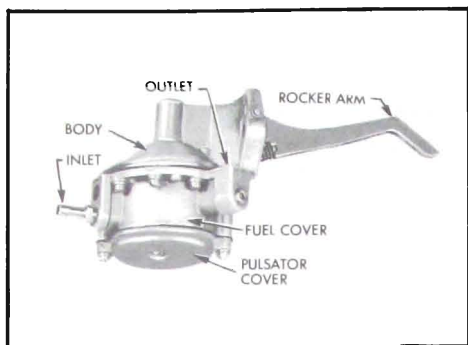


Figure 3-23—Location of Pump Parts

valves and drive both valves and gaskets from cover.

4. Block pull rod link in position farthest toward diaphragm by jamming a thin tool between link and pump body. Depress diaphragm very lightly until blocked link just touches end of slot in pull rod. Then tilt diaphragm away from body mounting flange, apply a heavy side pressure on pull rod away from mounting flange, and while still applying this pressure, tilt diaphragm toward mounting flange to unhook pull rod from link. Remove diaphragm and spring from pump body.

5. Scrape out burrs produced by staking and pry out oil seal and retainer using end of a round rod just smaller in diameter than retainer hole (3/8" rod).

### b. Removal of Rocker Arm and Link

To install a diaphragm kit, it is not necessary to remove the rocker arm pin. However, when overhauling a high mileage pump, it is advisable to use the repair kit which contains a rocker arm pin and a link. Remove as follows:

1. File or grind riveted end of rocker arm pin flush with steel washer, or cut off end with a 3/8" drill. Then drive pin out with a drift punch and hammer.

2. Remove rocker arm, rocker arm spring, and link from pump body.

### c. Inspection of Pump Parts

1. Clean and rinse all parts to be reused in solvent. Blow out all passages with air hose.

2. Inspect pump body and fuel cover for cracks, breakage, or distorted flanges. Examine screw holes for stripped or crossed threads.

3. Inspect rocker arm for wear at pad and at point of contact with link. Check for excessive rocker arm side-play due to wear on rocker arm pin.

4. If a damaged casting or a badly worn rocker arm is found, it is advisable to discard old parts and install a new fuel pump.

### d. Assembly of Fuel Pump

When overhauling pump, always use all new parts in kit as amount of wear of these parts cannot be determined visually.

1. If rocker arm and link were removed (subpar. b above), place new rocker arm spring and link in position in pump body with rocker arm and use a slightly undersize rod through pin hole to line them up. See Figure 3-24. Drive new rocker arm pin through body, forcing lineup rod ahead of it. Install new steel washer over small end of rocker arm pin, support head of pin on a suitable steel block, andpeen small end of

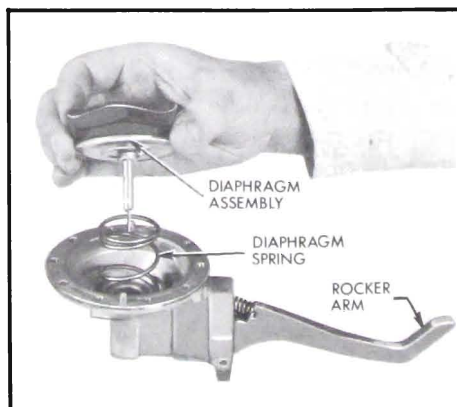


Figure 3-24—Diaphragm Assembly

pin to retain washer and pin in place.

2. Install new oil seal in retainer and drive retainer into body with flat end of a rod 7/8" in diameter. Stake body in four places around retainer.

3. Block link in position farthest toward diaphragm by jamming a thin tool between link and pump body. Place diaphragm spring in body, place cup shaped spring retainer on end of spring, then push diaphragm pull rod through these parts with flat of rod at 90 degrees to link in body. Hook pull rod over end of link.

4. Place a new gasket in each valve seat in fuel cover. Place valve in seat nearest "IN" connector with spring cage facing up. Place other valve in outlet valve seat with spring cage down.

5. Seat valves firmly against gaskets and stake cover in four places around edge of each valve.

6. Install new pulsator diaphragm and cover on fuel cover and tighten screws securely.

7. Place fuel cover in position so that file marks on cover and pump body are in line and install all cover screws and lock washers until screws just engage lock washers. Be sure that screws pass through holes in diaphragm without chewing fabric.

8. Tighten screws alternately and evenly until all screws are tight.

### e. Testing Repaired Fuel Pump

Bench tests of the fuel pump require equipment which is not available in most service organizations; therefore, tests must be made after installation of the pump on an engine. Test the fuel pump as described in paragraph 3-12.