

**SECTION 11-F
FOUR NOTE HORN, VACUUM TRUNK RELEASE,
REAR WINDOW DEFROSTER
AND VACUUM DOOR LOCK INSTALLATIONS**

CONTENTS OF SECTION 11-F

Paragraph	Subject	Page
11-25	Servicing Accessories	11-138

11-25 SERVICING ACCESSORIES

The following accessories pictured herein are provided as optional equipment on the 1965 Buick 4500, 46000, 48000 and 49000 Series cars. The servicing, such as removal and installation of the accessory components will be obvious when viewing the installation illustrations contained on the following pages.

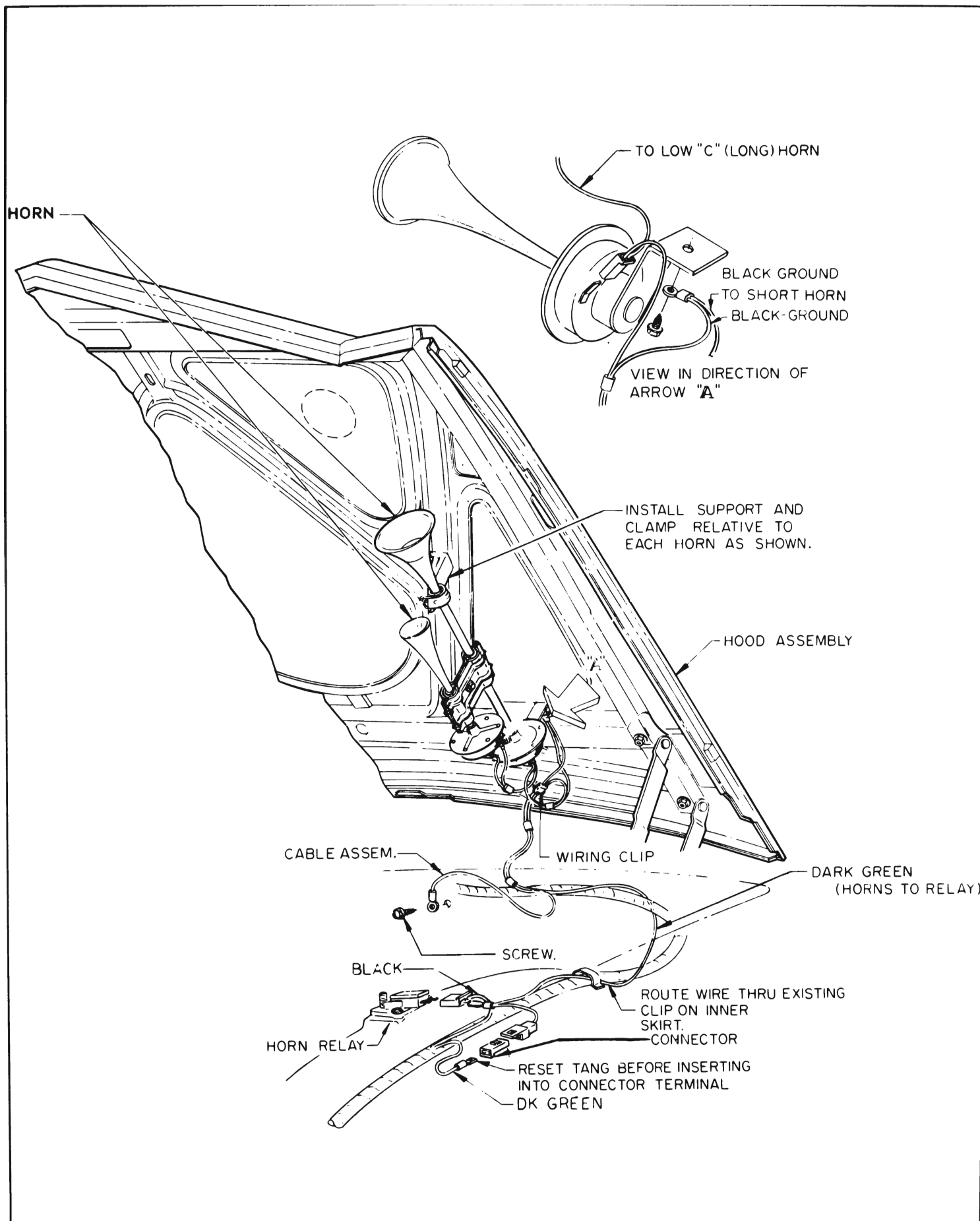


Figure 11-184—Four Note Horn Installation - 45000, 46000 and 48000 Series
U.S. Production Only

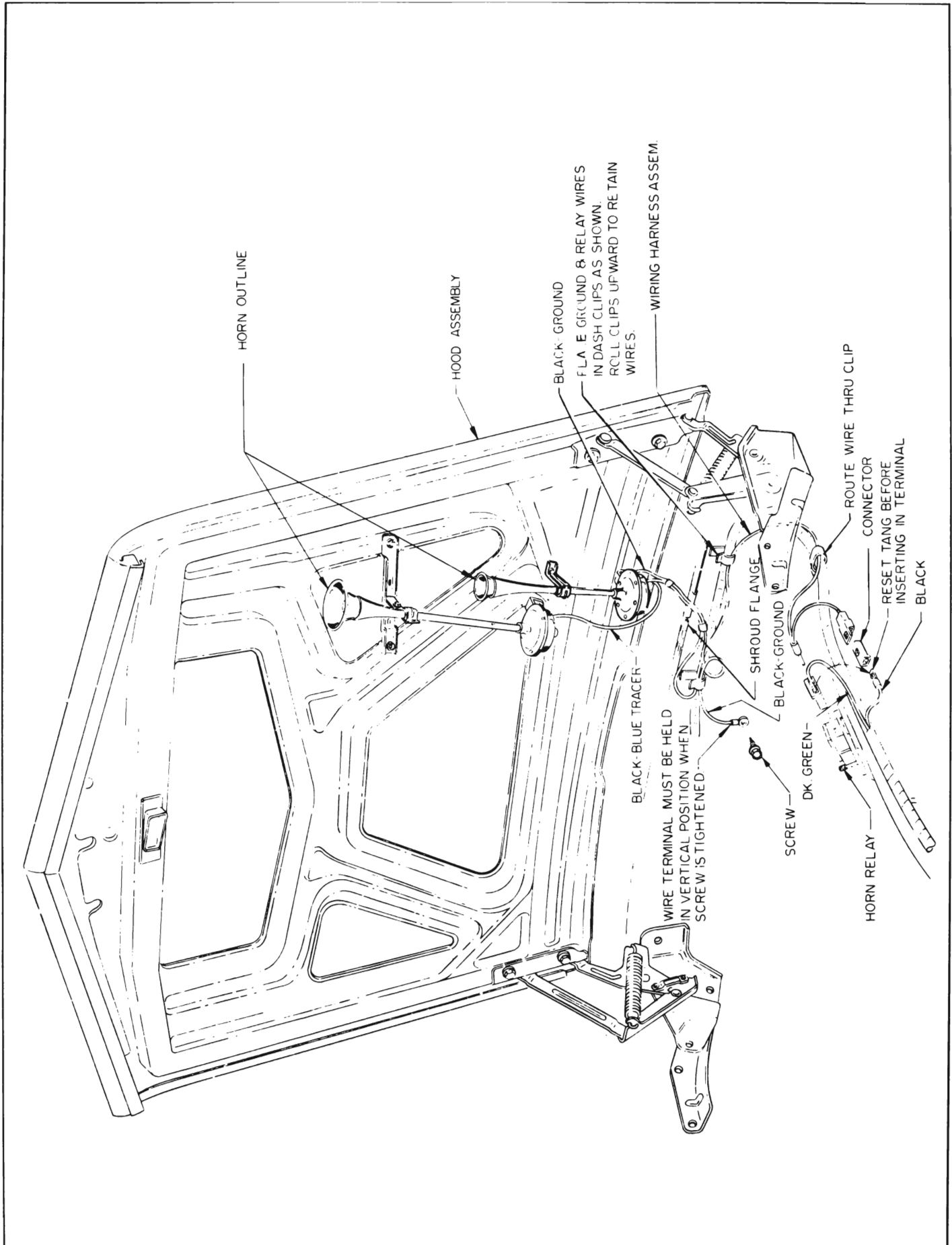


Figure 11-185—Four Note Horn Installation - 49000 Series

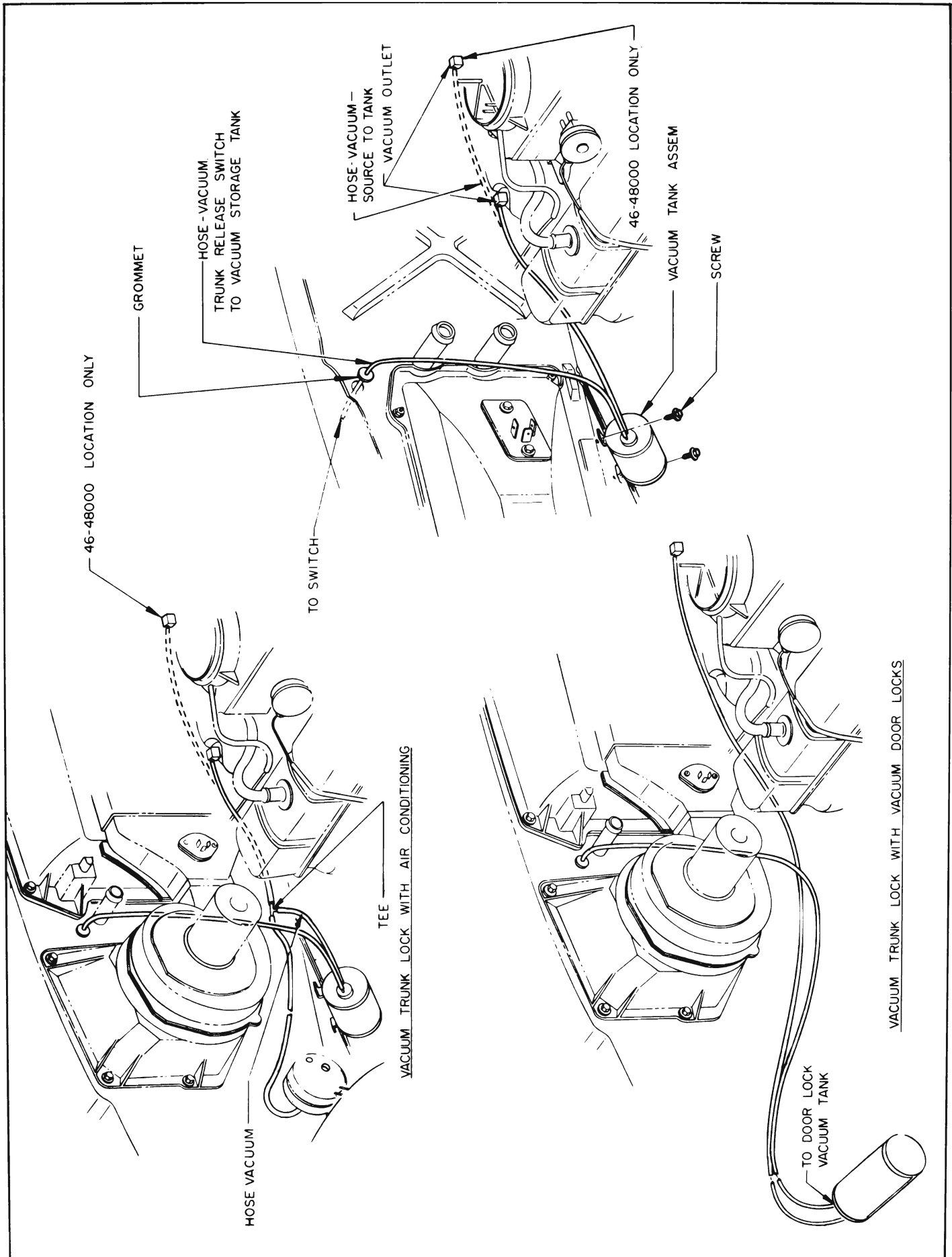


Figure 11-186—Vacuum Trunk Release Installation - 45000, 46000 and 48000 Series

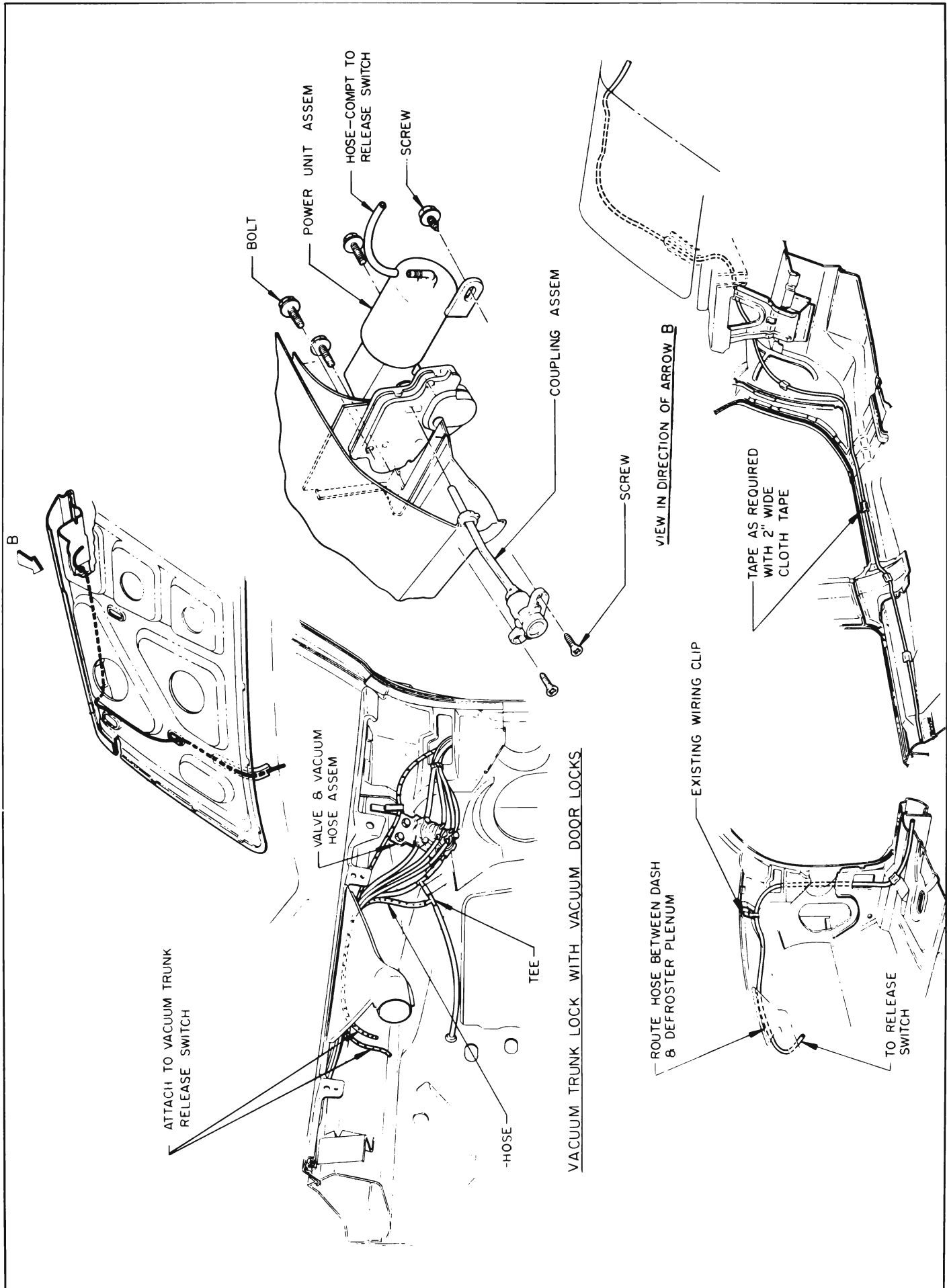


Figure 11-187—Vacuum Trunk Release Installation - 45000, 46000 and 48000 Series

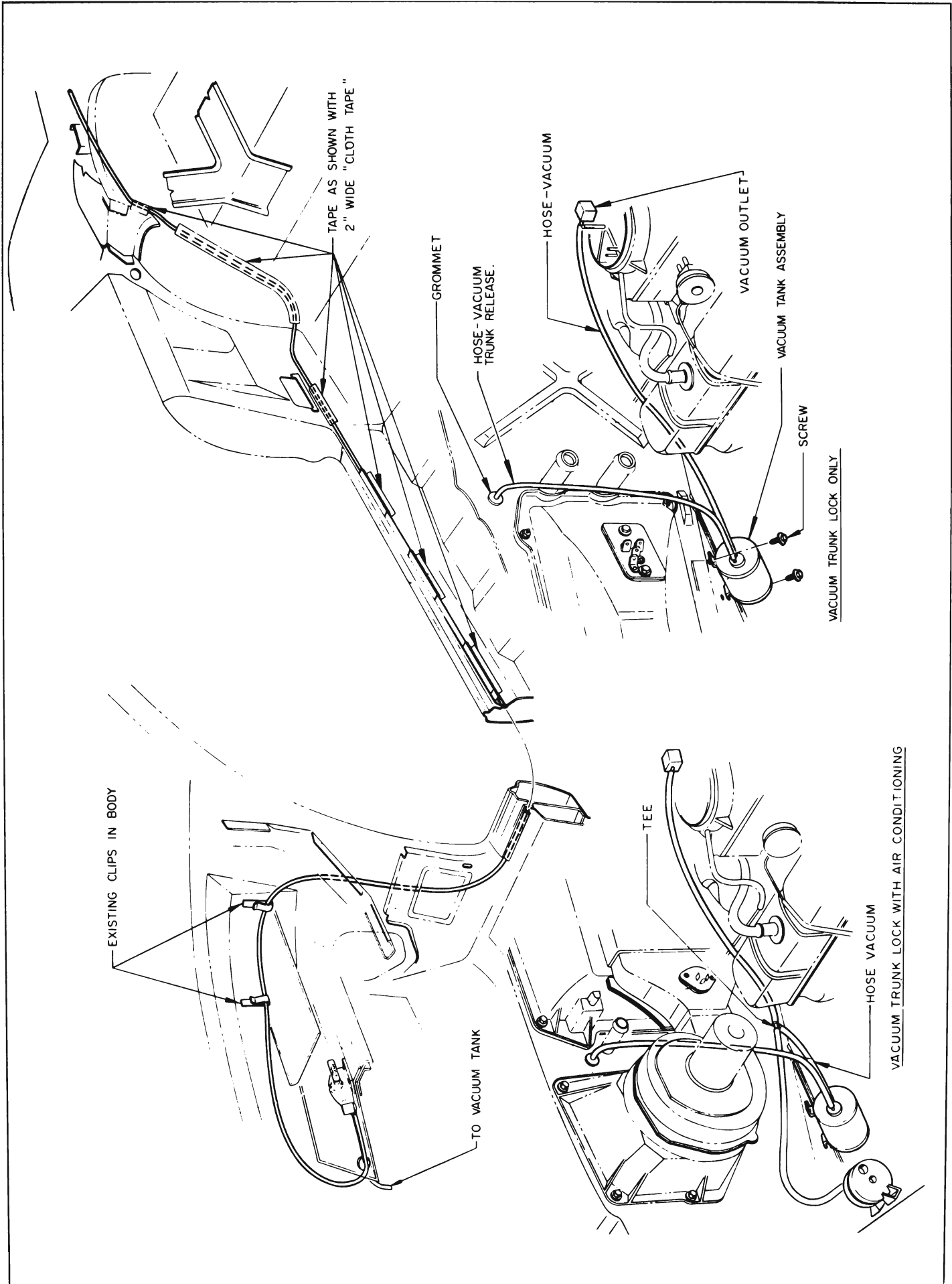


Figure 11-188—Vacuum Trunk Release Installation - 49000 Series

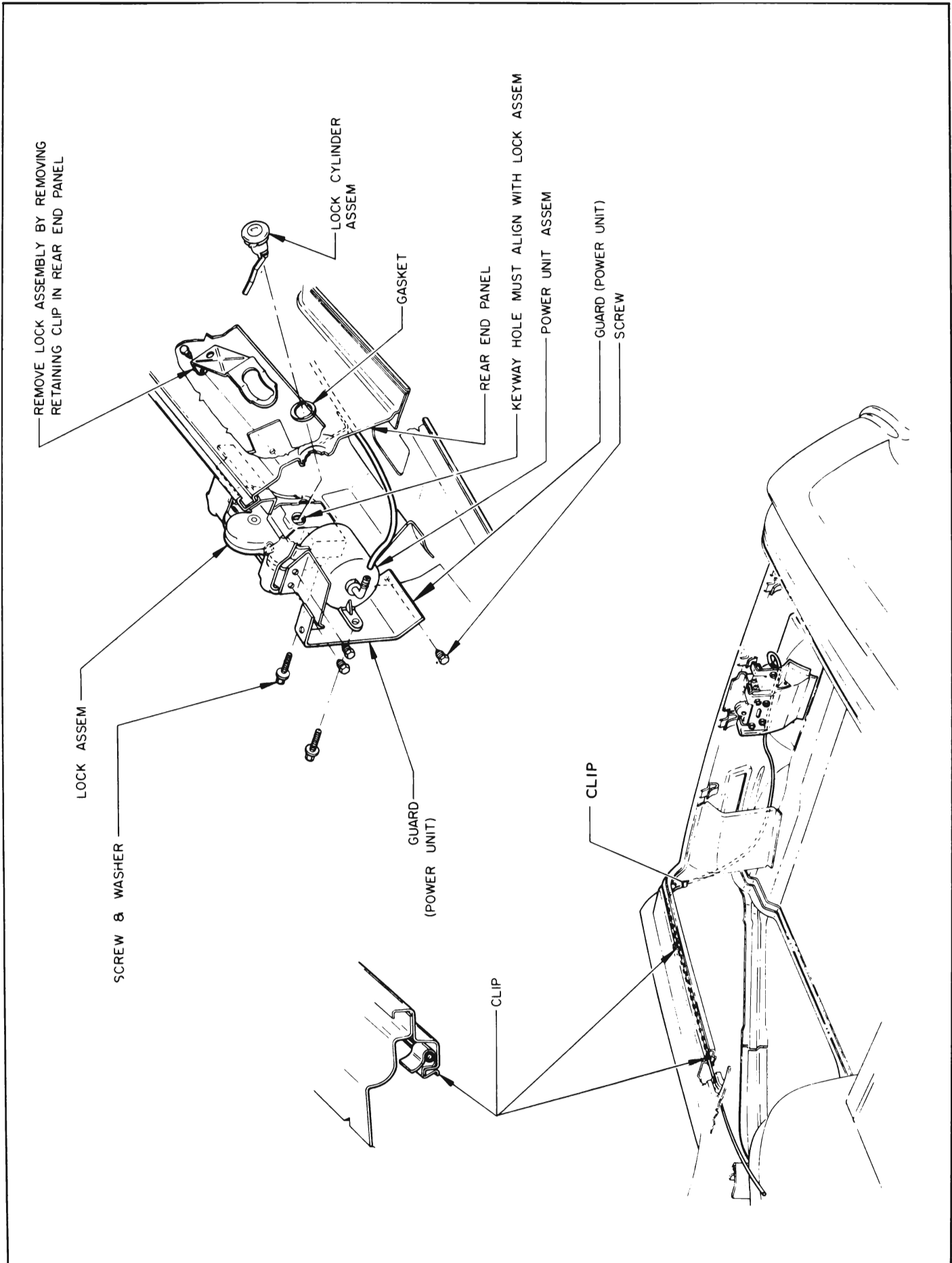


Figure 11-189—Vacuum Trunk Release Installation - 49000 Series

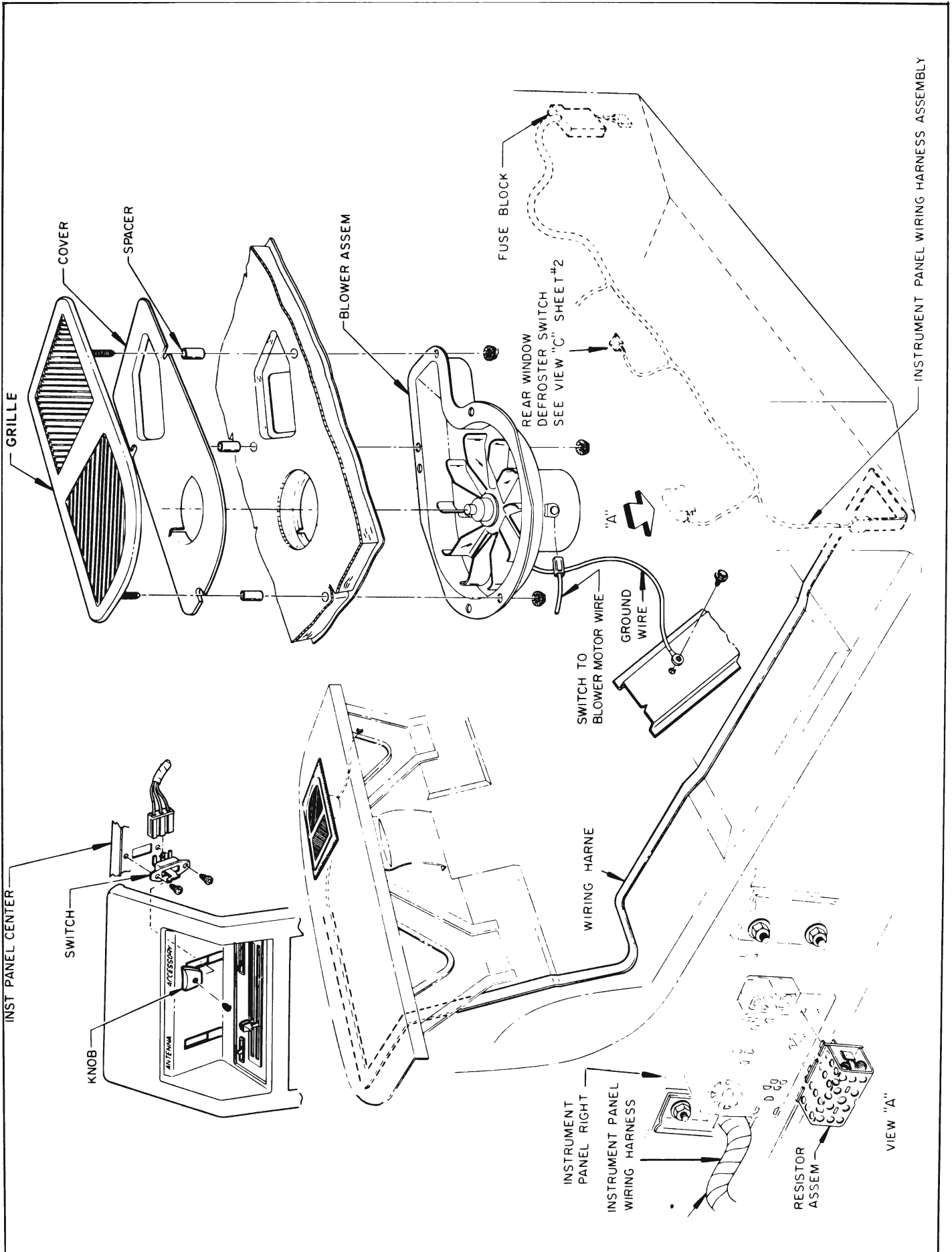


Figure 11-190—Rear Window Defroster Installation - 45000, 46000 and 48000 Series

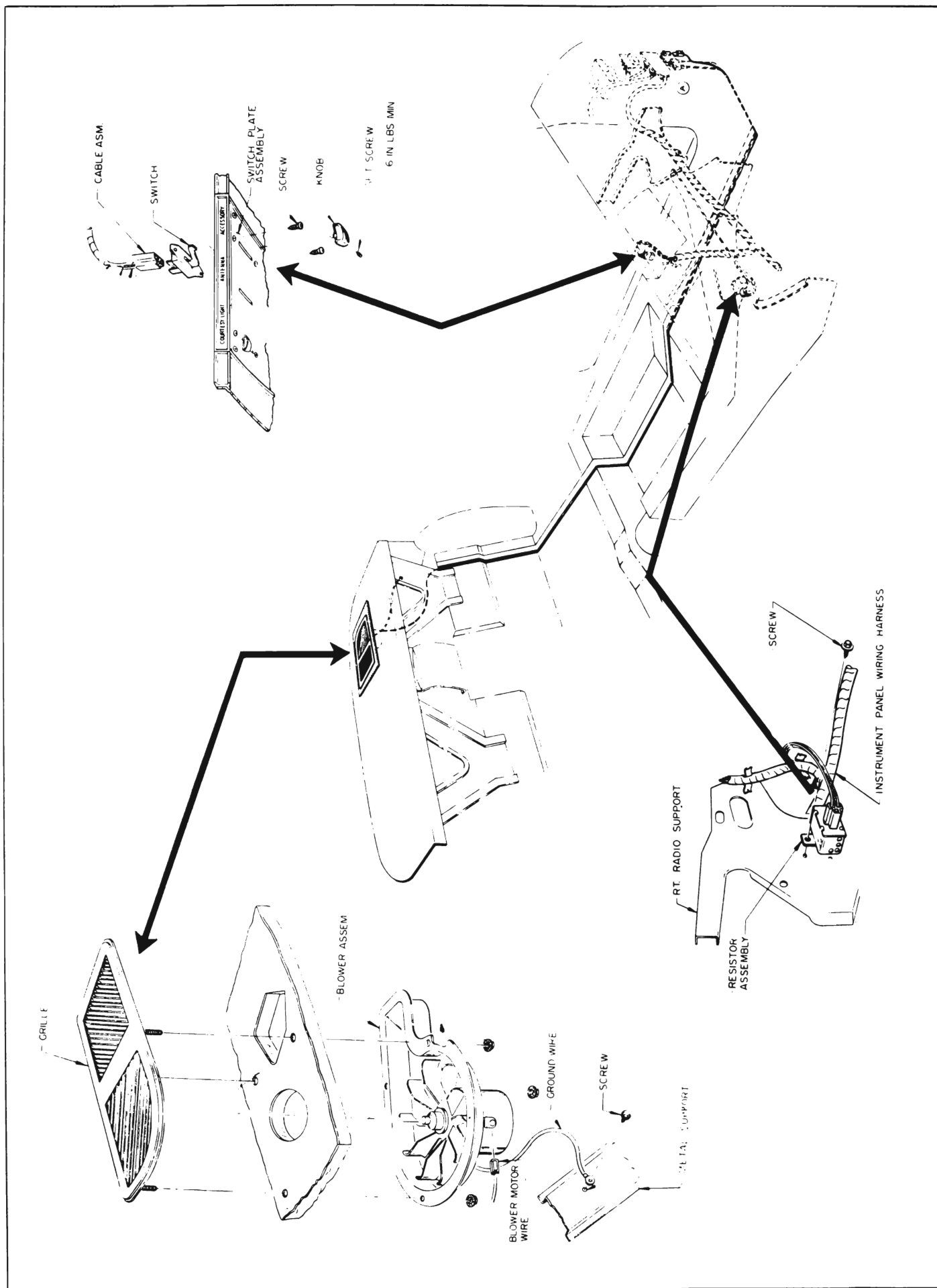
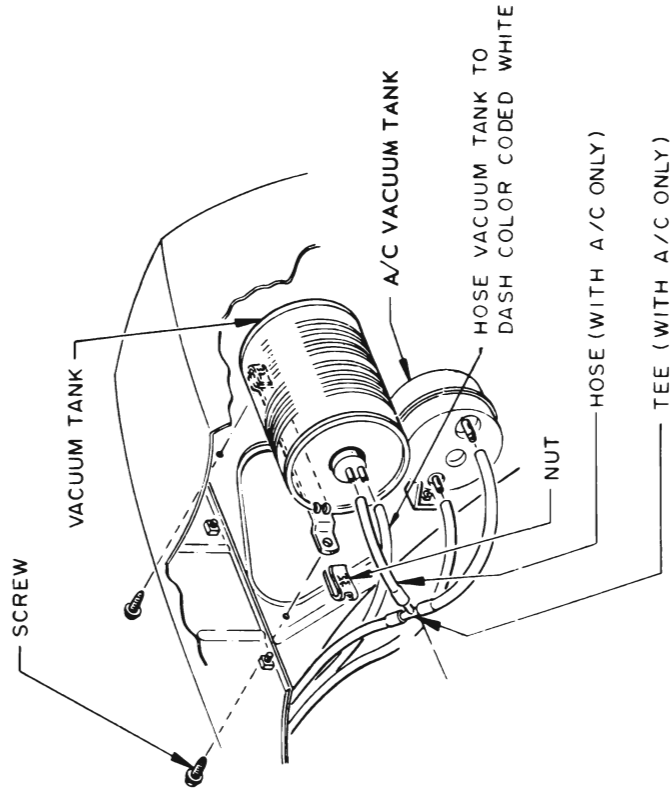
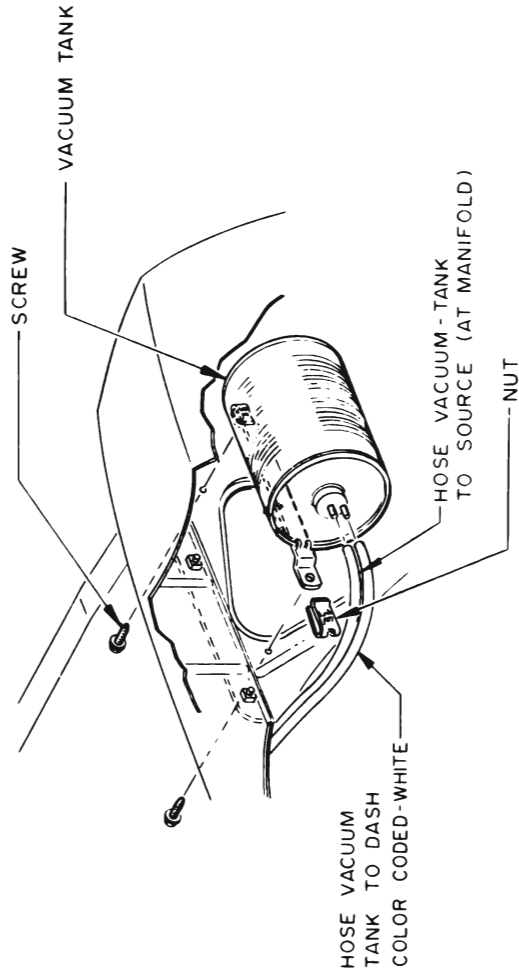


Figure 11-191—Rear Window Defroster Installation - 49000 Series



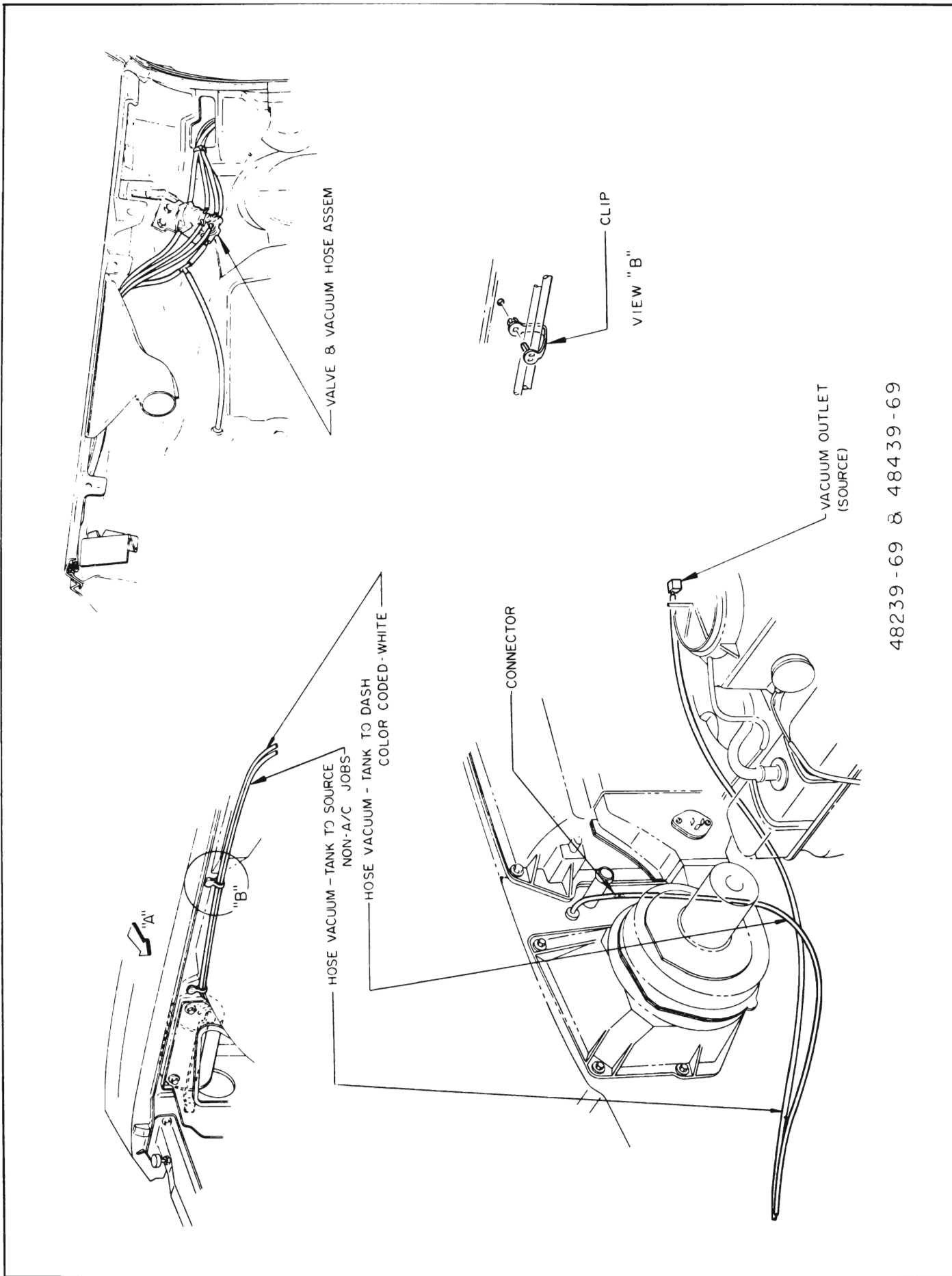
FOR CARS WITH AIR CONDITIONING



FOR CARS WITHOUT AIR CONDITIONING

48239-69 & 48439-69

Figure 11-192—Vacuum Door Lock - 48000 Series



48239-69 & 48439-69

Figure 11-193—Vacuum Door Lock - 48000 Series