

## SECTION 8-B POWER STEERING GEAR AND PUMP

### CONTENTS OF SECTION 8-B

Paragraph	Subject	Page	Paragraph	Subject	Page
8-8	Power Steering Gear & Pump Specifications . . . . .	8-10	8-14	Disassembly, Inspection and Assembly of Adjuster Plug Assembly and Rotary Valve Assembly . . . . .	8-29
8-9	Description of Power Steering Gear and Pump . . . . .	8-11	8-15	Disassembly, Inspection and Assembly of Pitman Shaft Assembly. . . . .	8-33
8-10	Operation of Power Steering Gear . . . . .	8-16	8-16	Disassembly, Inspection and Assembly of Rack-Piston Nut and Worm Assembly . . . . .	8-34
8-11	Trouble Diagnosis—Power Steering Gear and Pump. . . . .	8-19	8-17	Disassembly, Inspection and Assembly of Oil Pump . . . . .	8-37
8-12	Removal and Installation of Pitman Shaft Seals, Steering Gear and Oil Pump . . . . .	8-25	8-18	Removal and Installation of Oil Pump Shaft Seal with Pump not Removed . . . . .	8-40
8-13	Adjustment of Power Steering Gear . . . . .	8-28			

### 8-8 POWER STEERING GEAR AND PUMP SPECIFICATIONS

#### a. Tightening Specifications

Use a reliable torque wrench to tighten the parts listed to insure proper tightness without straining or distorting parts. These specifications are for clean and lightly lubricated threads only; dry or dirty threads produce increased friction which prevents accurate measurement of tightness.

NOTE: See Figures 8-29 and 8-30 for pump mounting bolts and nuts.

Part	Location	Thread Size	Torque Lb. Ft.
Bolt	Lower Coupling Flange Pinch . . . . .	3/8-24	20-35
Bolt	Gear Side Cover to Housing . . . . .	3/8-16	25-35
Stud	Pump Reservoir to Housing . . . . .	3/8-16	25-35
Bolt	Gear Housing to Frame . . . . .	7/16-14	60-75
Union	Pump Pressure Outlet . . . . .	5/8-18	25-35
Nut	Steering Wheel to Steering Shaft . . . . .	1/2-20	20-35
Nut	Pitman Arm to Pitman Shaft . . . . .	7/8-14	100-140
Nut	Pulley to Pump Shaft . . . . .	1/2-20	40-45
Nut	Rear Mounting Bracket to Pump . . . . .	3/8-16	25-35
Nut	Lash Adjuster Lock . . . . .	7/16-20	20-30
Plug	Rack Piston Nut End . . . . .	1 5/16-16	50-100

#### b. Steering Gear Specifications

Items	Specification
Gear Type . . . . .	Recirculating Ball Nut and Worm
Make . . . . .	Saginaw
Ratio, Gear Only . . . . .	17.5 to 1
Ratio, Overall (Including Linkage) . . . . .	20.5 to 1
Steering Wheel Diameter . . . . .	16"
Effort Necessary at Wheel Rim for Initial Hydraulic Assist . . . . .	Approx. 1 lb.
Effort Necessary at Wheel Rim for Full Hydraulic Assist . . . . .	Approx. 3 1/4 lbs.
Turns of Steering Wheel, Left to Right (Gear Connected) . . . . .	3 1/2
Steering System Oil . . . . .	Hydraulic Steering Oil or Automatic Transmission Oil
Steering System Oil Capacity (Dry) . . . . .	1 1/4 qts.

**b. Steering Gear Specifications  
(Cont'd.)**

Items	Specifications
Worm and Rack—Piston Nut Balls—No. and Diameter . . . . .	11 Black, 11 Plain, 6 Sizes Plain From .28117 (Code 6) to .28157 (Code 11) by .00008th
<b>Adjustments</b>	
Thrust Bearing Preload (Including Valve Assembly Drag)	
Torque at Stub or Steering Shaft . . . . .	1 to 11 in. lbs.
Lbs. Pull at Steering Wheel Rim . . . . .	1/4 to 1 1/2 lb.
Worm and Rack Ball Preload	
Torque at Stub or Steering Shaft . . . . .	1 to 5 in. lbs. Higher than Thrust Bearing Preload
Lbs. Pull at Steering Wheel Rim . . . . .	1/8 to 5/8 lb. Higher than Thrust Bearing Preload
Pitman Shaft "Over Center"	
Torque at stub or Steering Shaft . . . . .	4 to 8 in. lbs. Higher than Worm and Rack Ball Preload
Lbs. Pull at Steering Wheel Rim . . . . .	1/2 to 1 lb. Higher than Worm and Rack Ball Preload

**c. Pump Specifications**

Pump Capacity, Gal./Min. @ 485 RPM (Engine) x 700 psi . . . . .	1.75 Minimum
Relief Valve Opening Pressure, psi. . . . .	1100 to 1200
Pump Test Pressure, Min. psi. @ 485 RPM (Engine) and 170° F. Oil Temperature . . . . .	1000 Minimum
Drive Belt Adjustment . . . . .	90 Pounds

**8-9 DESCRIPTION OF  
POWER STEERING  
GEAR AND PUMP**

The rotary valve power steering system is standard equipment on the 4700 and 4800 Series and is offered as optional equipment on the 4400 and 4600 Series.

The rotary valve power steering gear gives precise, positive steering with very little driver effort. Initial hydraulic assist is obtained with approximately .3 degrees of steering wheel rotation and one pound of effort at the steering wheel rim. Full hydraulic assist is obtained with approximately 4 degrees of wheel rotation and 3-1/4 pounds of effort at the wheel rim.

The hydraulic pump is used to supply oil under pressure to operate the steering gear. The housing of the pump is enclosed in a reservoir which minimizes the possibilities of external leakage. A twist-off cap is used on the reservoir to simplify checking the oil level.

With the engine running, steering is manual under conditions which

require an effort of less than one pound at the steering wheel rim. When a greater effort is required, the power mechanism operates to assist in turning the front wheels. The effort then required of the steering wheel rim is limited to a maximum of approximately 3-1/4 pounds for normal steering and parking conditions.

When the engine is not running or if any part of the power mechanism is inoperative the steering gear will operate manually giving the driver full control of the car.

The driver's effort on the steering wheel is always proportioned to the force necessary to turn the front wheels. When the effort on the wheel drops to less than one pound, power assistance ceases. When the steering wheel is released to recover from a turn, the front wheels return to the straight-ahead position in the normal manner without assistance or interference from the power mechanism. Through this conventional steering action the driver always has the "feel" of steering.

**a. Power Steering Gear  
Assembly**

The power steering gear assembly is the recirculating ball type, having a ratio of 17.5 to 1.

The upper end of the pitman shaft has a gear sector meshing with a rack-piston nut. The one-piece rack-piston nut serves as a nut for the recirculating balls and as a power piston to which the oil under pressure is applied. The rack-piston nut has a Teflon piston ring with a back-up "O" ring under it located on its lower outside diameter which serves as a seal between the rack-piston nut and its cylinder gear housing. A snap ring serves as a stop for the piston at the upper end and the housing end plug serves as a stop at the lower end. See Figure 8-18.

A worm shaft turns in the rack-piston nut using the selectively fitted steel balls as a rolling thread. The ball groove is more shallow in the center of the worm so that when the proper size balls are used, there is a slight worm to rack-piston nut preload in the straight-ahead position.

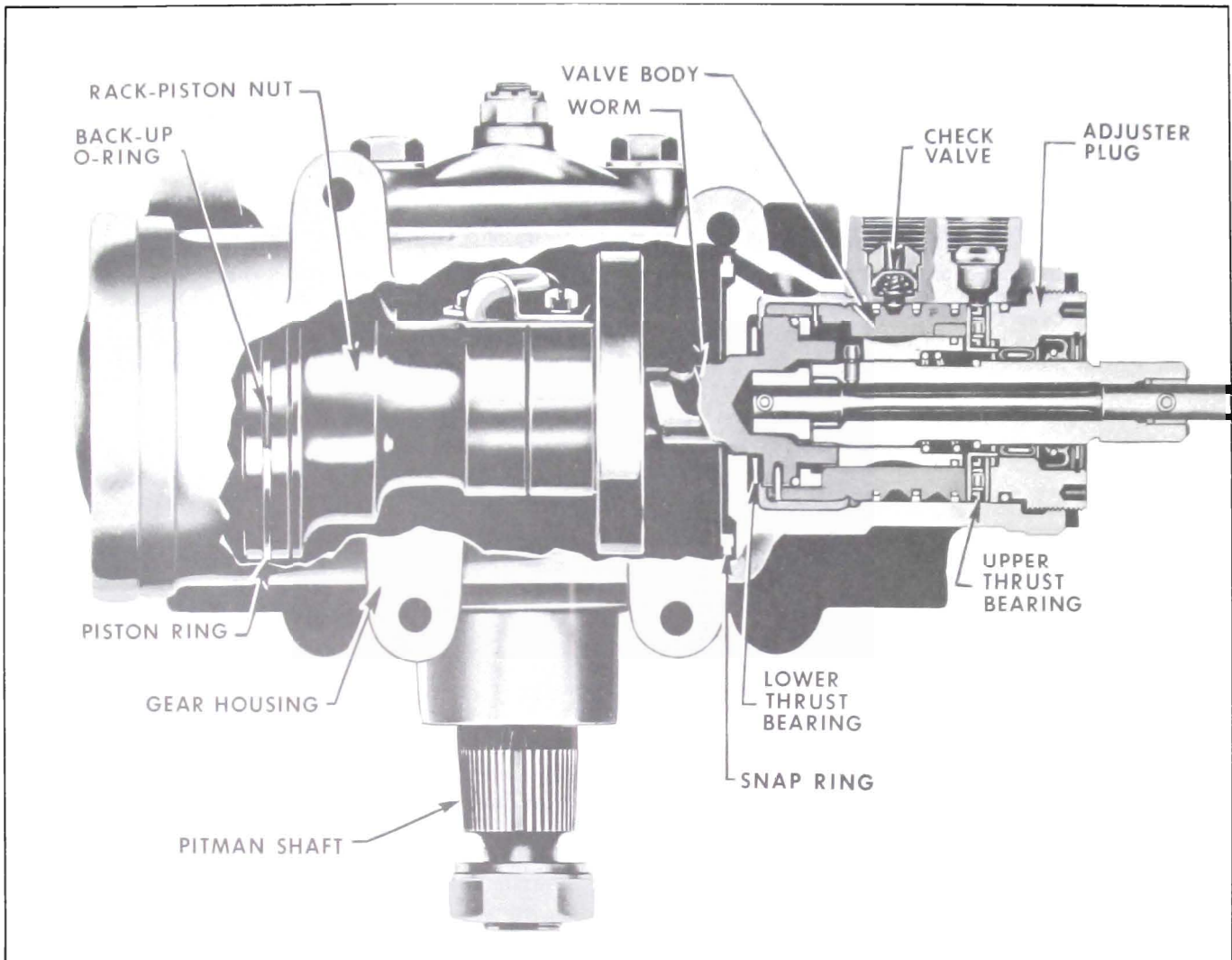


Figure 8-18—Power Steering Gear

Worm shaft radial loads are transmitted to the gear housing through the rack-piston nut. Worm end thrust is caused by the tendency of the worm to thread itself into or out of the rack-piston nut as the steering wheel is turned right or left. This end thrust is absorbed entirely by the upper and lower thrust bearings. The upper thrust bearing is located between the valve body and adjuster plug and the lower thrust bearing is located between the housing and upper end of worm.

The upper steering shaft is a separate shaft supported in the steering column jacket. Its upper

and lower ends are supported by a bearing.

The steering shaft is connected to the power steering gear through a flexible coupling which is bolted to the steering shaft flange. This flexible coupling helps absorb minor shocks and vibrations, dampens out hydraulic noises and gear assembly and the steering column jacket assembly vibrations.

The power steering gear identification number is stamped on the gear housing side cover. The first 3 digits show the day of the year (1 through 365) the gear was

tested. The last digit shows the year (3 for 1963, etc.)

#### b. Rotary Valve Assembly

The rotary valve assembly controls the flow of oil from the pump to the proper side of the rack-piston nut when power assistance is required and cuts off this flow when power assistance is not required.

The rotary valve assembly is located in the upper section of the gear housing and consists of a stub shaft, a torsion bar, a valve body, a valve spool and a valve body cap. See Figure 8-19. The

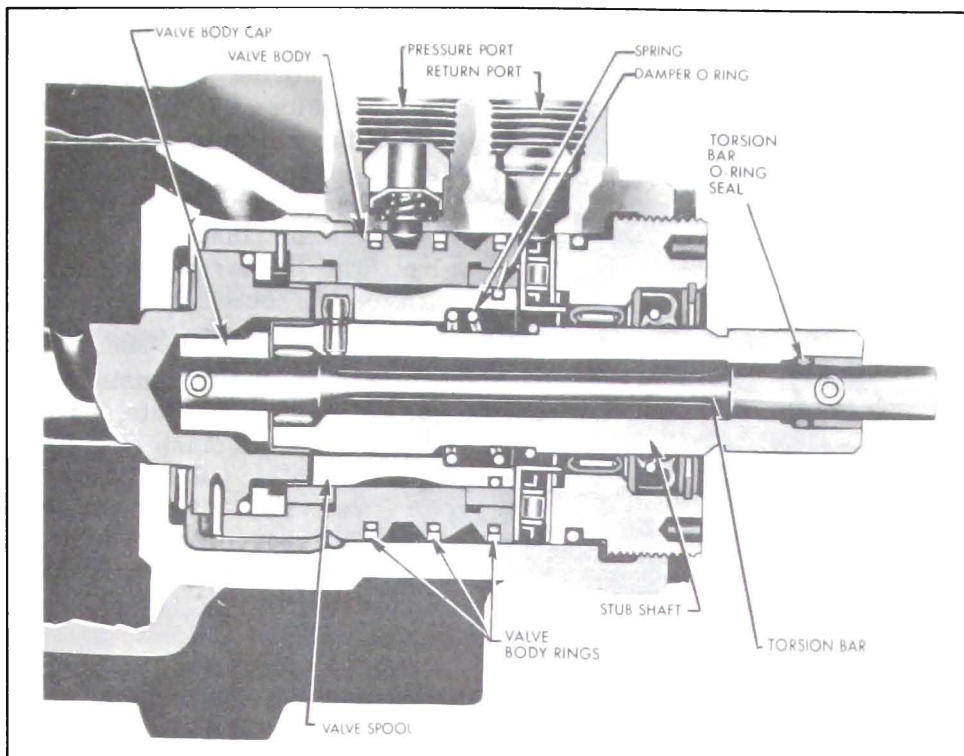


Figure 8-19—Rotary Valve Assembly

stub shaft is attached to the upper steering shaft through the flange assembly. The lower flange is splined to a stub shaft and is retained by a pinch bolt. The torsion bar is located in the center of the stub shaft. The valve spool is an open center valve and is positioned on the lower end of the stub shaft. The valve body encloses the valve spool. The valve body cap is located at the lower end of the valve body.

The valve body has two large oil grooves around its outside diameter. Each groove has four holes drilled into the inside diameter of the valve body. The lower groove is lined up with the pressure port in the gear housing. The upper groove is lined up with a drilled passage in the housing which directs oil to the right turn chamber in the housing, located at the lower end of the rack-piston nut. Three valve body Teflon rings provide leakproof seals for the oil grooves on the valve body. The inside diameter of the valve body has eight slots machined in

it, four are connected to the pressure groove by the four drilled holes. See Figure 8-20. The other four slots, which are wider, are connected to the return port in the housing through the valve spool. Near the center of the valve body are four other drilled holes which are used to direct oil to a passage in the housing that opens to the left turn chamber. This chamber is located at the upper end of the rack-piston nut.

The valve spool which fits inside the valve body may have an outside diameter as close as only

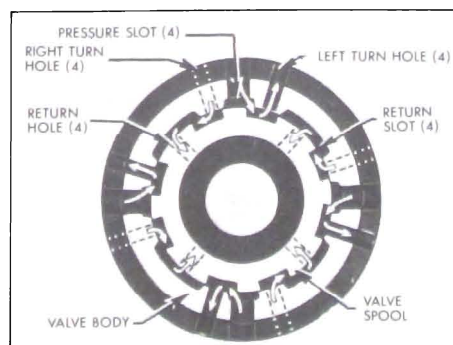


Figure 8-20—Rotary Valve-Left Turn (Upper End View)

.0004 in. smaller than the inside diameter of the valve body. This close fit allows very little, if any, oil flow between the two surfaces. The valve spool has four holes drilled near the upper end of it which are in line with the four return slots in the valve body. These holes allow oil to flow from the return slots in the valve body to the center of the spool and on to return port in the housing. The outside diameter of the spool has eight slots machined on it, four are for opening the right turn holes in the valve body to the pressure slots or to the return slots in the valve body. The other four slots on the spool serve the same function for the left turn holes in the valve body.

Basically the rotary valve assembly is divided into two separate assemblies which are fastened together by the torsion bar. To completely understand how the rotary valve functions, it must be known what parts are firmly attached together. Starting with the stub shaft which is fastened to the steering wheel through the upper steering shaft, the first assembly consists of the stub shaft, valve spool and upper end of the torsion bar. A pin on the outside diameter of the stub shaft retains the valve spool to it and a pin at the upper end of the stub shaft attached the upper end of the torsion bar and shaft together. See Figure 8-21.

The balance of the assembly which is connected to the front wheels of the car through linkage, pitman shaft and rack-piston nut, consists of the worm, valve body, valve body cap and lower end of the torsion bar.

The worm is attached to the valve body by a pin located at the upper end of the worm. A pin on the inside diameter of the valve body fastens the valve body cap to the valve body. To complete this assembly, a pin attaches the valve body cap to the lower end of the torsion bar.

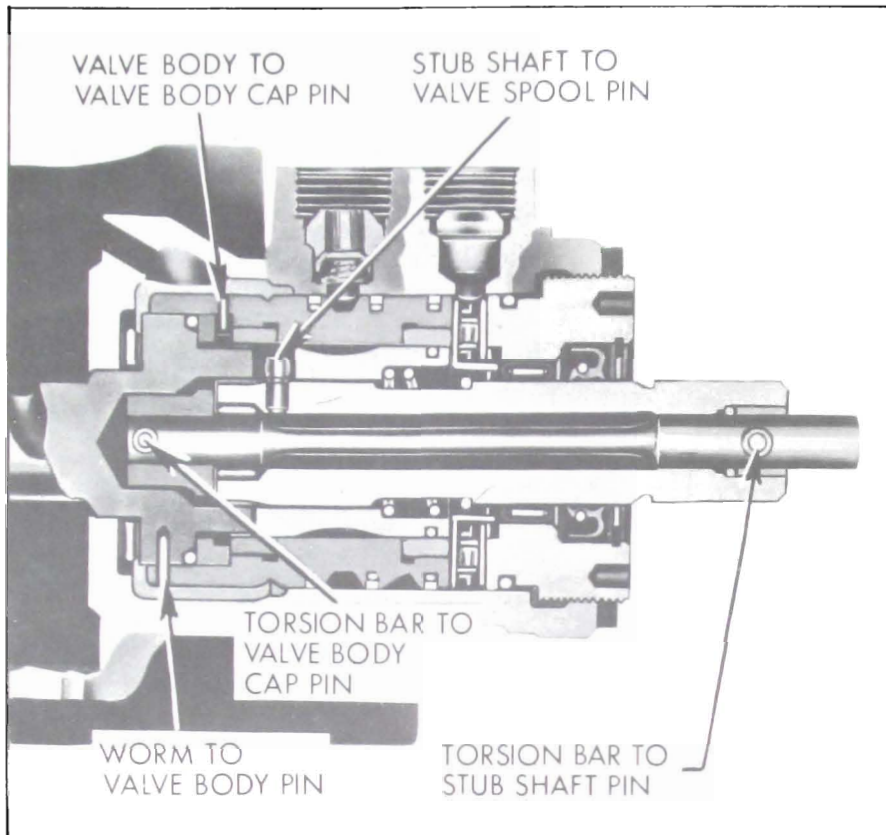


Figure 8-21—Attaching Pins for Valve Parts

When there is resistance to turning between the roadbed and the wheels of the car, the parts attached to the worm will also resist turning. Thus when the steering wheel is turned by the driver, the torsion bar will deflect and allow the stub shaft and valve spool to rotate with the steering wheel. When this occurs, the relationship between the valve spool and valve body is changed and oil flow is directed by the slots on the valve spool through the holes in the valve body to the proper side of the rack-piston nut to assist the driver. The torsion bar deflection is limited to a predetermined amount. The upper end of the worm has two tangs which fit through slots in the valve body cap and into two slots in the end of the stub shaft. In case of a power mechanism failure, the stub shaft will contact the tangs of the worm and steering will be manual.

### c. Oil Pump and Hoses

The oil pump, which is mounted on the engine in position to be driven by a belt from the crankshaft balancer, converts some engine power into oil pressure which is used against the rack-piston nut to rotate the pitman shaft.

The pump reservoir encloses the pump housing and provides a reserve supply of oil to assure complete filling of the hydraulic system. See Figure 8-22. The reservoir cap is vented which permits escape of any air that may be introduced into the system during assembly of the various units and maintains atmospheric pressure in the reservoir.

The pump housing encloses the flow control valve and the rotor assembly. The flow control valve and spring are retained in pump housing by the pressure union.

See Figure 8-23. This allows servicing the flow control valve without removing the pump from the engine. Inside the flow control valve is the pressure relief valve. Also in the end of the flow control valve is a filter screen which filters the oil that enters this valve. The pressure union which is the pump outlet, contains the pump exit hole and an orifice.

The rotor assembly consists of a drive shaft, a thrust plate, a rotor with ten vanes, a pump ring and a pressure plate. Oil enters the rotor section of the housing through a reservoir hole in housing which is open to the surrounding reservoir.

The rotor is loosely splined to the end of the drive shaft, is located adjacent to the face of the thrust plate and is enclosed by the pump ring. The rotor has a pressed-in sleeve which fits through the thrust plate and keeps the rotor in alignment. The rotor vanes slide radially outward to contact the hardened and ground inside cam surface of the ring. See Figure 8-24.

As the shaft and rotor rotate, centrifugal force and fluid pressure against the inner ends cause the vanes to follow the cam contour of the ring. The cam surface is so shaped that two opposite pumping chambers are formed which cause a complete pumping cycle to occur every 180 degrees of rotation of the rotor. The pump ring has two crossover passages drilled in it which transfer oil from the thrust plate into a discharge cavity located at the rear of the pressure plate.

When the engine is started, each pumping chamber picks up oil from two openings, one between the pressure plate and ring and the other between the thrust plate and ring. See Figure 8-22. The oil is then propelled by the decreasing pockets in each pumping chamber into the discharge cavity

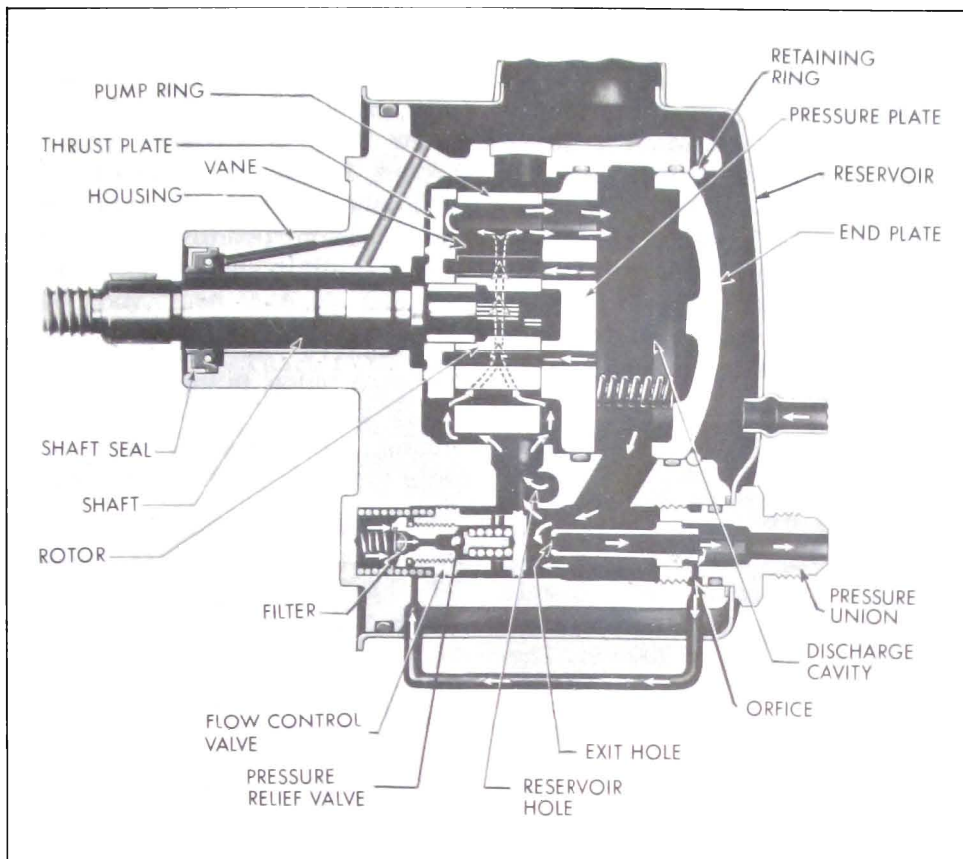


Figure 8-22—Oil Flow in Pump

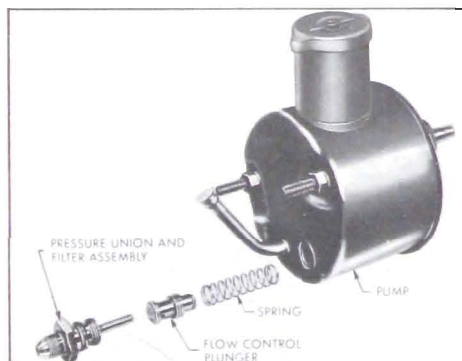


Figure 8-23—Flow Control Valve Installation

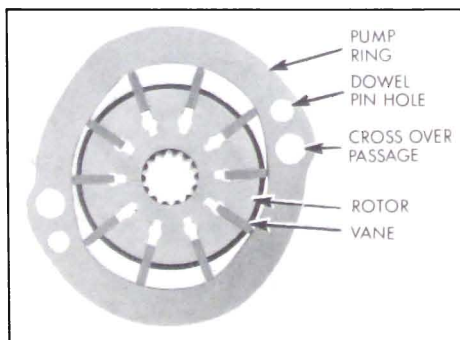


Figure 8-24—Pump Ring and Rotor

through an opening in the pressure plate and an opening in the thrust plate which is connected to the crossover passage in the ring. The oil flows from the discharge cavity into a passage which is open to the rear of the flow control valve and to the exit hole in one end of the pressure union. A certain quantity of oil flows through the outlet end of pressure union and on to the steering gear rotary valve assembly. Some oil flows through the orifice in the pressure union and into a passage in pump housing which directs oil into the spring chamber located in front of the flow control valve. Pressure in the discharge cavity is always greater than the pressure of the oil that has passed through the exit hole in the pressure union.

The flow control valve regulates the opening of a by-pass passage through which oil may be returned back to the suction and reservoir section of the pump.

When the pump is running without demand for steering pressure, pressure in the discharge cavity is great enough to push the flow control valve open against a spring load of approximately ten pounds. See Figure 8-25. The pressure in the spring chamber tends to close the valve but, since pressure in the discharge cavity is always greater than in the spring chamber, the valve is not closed. The movement of the valve is controlled by the spring tension and the difference in pressure on the front and rear side of the valve.

When power steering is demanded and the steering gear rotary valve restricts free circulation of oil as described later (par. 8-10), the pump pressure builds up rapidly. As the pressure increases in the discharge cavity it also increases in the spring chamber and in turn additional pressure is required to move the flow control valve to open the by-pass passage. The maximum amount of build-up of pressure by the pump depends on the amount of restriction through the gear which is controlled by the rotary valve. When power assistance is no longer required, the restriction through the gear is reduced to a predetermined minimum. With a small amount of restriction through the gear, the

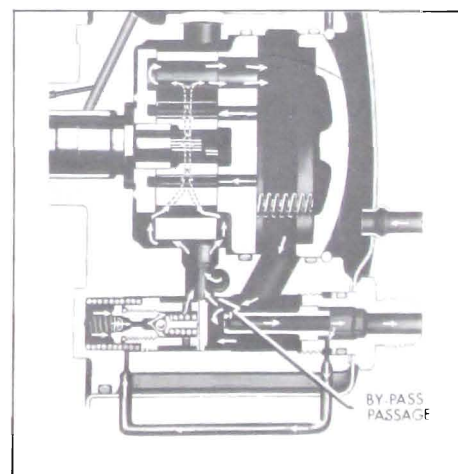


Figure 8-25—Flow Control Valve Operation

pressure in the spring chamber drops to a minimum value. Thus, the pressure in the discharge cavity also is reduced as this pressure is governed by the spring tension and the oil pressure present in the spring chamber of the pump.

If pump output pressure reaches 1100 to 1200 psi, the increased pressure in the spring chamber forces a pressure relief valve open and oil escapes from the spring chamber into the by-pass hole around the pressure relief valve ball. See Figure 8-25.

As oil pressure is relieved in the spring chamber, the high pressure in the pump discharge cavity overcomes the spring load to open the flow control valve. Because outlet pressure has to pass through an orifice to get into the spring chamber, the pressure in

the spring chamber drops below outlet pressure for a fraction of a second. This allows the flow control valve to be open enough to lower line pressure to a safe level immediately. Oil is then pumped into the by-pass passage until the line pressure opposing the pump drops below the relief valve setting, permitting this valve to close. The flow control valve then resumes normal operation.

The flow control valve starts to open at 300-400 RPM of pump and is functioning when the pump is running 465 RPM (400 RPM of engine). The minimum flow a new pump must produce is 1.75 gal. per minute at 465 pump RPM against a pressure of 700 psi. The flow plunger permits a maximum flow of 2.3 gal. per minute at 1500 RPM against a pressure of 50 psi. The pressure relief valve is set for 1100 to 1200 psi.

The power steering pump identification number is stamped on the left side of the reservoir below filler neck. The first 3 digits show the day of the year (1 through 365) the pump was tested. Next is a letter for manufacturer identification (S for Saginaw). The last digit shows the year (3 for 1963, etc.).

A pressure hose connects the pressure union in the pump to the rotary valve in the steering gear housing and a return hose connects the rotary valve to the pump reservoir.

## 8-10 OPERATION OF POWER STEERING GEAR

### a. Neutral or Straight-Ahead

Figure 8-26 shows the rotary valve in the neutral or straight-ahead position. Oil flows from

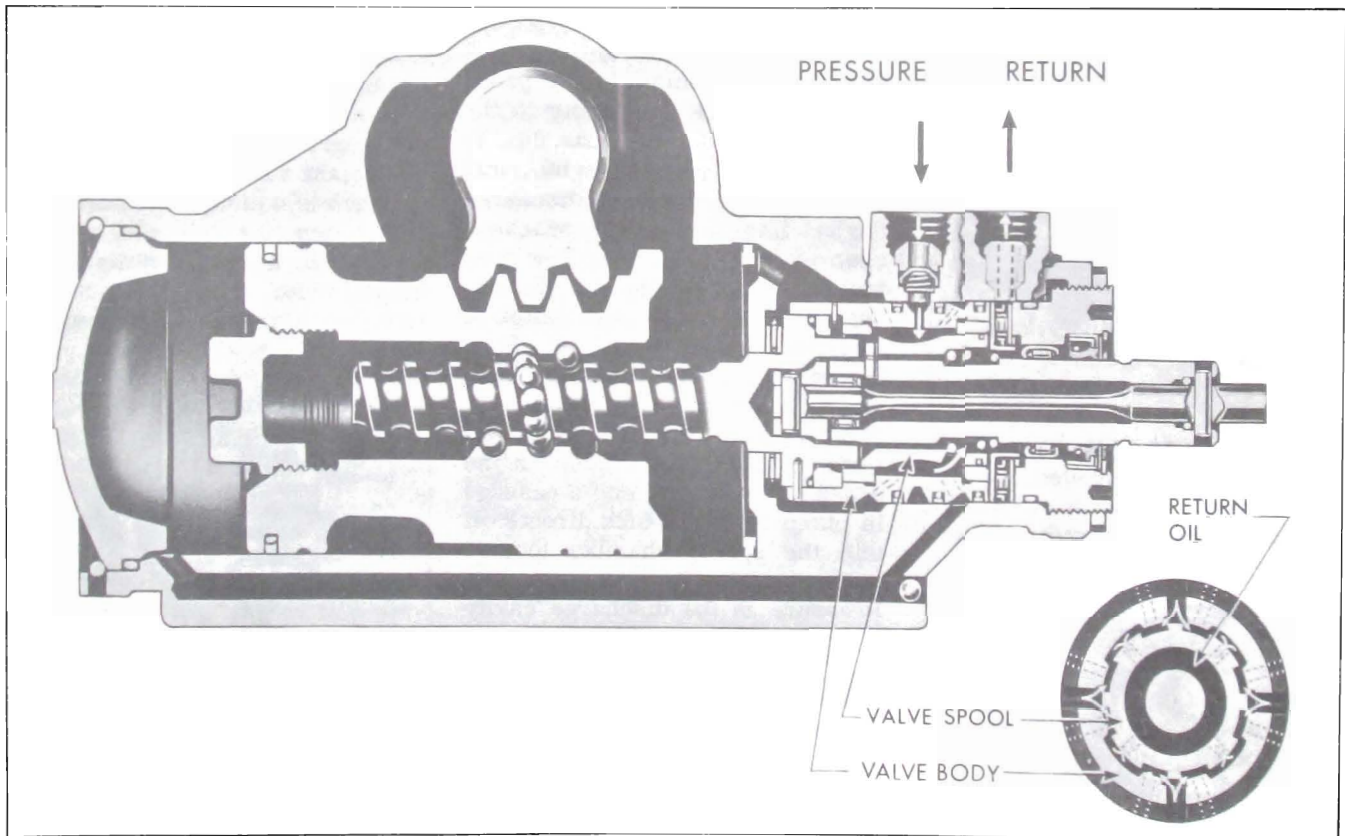


Figure 8-26—Oil Flow in Power Steering Gear - Straight Ahead Position

the pump into the pressure port of the gear, through the open center valve spool and back to the pump reservoir through the return port. The slots on the valve spool are so positioned in the valve body that the oil entering through the pressure port is directed to the return slots in the valve body, then through the center of the spool which is open to the return port. There is no flow to either side of the rack-piston nut, but each side is full of oil at all times. In the straight-ahead position the pressure on both sides is equal. The oil acts as a cushion that absorbs road shocks so they are not transferred to the steering wheel, thus giving safer and more effortless driving. In addition, this oil lubricates all the internal components of the gear.

All passages in the gear are open

in the straight-ahead position and the valve remains in this position at all times except when effort applied to the steering wheel is more than one pound. The rotary valve's open center position design reduces pump losses to a minimum by allowing a minimum of restriction to oil flow in the straight-ahead position.

### b. Right Turn

Figure 8-27 illustrates the operation of the gear when the steering wheel is turned to the right. Due to the resistance of turning between the front wheels and the roadbed, the torsion bar is deflected, changing the relationship between the slots in the valve spool and the slots in the valve body. The right turn slots on the valve spool are closed off from the return slots in the valve body

and are opened more to the pressure slots. The left turn slots of the spool are closed off from the pressure slots and opened more to the return slots. This causes oil to flow into the right turn chamber of the housing and force the rack-piston nut upward. As the rack-piston nut moves upward, it applies turning effort to the pitman shaft.

The oil in the left turn chamber in the housing is simultaneously forced out through the valve and back to the pump reservoir. The higher the resistance to turning between the roadbed and the car wheels, the more the position of the valve spool is changed in relationship to the valve body and the higher the oil pressure on the lower end of the rack-piston nut. Since the amount of hydraulic pressure directed to the right turn chamber is dependent upon

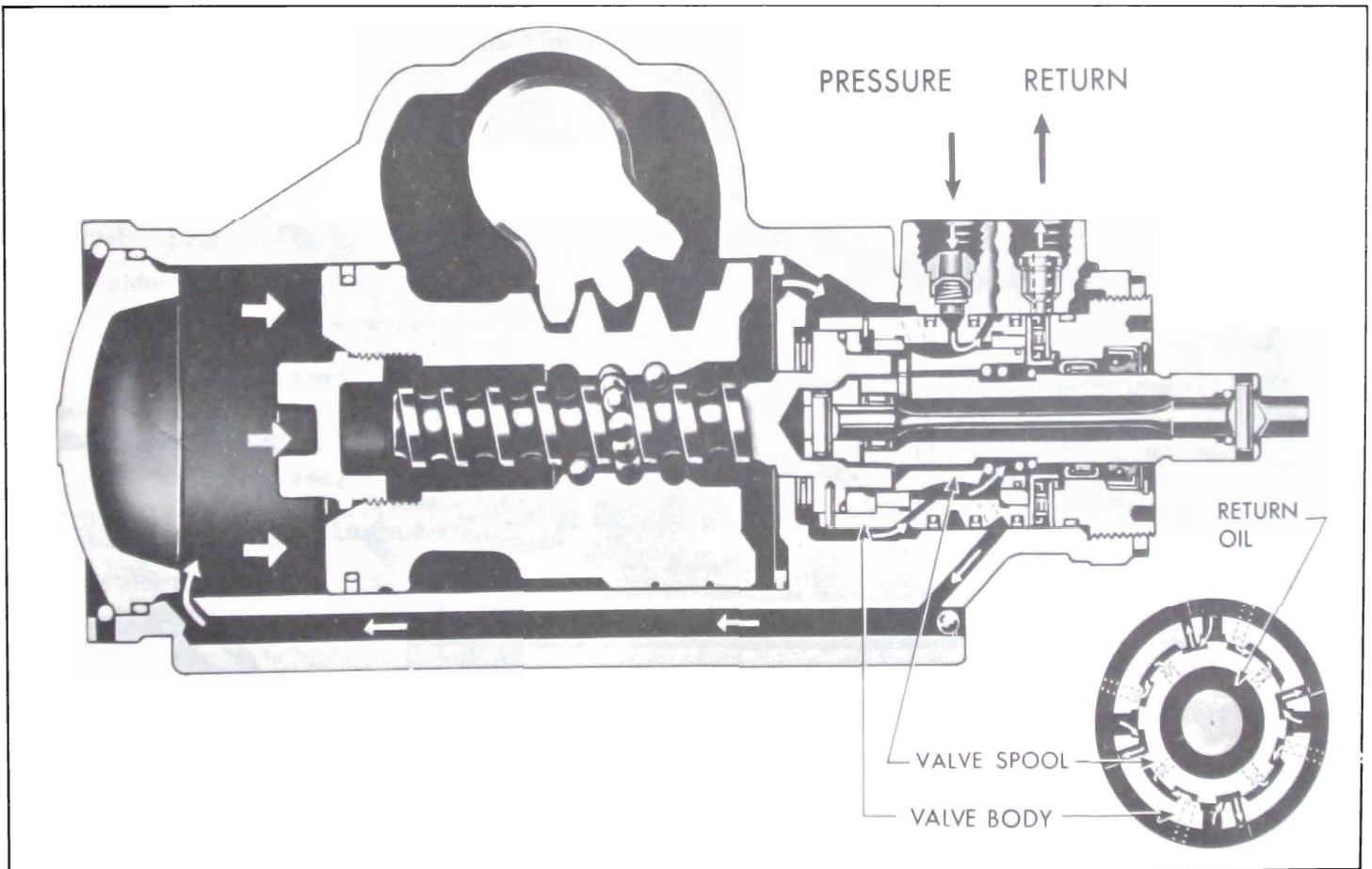


Figure 8-27—Oil Flow in Power Steering Gear - Right Turn



the resistance to turning, the driver is assured of the proper amount of smooth hydraulic assistance at all times.

The instant the driver stops applying steering effort to the steering wheel, the valve spool is moved back into its straight-ahead position in the valve body by the torsion bar.

When this happens, the oil pressure is again equal on both sides of the rack-piston nut, and the steering geometry of the car causes the wheels to return to the straight-ahead position.

#### c. Left Turn

Figure 8-28 illustrates the operation of the gear when the steering wheel is turned to the left. The resistance to turning of the front wheels causes the torsion bar to

deflect, changing the relationship between the valve spool slots and the valve body slots. The slots are reversed from the right turn position and change the flow of oil into the left turn chamber in the housing, moving the rack-piston nut downward. Thus, turning effort is applied to the pitman shaft. The oil in the right turn chamber is forced through the valve and back to the reservoir. When the driver stops applying steering effort, the valve spool returns to straight-ahead position.

#### d. Check Valve Poppet

The check valve is located in the pressure port of the housing under the connector. The valve consists of a poppet and a spring and its purpose is to reduce the possibility of steering wheel "kick-back". If when making a turn, the front tire hits a bump which

forces it in a direction opposite the turn, the impact will be carried up to the rack-piston nut by the pitman shaft. If the force is great enough, the rack-piston nut will tend to move against the applied oil pressure and force oil back through the valve assembly and out through the pressure port where the poppet valve is now located. If the rack-piston moved in the opposite direction, the steering wheel would resist momentarily or would "kick-back". The poppet valve is designed to prevent the above action from occurring by trapping the oil inside the gear.

#### e. Steering Effort

During normal driving, the steering wheel effort will range from 1 to 2-1/4 pounds. The parking effort ranges from 2 to 3-1/4 pounds, depending upon the road

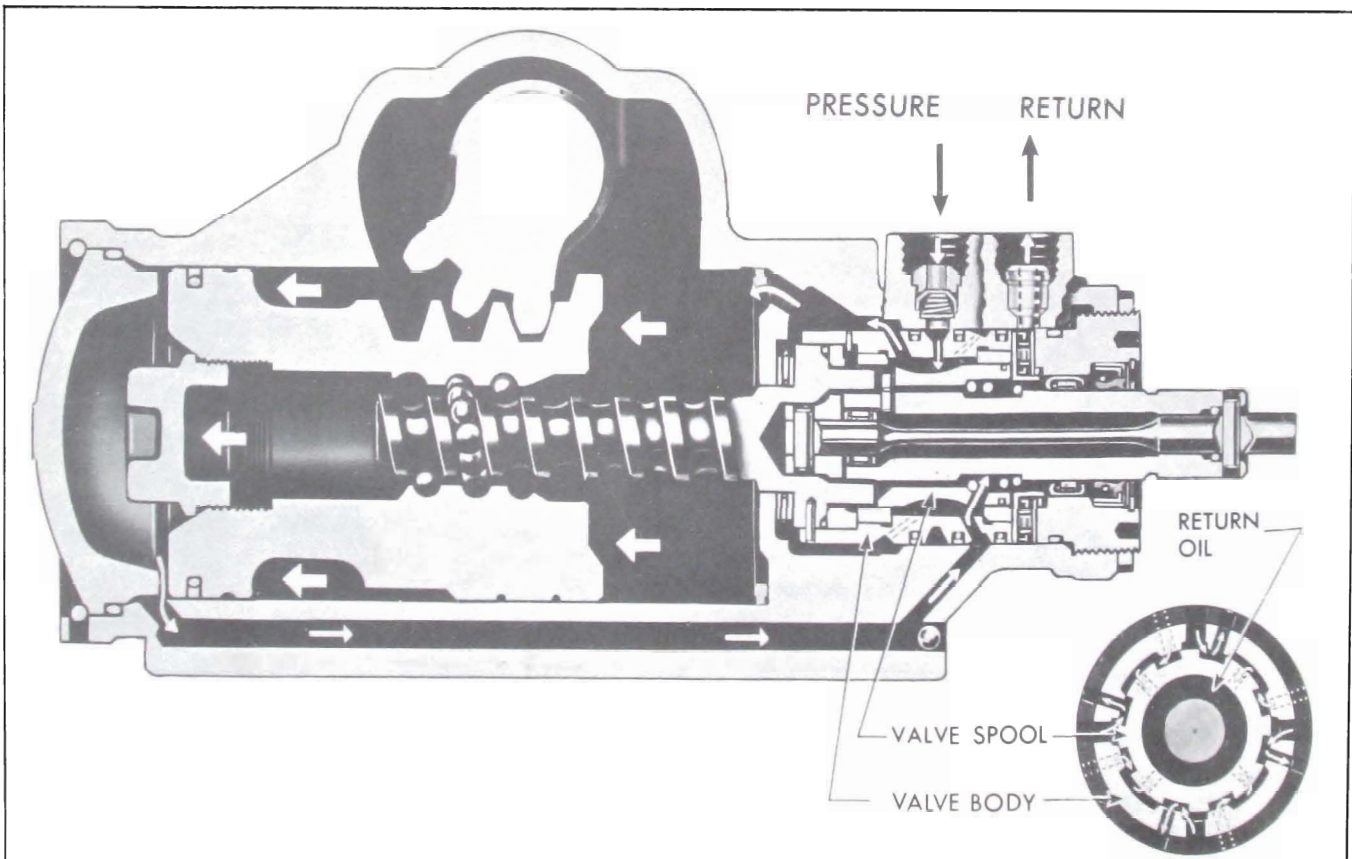


Figure 8-28—Oil Flow in Power Steering Gear - Left Turn

conditions. Full hydraulic assist is obtained with approximately 3-1/4 pounds of effort at steering wheel rim. The more the turning resistance, the greater the pressure in the right or left turn chamber and the more effort the

driver must apply to the steering wheel to turn the car. This proportional effort gives the driver the "feel of the road" at all times.

During normal driving conditions,

the hydraulic oil pressure in the turn chambers should not exceed 125 psi. Pressure for cornering should not exceed 400 psi and parking pressure may range up to 1100-1200 psi depending upon the road surface.

**8-11 TROUBLE DIAGNOSIS—POWER STEERING GEAR AND PUMP**

NOTE: This paragraph covers only those causes of trouble which may be due to the hydraulic power mechanism. Causes which are due to the steering linkage and front suspension are the same as described for standard steering gear in paragraph 8-3.

COMPLAINT AND CAUSE	CORRECTION
<p>a. HARD STEERING WHILE DRIVING</p> <ol style="list-style-type: none"> <li>1. Lower coupling flange rubbing against adjuster plug.</li> <li>2. Steering adjustment tight.</li> <li>3. Insufficient pressure build-up in gear power cylinder due to leak or faulty valve.</li> <li>4. Incorrect installation or operation of the gear check valve poppet.</li> </ol>	<ol style="list-style-type: none"> <li>1. Loosen pinch bolt and assemble properly. There should be 1/16" clearance between plug and flange.</li> <li>2. Check adjustment by disconnecting pitman arm from gear.</li> <li>3. Replace defective parts.</li> <li>4. Check operation of valve, paragraph 8-16, subparagraph c, Step 6.</li> </ol>
<p>b. POOR RETURN OF STEERING GEAR TO CENTER</p> <ol style="list-style-type: none"> <li>1. Lower coupling flange rubbing against adjuster plug.</li> <li>2. Tighten pitman sector to rack-piston nut adjustment.</li> <li>3. Rack-piston nut to worm preload too tight.</li> <li>4. Thrust bearing adjustment incorrect.</li> <li>5. Sticky valve spool.</li> </ol>	<ol style="list-style-type: none"> <li>1. Loosen pinch bolt and assemble properly.</li> <li>2. Adjust in car to specification.</li> <li>3. Remove gear and replace balls as required.</li> <li>4. Adjust to specification.</li> <li>5. Remove and clean valve. Replace rotary valve assembly if necessary.</li> </ol>
<p>c. PUMP INOPERATIVE OR POOR OR NO ASSIST</p> <p><u>NOTE: Refer to subparagraph i, Step 4, to determine if pump is at fault.</u></p> <ol style="list-style-type: none"> <li>1. Loose drive belt.</li> <li>2. Low oil level.</li> <li>3. Air in the oil.</li> <li>4. Defective hoses.</li> <li>5. Flow control valve stuck open.</li> <li>6. Loose screw in end of flow control valve.</li> <li>7. Pressure plate not flat against ring.</li> </ol>	<ol style="list-style-type: none"> <li>1. Tighten belt.</li> <li>2. Fill reservoir.</li> <li>3. Locate source of air leak and correct.</li> <li>4. Replace hose.</li> <li>5. Remove burrs or dirt.</li> <li>6. Tighten.</li> <li>7. Properly seat pressure plate against ring.</li> </ol>

**8-11 TROUBLE DIAGNOSIS—POWER STEERING GEAR AND PUMP (Cont'd)**

COMPLAINT AND CAUSE	CORRECTION
<b>c. PUMP INOPERATIVE OR POOR OR NO ASSIST (Cont'd)</b>	
8. Extreme wear of pump ring.	8. Replace part.
9. Scored pressure plate, thrust and/or rotor.	9. Lap off light scoring. Replace heavily scored parts.
10. Vanes not installed properly.	10. Install properly.
11. Vanes sticking in rotor slots.	11. Free up by removing burrs or dirt.
12. Faulty flow control valve assembly.	12. Replace assembly.
13. "O" ring improperly installed on pressure union.	13. "O" ring must be in groove nearest outlet of union.
14. End plate improperly installed or seal damaged.	14. Install properly. Replace seal.
<b>d. MOMENTARY INCREASE IN EFFORT WHEN TURNING WHEEL FAST TO THE RIGHT OR TO THE LEFT.</b>	
1. Air in system.	1. Bleed gear.
2. Low oil level in pump.	2. Check oil level in pump reservoir.
3. High internal leakage.	3. Replace rack-piston ring and back-up "O" ring, rack-piston nut end plug seal, and/or replace valve.
<b>e. EXTERNAL OIL LEAKS</b>	
NOTE: Wipe gear and pump thoroughly and make sure source of leakage is determined.	
1. Gear leaks.	
(a) Loose hose connections.	(a) Tighten.
(b) Damaged hose.	(b) Replace.
(c) Side cover "O" ring seal.	(c) Replace seal.
(d) Pitman shaft seal.	(d) Replace seals.
(e) Housing end plug "O" ring seal.	(e) Replace seal.
(f) Adjuster plug "O" ring seal.	(f) Replace seal.
(g) Torsion bar "O" ring seal (See Figure 8-19).	(g) Replace valve.
(h) Pitman shaft lash adjuster nut.	(h) Replace nut.
(i) Stub shaft seal.	(i) Replace seal.
2. Pump leaks.	
(a) Oil leaking at top of reservoir as it is too full.	(a) Remove oil to proper level.
(b) Oil leaking at top of reservoir caused by air bubbles in oil.	(b) Locate source of air leak and correct.
(c) Reservoir "O" ring seal damaged or improperly installed.	(c) Replace "O" ring.

**8-11 TROUBLE DIAGNOSIS—POWER STEERING GEAR AND PUMP (Cont'd)**

COMPLAINT AND CAUSE	CORRECTION
<p>e. EXTERNAL OIL LEAKS (Cont'd)</p> <p>(d) Pressure union or reservoir to housing bolt and stud not tightened sufficiently.</p> <p>(e) Pressure union or reservoir to housing bolt and stud cross threaded or damaged.</p> <p>(f) Defective pressure fitting seat on hose end.</p> <p>(g) Damaged reservoir to housing or pressure union "O" ring seals.</p> <p>(h) Defective shaft seal.</p> <p>(i) Damaged shaft at seal area.</p> <p>(j) Leaks in metal parts. (Example: Drawing crack in reservoir.)</p>	<p>(d) Torque union and stud and bolt to 30 lb. ft.</p> <p>(e) Replace damaged parts.</p> <p>(f) Replace hose.</p> <p>(g) Replace seals.</p> <p>(h) Replace seal.</p> <p>(i) Replace shaft.</p> <p>(j) Replace defective part.</p>
<p>f. NOISE</p> <p>1. Gear Noise (rattle or chuckle)</p> <p>(a) Loose "overcenter" adjustment.</p> <p>NOTE: A slight rattle may occur on turns because of the increased lash when off the "high point". This is normal and the lash must not be reduced below the specified limits to eliminate this slight rattle.</p> <p>(b) Gear loose on frame.</p> <p>2. Gear Noise ("hissing" sound).</p> <p>(a) A hissing noise is natural when steering wheel is at end of travel or when slowly turning at stand still.</p> <p>3. Gear Noise (squawk when turning or when recovering from a turn).</p> <p>(a) Cut or worn dampener "O" ring on valve spool.</p>	<p>(a) Adjust to specification.</p> <p>(b) Tighten mounting bolts to 65 lb. ft.</p> <p>(a) Do not replace valve unless "hiss" is extremely objectionable. Investigate clearance around safety drive rivet pins. Be sure there is no metal-to-metal contact around flexible coupling as this will transmit valve hiss to car.</p> <p>(a) Replace dampener "O" ring.</p>

## 8-11 TROUBLE DIAGNOSIS—POWER STEERING GEAR AND PUMP (Cont'd)

COMPLAINT AND CAUSE	CORRECTION
<p>f. NOISE (Cont'd)</p> <p>4. Pump Noise.</p> <p>(a) Loose belt.</p> <p>(b) Hoses touching other parts of car.</p> <p>(c) Low oil level.</p> <p>(d) Air in the oil.</p> <p>(e) Excessive back pressure caused by hoses or steering gear.</p> <p>(f) Scored pressure plate.</p> <p>(g) Vanes not installed properly.</p> <p>(h) Vanes sticking in rotor slots.</p> <p>(i) Extreme wear of pump ring.</p> <p>(j) Face of thrust plate scored.</p> <p>(k) Scored rotor.</p> <p>(l) Defective flow control valve.</p>	<p>(a) Tighten belt.</p> <p>(b) Adjust hose positions.</p> <p>(c) Fill reservoir.</p> <p>(d) Locate source of air leak and correct.</p> <p>(e) Locate restriction and correct. With pressure gauge installed in pressure hose between pump and gear and engine running at 1500 RPM, oil warm, and no effort on the steering wheel. See Figure 8-29. Pressure should not exceed 125 psi. Check operation of check valve poppet, paragraph 8-16, subparagraph c, Step 6.</p> <p>(f) Lap out light scoring. Replace heavily scored part.</p> <p>(g) Install properly.</p> <p>(h) Free up by removing burrs or dirt.</p> <p>(i) Replace part.</p> <p>(j) Lap out light scoring. Replace heavily scored part.</p> <p>(k) Lap out light scoring. Replace heavily scored part.</p> <p>(l) Replace.</p>
<p>g. EXCESSIVE WHEEL KICKBACK OR LOOSE STEERING</p> <p>1. Air in system.</p> <p>2. Excessive lash between pitman shaft sector and rack-piston.</p> <p>3. Loose thrust bearing adjustment.</p> <p>4. Rack-piston nut to worm preload too low.</p> <p>5. Incorrect installation or operation of the gear check valve poppet.</p>	<p>1. Add oil to pump reservoir and bleed.</p> <p>2. Adjust to specification.</p> <p>3. Remove gear and adjust to specification.</p> <p>4. Remove rack-piston nut and worm, and change balls to obtain specified preload.</p> <p>5. Check operation of valve, paragraph 8-16, subparagraph c, Step 6.</p>
<p>h. STEERING WHEEL SURGES OR JERKS WHEN TURNING WITH ENGINE RUNNING</p> <p>Loose pump belt.</p>	<p>Adjust to specification.</p>

## 8-11 TROUBLE DIAGNOSIS—POWER STEERING GEAR AND PUMP (Cont'd)

COMPLAINT AND CAUSE	CORRECTION
i. HARD STEERING WHEN PARKING	
<ol style="list-style-type: none"> <li>1. Loose pump belt.</li> <li>2. Low oil level in reservoir.</li> <li>3. Steering gear adjustments tight.</li> <li>4. Insufficient oil pressure.</li> </ol>	<ol style="list-style-type: none"> <li>1. Adjust to specification.</li> <li>2. Fill to proper level. If excessively low, check all lines and joints for evidence of external leakage.</li> <li>3. Adjust to specification.</li> <li>4. If all of the above checks do not reveal the cause of hard steering, make the following tests of oil pressure:               <ol style="list-style-type: none"> <li>(a) Disconnect the pressure line at oil pump. Attach pressure gauge to pump. Connect the hose to end of gauge where the valve is located. See Figure 8-29.</li> <li>(b) With engine at warm idle (525 RPM) and gauge valve open, note the oil pressure on the gauge while turning steering wheel from one extreme position to the other. Especially note the maximum pressure which can be built up with the wheel held in either right or left extreme position.                   <p data-bbox="971 1213 1516 1367"><b>CAUTION:</b> <u>Do not hold wheel in extreme position for an extended period of time because it will drastically increase the oil temperature and will cause undue wear on the oil pump.</u></p> </li> <li>(c) With oil temperature between 150° F and 170° F, as measured with a thermometer in the reservoir, the maximum oil pressure should not be less than 1000 psi for satisfactory power steering operation.</li> <li>(d) If the maximum oil pressure is less than 1000 psi, it indicates trouble in the pump, oil hoses, steering gear, or a combination of these parts. To eliminate the hoses and gear, close the gauge valve and quickly test pressure of the pump only with the engine at warm idle, then open the valve to avoid increasing oil temperature. A minimum pressure of 1000 psi should be present with valve closed.</li> </ol> </li> </ol>

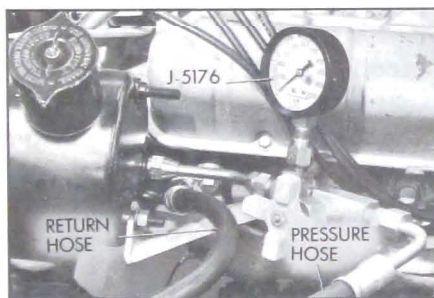


Figure 8-29—Pressure Gauge Installed

**8-11 TROUBLE DIAGNOSIS—POWER STEERING GEAR AND PUMP (Cont'd)**

COMPLAINT AND CAUSE	CORRECTION
<p>i. HARD STEERING WHEN PARKING (Cont'd)</p> <p>5. Low oil pressure in gear caused by restriction in hoses.</p> <p>(a) Check for kinks in hoses.</p> <p>(b) Foreign object in hose.</p> <p>6. Low oil pressure due to steering gear.</p> <p>(a) Leakage at side cover "O" ring, housing end plug "O" ring, pitman shaft seals.</p> <p>(b) Pressure loss in cylinder due to worn piston ring, damaged back-up "O" ring or scored housing bore.</p> <p>(c) Leakage at valve rings, valve body to worm seal, rack-piston end plug seal.</p> <p>(d) Loose fit of spool in valve body or leaky valve body.</p> <p>7. Incorrect installation or operation of the gear check poppet valve.</p>	<p>(e) Comparing the maximum pressure obtained in these two tests will indicate source of trouble as follows: Step (b) pressure low and Step (d) pressure normal indicates faulty external oil lines or steering gear. Step (b) and Step (d) pressures equally low indicates faulty oil pump.</p> <p>(a) Remove kink.</p> <p>(b) Remove hoses and remove restricting object or replace hose.</p> <p>(a) Replace defective seals.</p> <p>(b) Remove gear from car for disassembly and inspection of rings and housing bore.</p> <p>(c) Remove gear from car for disassembly and replace seals.</p> <p>(d) Replace rotary valve assembly.</p> <p>7. To determine if the poppet valve is installed and operating correctly, disconnect the pressure hose and install a pressure gauge between the hose and the pump. With the engine at warm idle (525 RPM) and no effort on the steering wheel, oil pressure should not exceed 60 psi with warm oil. If gauge indicates more than 60 psi the poppet valve should be checked for correct installation. Paragraph 8-16, subparagraph c., Step 6.</p>
<p>j. NO EFFORT REQUIRED TO TURN</p> <p>Broken torsion bar.</p>	<p>Replace rotary valve assembly.</p>

## 8-12 REMOVAL AND INSTALLATION OF PITMAN SHAFT SEALS, STEERING GEAR AND OIL PUMP

### a. Removal and Installation of Pitman Shaft Seals with Steering Gear in Car

If, upon inspection of the gear, it is found that oil leakage exists at the pitman shaft seals, the seals may often be replaced without removing gear assembly from car as follows:

1. Remove pitman nut and disconnect pitman arm from pitman shaft using Puller J-5504. See Figure 8-30.

2. Thoroughly clean end of pitman shaft and gear housing, then tape splines on end of pitman shaft to insure that seals will not be cut by splines during disassembly and assembly.

**NOTE:** Only one layer of tape should be used; an excessive amount of tape will not allow the seals to pass over it, due to the close tolerance between the seals and the pitman shaft.

3. Remove pitman shaft seal retaining ring with No. 3 Truarc Pliers J-4245.

4. Start engine and turn steering wheel fully to the left so that oil pressure in the housing can force out pitman shaft seals. Turn off engine.

**NOTE:** Use suitable container to catch oil forced out of gear. This method of removing the pitman shaft seals is recommended, as it eliminates the possibility of scoring the housing while attempting to pry seals out.

5. Inspect seals for damage to rubber covering on O.D. If O.D. appears scored, inspect housing for burrs and remove before attempting new seal installation.

6. Clean the end of housing thoroughly so that dirt will not enter housing with the installation of the new seals.

7. Lubricate the seals thoroughly with petroleum jelly and install seals with Installer J-6219. Install the inner single lip seal first, then a back-up washer. Drive seal in far enough to provide clearance for the other seal, back-up washer and retaining ring. Make sure that the inner seal does not bottom on the counterbore. Install the outer double lip seal and the second back-up washer in only far enough to provide clearance for the retaining ring. Install retaining ring.

8. Fill pump reservoir to proper level. Start engine and allow engine to idle for at least three minutes without turning steering wheel. Turn wheel to left and check for leaks.

9. Remove tape and reinstall pitman arm.

### b. Removal of Power Steering Gear

1. Place fender cover over left front fender.

2. Disconnect the pressure and return line hoses at the steering gear and elevate ends of hoses higher than pump to prevent oil from draining out of pump.

3. Remove two nuts securing gear coupling lower flange to steering shaft coupling. See Figure 8-31.

4. Jack up car and remove the pitman shaft nut, then remove the

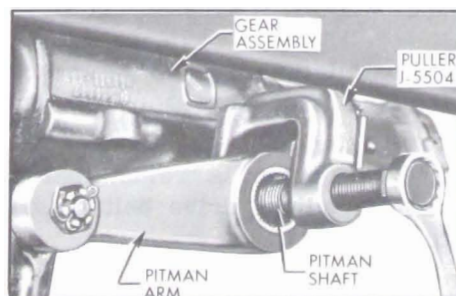


Figure 8-30—Removing Pitman Arm from Pitman Shaft

pitman arm using Puller J-5504. See Figure 8-30.

5. Loosen the three-frame-to-steering gear bolts at outside of frame and remove steering gear.

### c. Installation of Steering Gear Assembly

1. Install the gear assembly by reversing the procedure for removal. See Figure 8-31 for tightening specifications. Torque pitman nut 100-140 lb. ft. Torque lower coupling pinch bolt 20-35 lb. ft. Be sure there is 1/16" clearance between adjuster plug and coupling.

2. Fill pump reservoir to correct level with automatic transmission oil.

3. Start engine and maintain oil level in reservoir while allowing engine to idle for at least three minutes before turning steering wheel. Then rotate steering wheel through its entire range slowly a few times with engine running. Recheck oil level and inspect for possible leaks.

**NOTE:** If air becomes trapped in the oil, the oil pump may be noisy until all air is out of oil. This may take some time since air trapped in oil does not bleed out rapidly.

### d. Removal of Oil Pump

**NOTE:** It is not necessary to remove oil pump to service the flow control valve or to replace the shaft seal. The flow control valve is retained in pump housing by the pressure union. See Figure 8-23. Refer to paragraph 8-18 for replacing shaft seal without removing pump.

1. Remove pump pulley nut. See Figure 8-32. Disconnect belt from pulley and remove pulley using a suitable puller. Do not hammer pulley off.



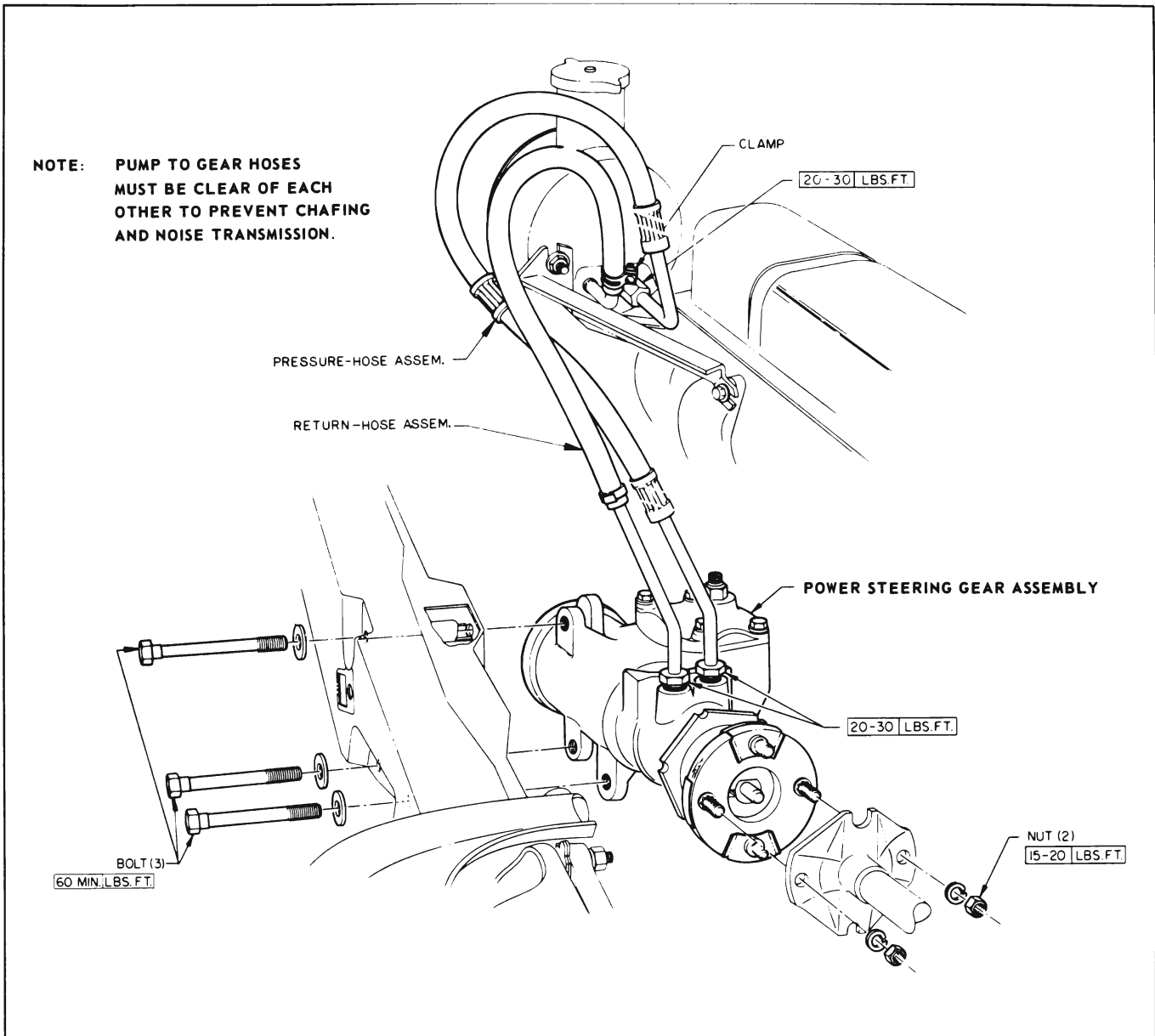


Figure 8-31—Power Steering Gear Installation

2. Disconnect return and pressure hoses from pump. Use shipping plugs and caps to cover the hose connector and union on pump and open ends of the hoses to avoid entrance of dirt.

3. Loosen nut that attach pump to rear mounting bracket.

4. Remove the two bolts that attach pump to the front mounting bracket and lift out pump.

### e. Installation and Bleeding of Oil Pump

1. Install the oil pump by reversing the procedure for removal.

2. When pump is reinstalled on engine, adjust drive belt tension to 90 pounds.

3. Fill pump reservoir to correct level with automatic transmission oil.

4. Start engine and maintain oil level in reservoir while allowing engine to idle for at least three minutes before turning steering wheel. Then rotate steering wheel through its entire range slowly a few times with engine running. Recheck oil level and inspect for possible leaks.

**NOTE:** If air becomes trapped in the oil, the oil pump may be noisy until all air is out of oil. This may take some time since air

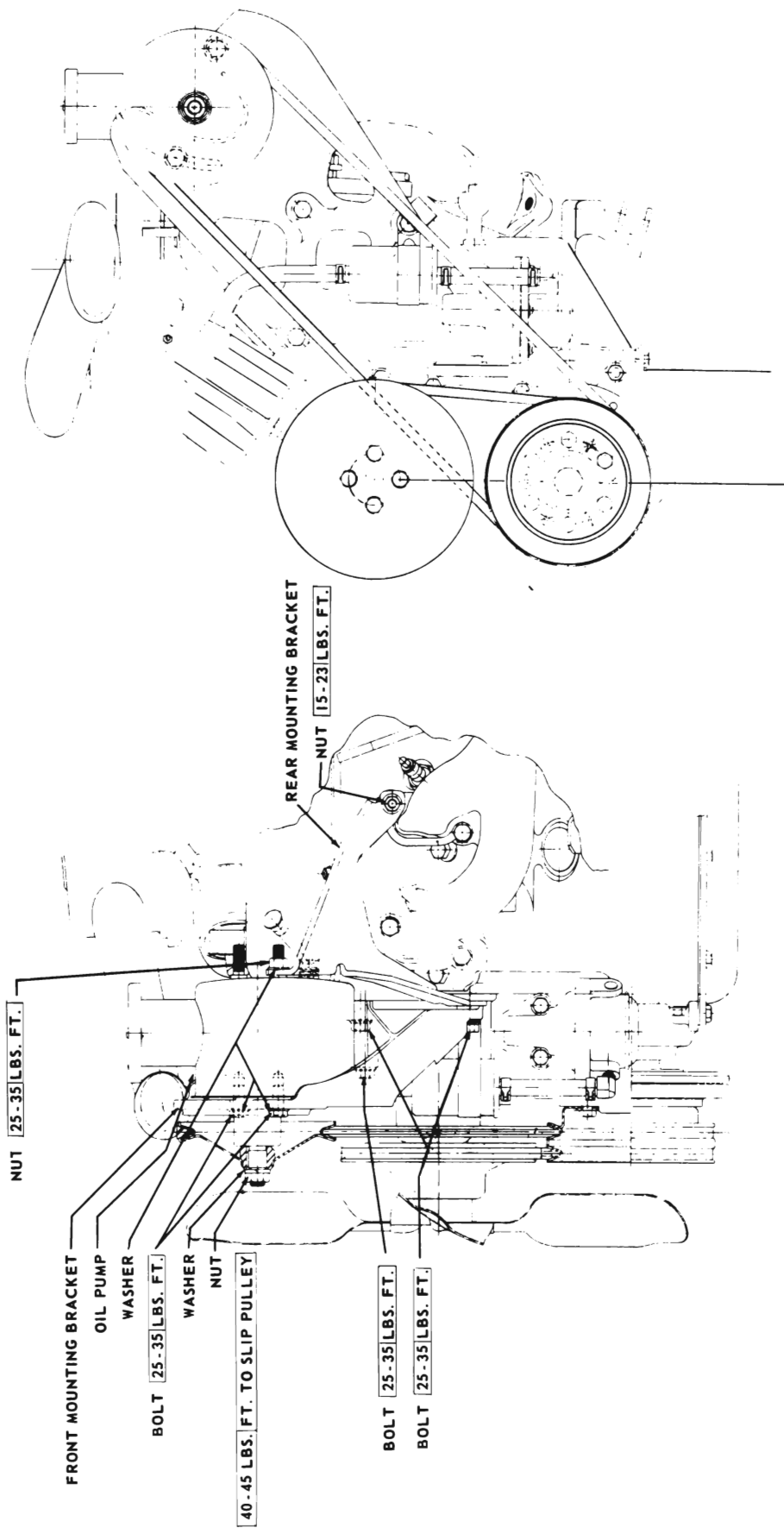


Figure 8-32—Oil Pump Installation

trapped in oil does not bleed out rapidly.

### 8-13 ADJUSTMENT OF POWER STEERING GEAR

#### a. Adjustment of Power Steering Gear in Car

IMPORTANT: Thrust bearing preload and worm to rack piston nut ball preload have little effect on handling. The most important gear adjustment affecting handling is the pitman shaft "overcenter" preload. The "overcenter" adjustment is made without removing gear from car, thus on handling complaints this adjustment should be checked and corrected and car road tested before removing gear to change thrust bearing preload or ball preload.

1. Remove pitman arm from pitman shaft. See Figure 8-30.

NOTE: Never attempt to adjust steering gear with pitman arm connected to pitman shaft.

2. Remove cap from steering wheel. See Figures 8-6 or 8-7.

3. Turn steering wheel slowly through its full travel to check for binding, tight spots or uneven action.

NOTE: If a spring scale is used to check adjustments, follow specifications listed in paragraph 8-8 (b).

4. Turn steering wheel to extreme right or left position. Attach Torque Wrench J-5853 to steering wheel retaining nut and check the torque required to turn the wheel steadily in the range where lash normally exists between rack-piston nut and pitman shaft sector. See Figure 8-4. The lash range exists for one-eighth turn of steering wheel from either extreme position.

5. The reading on the torque wrench should be between 1 and 11

inch pounds, which would indicate normal preload at the thrust bearing and drag at the valve assembly.

6. Turn steering wheel 1/2 to 3/4 of a turn off "high-point" (center position) of gear. Worm to rack ball preload is checked with gear in this position.

NOTE: It is not necessary to back off pitman shaft lash adjuster to check ball preload when gear is positioned as instructed in Step 6.

7. Check the torque required to turn the wheel. The reading should be 1 to 5 inch pounds higher than reading recorded in Step 5 which would indicate normal ball preload between worm and rack-piston nut.

NOTE: The thrust bearing preload and ball preload readings should be close to the minimum specification on a gear that has been in use. On a new gear, these readings will be greater.

8. Check torque required to turn wheel through the gear "high-point" (center position). The reading should be 4 to 8 inch pounds higher than was obtained in Step 7. Adjust pitman shaft lash adjuster if necessary.

#### b. Adjustment of Power Steering Gear Out of Car

1. This adjustment is made when the gear is completely assembled and with gear on bench.

2. Loosen adjuster plug lock nut and back off adjuster plug approximately 1/8 turn with adjustable Spanner Wrench J-7624. Attach Torque Wrench J-5853 with 3/4 inch 12 point socket to stub shaft and turn shaft to approximately 1/2 turn from either extreme. Slowly rotate wrench in an arc approximately 60° (1/6 turn) in both directions several

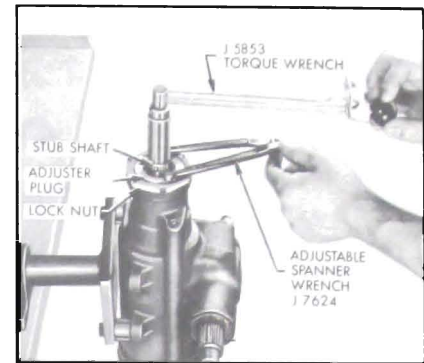


Figure 8-33—Adjusting Thrust Bearing Preload

times to measure valve drag and record highest reading. See Figure 8-33. Then tighten adjuster plug until thrust bearing preload is 1 to 3 inch pounds in excess of drag measured with adjuster plug backed out. Total of thrust bearing preload and valve drag should not exceed 11 inch pounds.

3. Turn stub shaft 1/2 to 3/4 of a turn off "high-point" (center position) of gear. Worm to rack ball preload is checked with gear in this position.

NOTE: It is not necessary to back off pitman shaft lash adjuster to check ball preload when gear is positioned as instructed in Step 4.

4. Check the pull required to turn stub shaft. The reading should be 1 to 5 inch pounds higher than total reading obtained in Step 3. If reading is not within specification it will be necessary to readjust ball preload between worm and rack-piston nut.

5. If readings are within specifications, check and adjust if necessary, pitman shaft "overcenter" adjustment. Reading on torque wrench should be 4 to 8 inch pounds higher than was obtained in Step 5. See Figure 8-34. This reading is taken when rotating stub shaft through "high-point" range with lash adjuster nut tight.

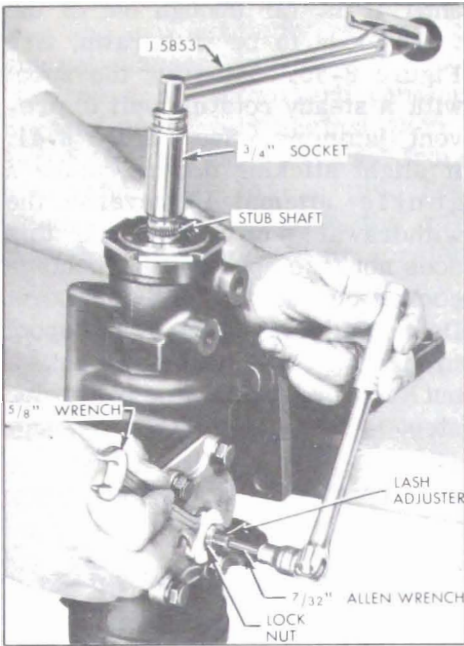


Figure 8-34—Pitman Shaft Over-Center Adjustment

### 8-14 DISASSEMBLY, INSPECTION AND ASSEMBLY OF ADJUSTER PLUG ASSEMBLY AND ROTARY VALVE ASSEMBLY

#### a. Removal of Adjuster Plug Assembly and Rotary Valve Assembly

1. Thoroughly clean exterior of gear assembly with a suitable solvent. Drain the unit by placing the valve ports down and turning the worm through its entire range two or three times.
2. Place gear assembly in vise.
3. Loosen adjuster plug lock nut with punch and remove adjuster plug using adjustable Spanner Wrench, J-7624.

4. Remove rotary valve assembly from gear by grasping stub shaft and pulling out.

**NOTE:** If it is only necessary to service the rotary valve assembly, proceed with subparagraph "d" below.

#### b. Disassembly of Adjuster Plug Assembly

1. Remove the upper thrust bearing retainer with a screwdriver, being careful not to damage the needle bearing bore. See Figure 8-35. Discard retainer. Remove thrust bearing spacer, upper thrust bearing and thrust bearing races.

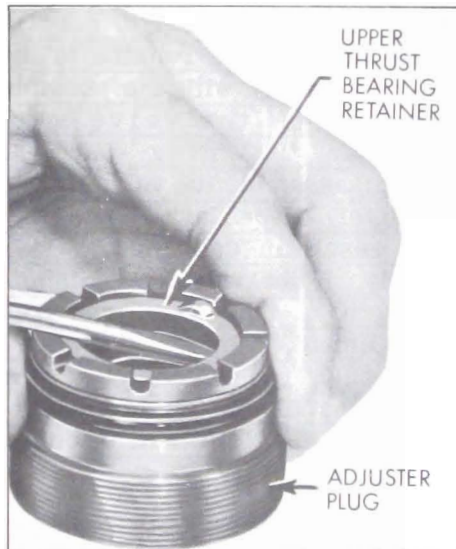


Figure 8-35—Removing Upper Thrust Bearing Retainer

2. Remove adjuster plug "O" ring and discard.
3. Remove stub shaft seal retaining ring using No. 3 Truarc Pliers J-4245 and remove and discard dust seal. See Figure 8-36.
4. Remove stub shaft seal by prying out with screwdriver and discard.
5. Inspect needle bearing in adjuster plug and if rollers are broken or pitted, remove needle

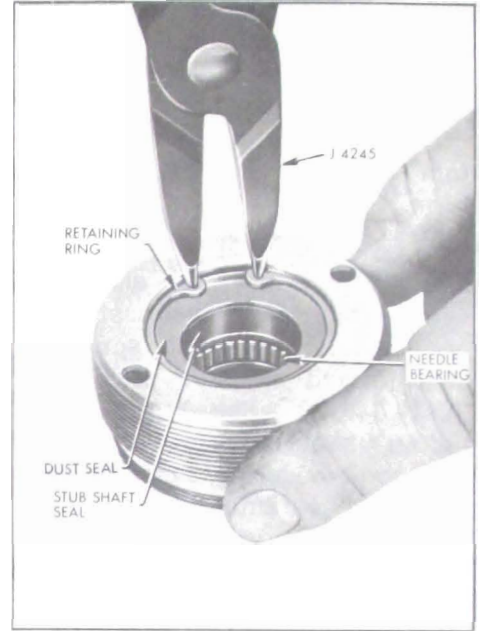


Figure 8-36—Removing Stub Shaft Seal Retaining Ring

bearing by pressing from thrust bearing end using Tool J-6221 and discard bearing. See Figure 8-37.

6. Inspect thrust bearing spacer for cracks.
7. Inspect thrust bearing rollers and thrust bearing races for wear, pitting, scoring, cracking or brinelling. Replace any damaged parts.

#### c. Reassembly of Adjuster Plug Assembly

1. If needle bearing was removed because of damage, install new

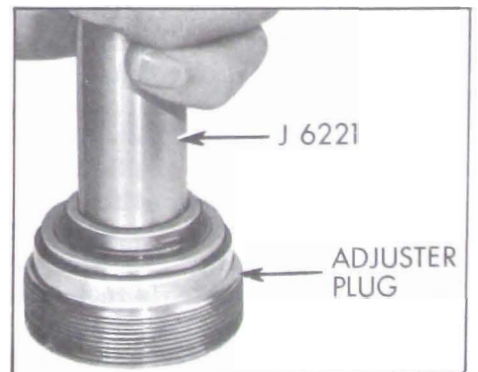


Figure 8-37—Removing Needle Bearing

needle bearing from thrust bearing end of adjuster plug, by pressing against identification end of bearing using Tool J-6221. End of bearing must be flush with bottom surface of stub shaft seal bore.

2. Lubricate new stub shaft seal with automatic transmission oil and install seal with spring in seal toward adjuster plug using Tool J-5188. See Figure 8-38. Install seal only far enough in plug to provide clearance for dust seal and retaining ring. Place new dust seal with lip up in plug, then install retaining ring with No. 3 Truarc Pliers, J-4245.



Figure 8-38—Installing Stub Shaft Seal

3. Lubricate new adjuster plug "O" ring seal with petroleum jelly and install on adjuster plug. Assemble large O.D. thrust bearing race with internal flange up on adjuster plug, then thrust bearing, smaller thrust bearing race and thrust bearing spacer on adjuster plug. Install new thrust bearing retainer into needle bearing bore using punch, being careful not to damage spacer. See Figure 8-39. Radial location of dimples on retainer is not important. Thrust bearing assembly and spacer must be free to rotate and retainer must be completely below surface of spacer.

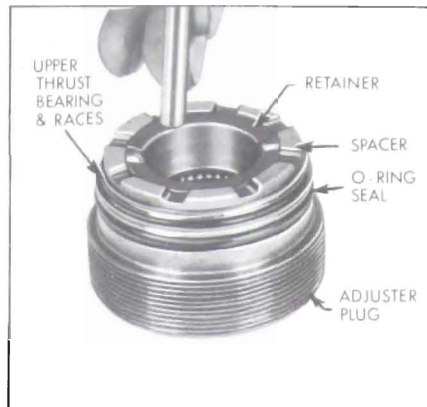


Figure 8-39—Installing Upper Thrust Bearing Retainer

#### d. Disassembly of Rotary Valve Assembly

It is very uncommon to have to make any service repairs to the valve assembly with the possible exception of the valve spool dampener "O" ring seal. **DO NOT** disassemble the valve unless absolutely necessary since this may result in damaging the assembly. If the valve spool dampener "O" ring seal requires replacement, remove the valve spool only, replace the "O" ring and reinstall the spool immediately. **DO NOT** disassemble further.

**CAUTION:** Cleanliness of parts, tools and work area is of the utmost importance during servicing of the valve assembly.

1. Remove cap to worm "O" ring seal and discard.

2. Remove valve spool spring by prying on small coil with a small screwdriver to work spring onto bearing surface of stub shaft. Slide spring off shaft. Be very careful not to damage stub shaft surface.

3. Remove the valve spool by holding the valve assembly in one hand with the stub shaft pointing downward. Insert the end of a pencil or wood rod through the opening in the valve body cap and lightly push on the valve spool

until it is far enough out of the valve body to be withdrawn. See Figure 8-40. Withdraw the spool with a steady rotating pull to prevent jamming. See Figure 8-41. If slight sticking occurs, make a gentle attempt to reverse the withdrawal procedure. If this does not free spool, it has become cocked in the valve body bore. Do not attempt to force the spool in or out if it becomes cocked, but continue with the following step.

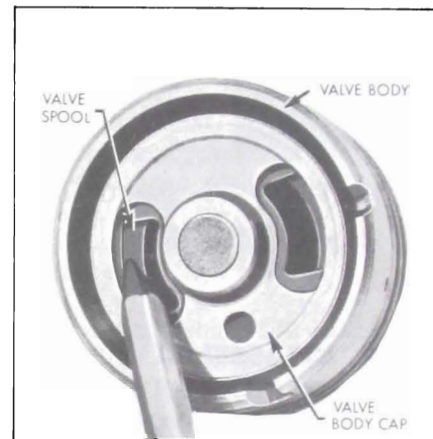


Figure 8-40—Separating Valve Spool From Valve Body

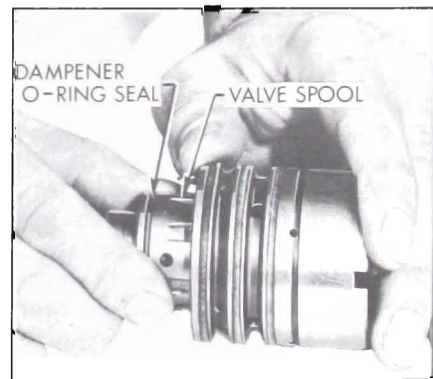


Figure 8-41—Withdrawing Valve From Valve Body

**CAUTION:** The valve spool must be removed with extreme care. The clearance between the valve body and the spool may be as low as .0004 inch. The slightest cocking of the spool may jam it in the valve body.

4. Remove the stub shaft, torsion bar and cap assembly by holding the valve assembly with stub shaft downward as shown and rapping torsion bar lightly against workbench to dislodge the cap from the valve body to cap pin. See Figure 8-42. Complete the removal of the stub shaft torsion bar and cap assembly.

5. If the valve spool became cocked as described in Step 3 above, it can now be freed by visually determining in which direction it is cocked. Tap the spool lightly with a plastic or wood rod to align it and free it in the valve body bore. Do not tap spool with anything metallic.

6. Remove valve spool dampener "O" ring seal and discard.

7. If there is evidence of wear or leakage carefully cut and remove three valve body rings and three ring back-up "O" ring seals. Discard rings and seals.

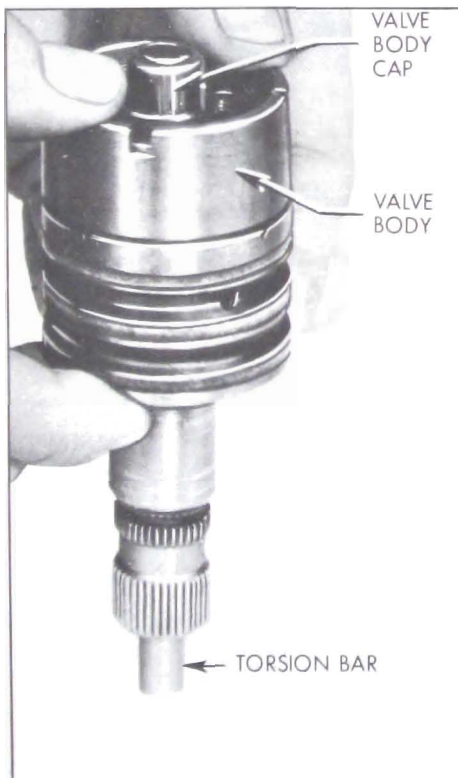


Figure 8-42—Removing Stub Shaft, Torsion Bar and Cap Assembly From Valve Body

### e. Inspection of Rotary Valve Assembly

NOTE: The rotary valve assembly is a precision unit with selectively fitted parts and is hydraulically balanced when assembled at the factory. Only those parts which are listed in parts book are replaceable and interchangeable. No other valve parts are individually interchangeable. If replacement of any non-serviceable valve part is necessary, the rotary valve assembly should be replaced.

1. If the valve assembly leaks externally between the torsion bar and stub shaft, the valve assembly should be replaced. The torsion bar "O" ring seal in the stub shaft is not serviced.

2. Inspect the pin in the valve body that engages the valve cap for being badly worn, cracked, or broken. If the pin is damaged the valve assembly should be replaced.

3. Inspect the smaller of the two grooves in the end of valve body. If it is worn badly the valve assembly should be replaced.

4. Inspect the valve spool drive pin in the stub shaft. If it is worn badly, cracked or broken the valve assembly should be replaced.

5. Examine the valve spool O.D. and the valve body I.D. for nicks, burrs or bad wear spots. If any are found, the valve assembly should be replaced. A slight polishing is normal on the valve surfaces.

6. Check the fit of the spool in the valve body. Lubricate the spool with automatic transmission oil and install it in the valve body without the dampener "O" ring seal on it. The spool should rotate smoothly without binding or catching. If spool does not rotate smoothly, the valve assembly should be replaced.

7. Measure the length of the valve spool spring. The free length should be approximately 3/4 to 7/8 inch. If it measures 11/16 inch or less, the spring should be replaced because this indicates that the spring has set.

8. Examine the needle bearing surface on the stub shaft for being badly worn, brinelled or scored. If damaged, the valve assembly should be replaced.

### f. Reassembly of Rotary Valve Assembly

CAUTION: All parts must be free and clear of dirt, chips, etc., before assembly and must be protected after assembly.

1. If removed from valve body, lubricate three new ring back-up "O" ring seals in automatic transmission oil and assemble in the three ring grooves on the valve body. Assemble three new valve body rings in the ring grooves over the "O" ring seals by carefully slipping over the valve body. See Figure 8-43.



Figure 8-43—Installing Valve Body Rings

NOTE: The valve body rings may appear loose or twisted in the grooves, but the heat of the oil during operation after assembly will cause them to straighten.

2. Lubricate a new valve dampener "O" ring seal in automatic transmission oil and install in valve spool groove.

3. Assemble the stub shaft torsion bar and cap assembly in the valve body, aligning the groove in

the valve cap with the pin in the valve body. See Figure 8-44. Tap lightly on the cap with a soft mallet until cap is against the shoulder in the valve body. Valve body pin must be in the cap groove. Hold these parts together during the rest of valve assembly.

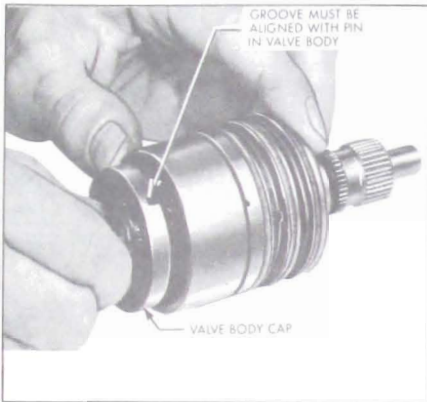


Figure 8-44—Assembling Stub Shaft, Torsion Bar and Cap Assembly in Valve Body

4. Lubricate valve spool with automatic transmission oil. With notch in spool toward valve body, slide the spool over the stub shaft. Align the notch on the valve spool with the spool drive pin on the stub shaft and carefully engage the spool in the valve body bore. Push the spool evenly and slowly with a slight rotating motion until spool reaches drive pin. Rotate spool slowly with pressure until the notch engages the pin. Before pushing the spool completely in, make sure dampener "O" ring seal is evenly distributed in the spool groove.

Complete the spool assembly slowly with care so the "O" ring seal is not damaged.

**CAUTION:** Because the clearance between the spool and valve body is very small, extreme care must be taken when assembling these parts.

5. Place Seal Protector J-6222 over stub shaft and slide valve spool spring over stub shaft with smaller diameter coil going over end of shaft last. See Figure 8-45. Work spring on shaft with a small screwdriver until small coil of spring is seated in the stub shaft groove. Be careful not to damage surface of shaft.

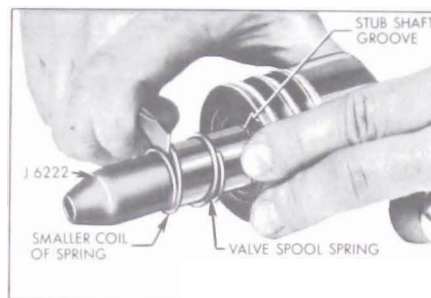


Figure 8-45—Installing Valve Spool Ring

**NOTE:** Spring must be seated properly in groove in stub shaft.

6. Lubricate a new cap to worm "O" ring seal in automatic transmission oil and install in valve body.

**NOTE:** If during the assembly of the valve, the stub shaft and valve cap were allowed to slip out of engagement with the valve body pin, the spool will be permitted to enter the valve body too far. The spool dampener "O" ring seal will expand into the valve body oil slots and will prevent withdrawal of the spool. If this has occurred, attempt to withdraw spool with a slight pull and much rotary motion. If this does not free the spool make sure spool is free to rotate and place valve body on a flat surface with notched end up. Tap spool with wooden or plastic rod until "O" ring seal is cut and spool can be removed. Install new dampener "O" ring seal and proceed with assembly as before starting with Step 2 above.

### g. Installation of Rotary Valve Assembly and Adjuster Plug Assembly

1. Align the narrow pin slot on the valve body with the valve body drive pin on the worm. Insert the valve assembly into the gear housing by pressing against the valve body with the finger tips. Do not press on stub shaft or torsion bar. See Figure 8-46. The return hole in the gear housing should be fully visible when valve is assembled properly. See Figure 8-47.

**CAUTION:** Do not push against the stub shaft during assembly as this may cause the stub shaft and cap to pull out of the valve body, allowing the spool dampener "O" ring seal to slip into valve

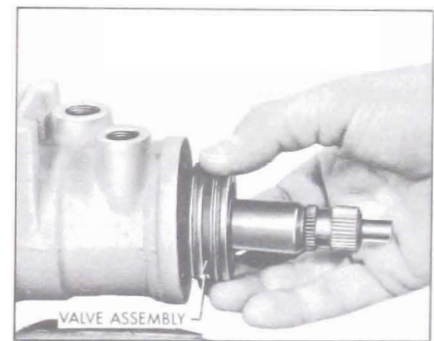


Figure 8-46—Inserting Valve Assembly in Housing

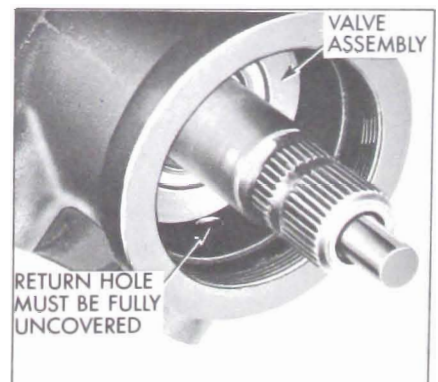


Figure 8-47—Valve Assembly Installed in Housing

body oil grooves. Be sure valve is properly seated before installing adjuster plug assembly.

2. Place Seal Protector J-6222 over end of stub shaft. Install adjuster plug assembly in gear housing snugly with adjustable Spanner Wrench J-7624 then back plug off approximately 1/8 turn. Install adjuster plug lock nut if removed, but do not tighten.

3. Adjust the thrust bearing preload. Attach Torque Wrench J-5853 with a 3/4 inch socket to the stub shaft. Turn stub shaft to approximately 1/2 turn from either extreme. Slowly rotate wrench in an arc approximately 60° (1/6 turn) in both directions several times to measure valve drag. See Figure 8-33. Then tighten adjuster plug until thrust bearing preload is 1 to 3 inch pounds in excess of valve drag measured with adjuster plug backed out. Total of thrust bearing preload and drag should not exceed 11 inch pounds.

4. Tighten adjuster plug lock nut with adjustable Spanner Wrench J-7624. Recheck thrust bearing preload to be sure that tightening lock nut did not change adjustment.

## 8-15 DISASSEMBLY, INSPECTION AND ASSEMBLY OF PITMAN SHAFT ASSEMBLY

### a. Removal of Pitman Shaft Assembly

1. Thoroughly clean exterior of gear assembly with a suitable solvent. Drain the unit by placing the valve ports down and turning the worm through its entire range two or three times.

2. Place gear assembly in vise.

3. Rotate the stub shaft until pitman shaft gear is in center position. Remove the housing side cover retaining bolts.

4. Tap the end of the pitman shaft with a soft mallet and slide shaft out of housing.

5. Remove the side cover "O" ring seal and discard.

### b. Disassembly of Pitman Shaft Assembly

1. Remove the pitman shaft seal retaining ring from end of housing using No. 3 Truarc Pliers J-4245 and remove outer seal back-up washer. Tap a screwdriver between the outer seal and the inner back-up washer and pry out seal. Tap the screwdriver between the inner seal and the shoulder in the gear housing and pry out inner seal. Be careful not to damage the seal bore in housing. Discard seals.

2. Check the pitman shaft needle bearing for wear, pitting, or scoring. If damaged, remove needle bearing from gear housing bore by driving from the seal bore side of housing using Tool J-6657. See Figure 8-48. Discard bearing.

3. Hold the lash adjuster with an Allen Wrench and remove the lash adjuster nut. Discard nut. Remove side cover from lash adjuster.

### c. Inspection of Pitman Shaft Assembly

1. Inspect pitman shaft bushing surface in side cover for excessive wear or scoring. If worn or scored, replace side cover.

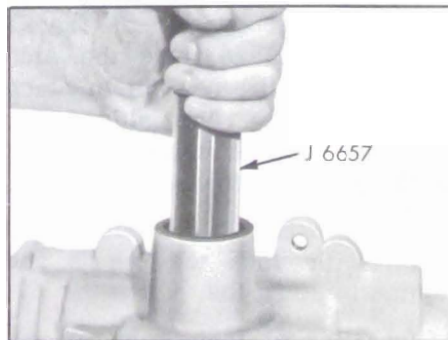


Figure 8-48—Removing Pitman Shaft Needle Bearing

2. Check the pitman shaft sector teeth and the bearing and seal surfaces. If worn, pitted or scored replace pitman shaft.

3. Check the torque on the lash adjuster. See Figure 8-49. If torque exceeds 15 inch pounds, pitman shaft assembly should be replaced.

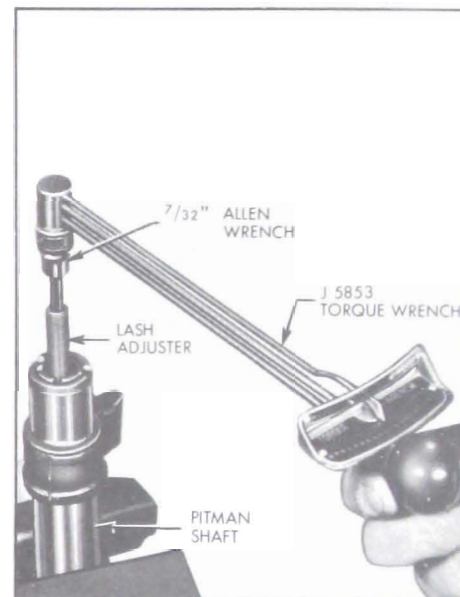


Figure 8-49—Checking Torque on Lash Adjuster

### d. Reassembly of Pitman Shaft Assembly

1. If pitman shaft needle bearing was removed because of damage, install new needle bearing into gear housing bore from seal bore end, pressing against stamped identification on bearing with Tool J-6657. Press in until bearing clears shoulder in gear housing, 1/32" maximum. Rollers in bearing must be free to rotate.

2. Lubricate new pitman shaft seals in automatic transmission oil. Install the inner, single lip seal in bore first, then a back-up washer. See Figure 8-50. Using Tool J-6219, drive the seal and washer in far enough to provide clearance for the outer seal, back-up washer and retaining ring. See Figure 8-51. The inner seal must not bottom on the



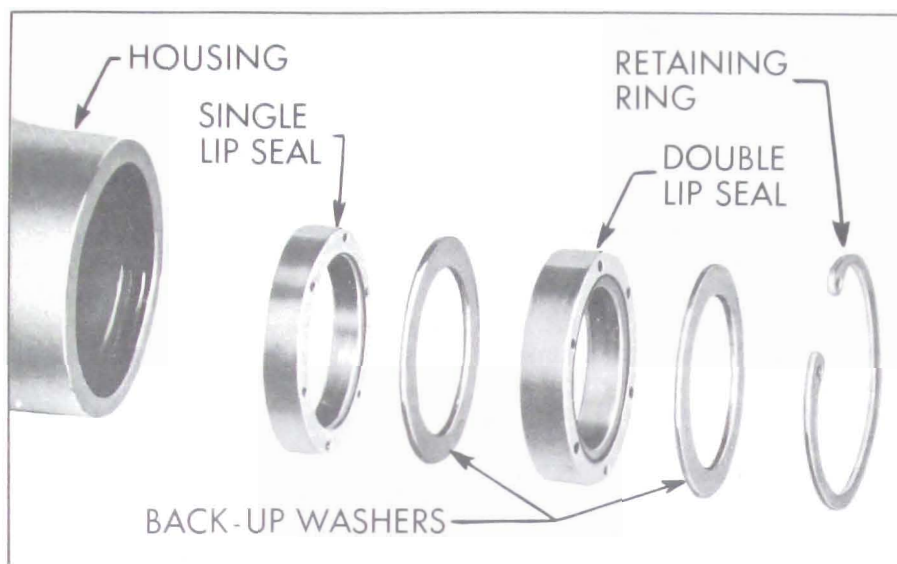


Figure 8-50—Pitman Shaft Seals

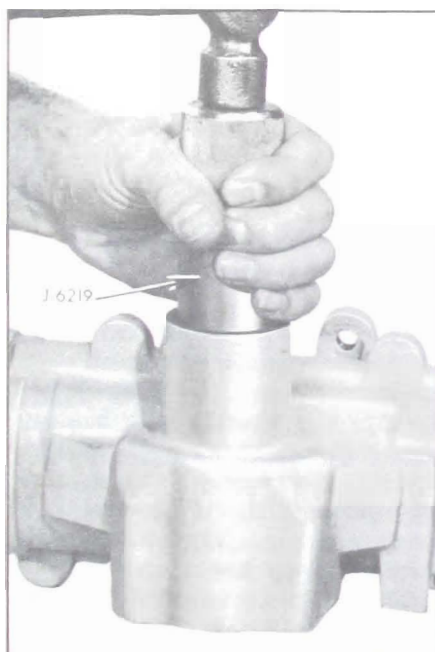


Figure 8-51—Installing Pitman Shaft Seals

counterbore. Install the outer double lip seal and the second back-up washer in bore only far enough to provide clearance for the retaining ring with Tool J-6219. Install retaining ring with No. 3 Truarc Pliers Tool J-4245, making certain that ring is seated properly.

3. Assemble the side cover on the pitman shaft. Screw the lash adjuster through the side cover until the side cover bottoms on the shaft and then back off 1/2 turn.

#### e. Installation of Pitman Shaft Assembly

1. Lubricate a new side cover "O" ring seal in automatic transmission oil and install in groove in the face of side cover.

2. Turn the stub shaft until the center groove of the rack-piston is aligned with the center of the pitman shaft hole.

3. Wrap masking tape over the end of pitman shaft. Install the pitman shaft so that the center tooth in the sector meshes with the center groove of the rack-piston nut. Make sure the side cover "O" ring seal is in place before pushing the side cover down on gear housing. Remove masking tape from end of shaft.

4. Install the four side cover bolts with lock washers and tighten to 30 ft. lbs.

5. Install new lash adjuster nut on lash adjuster, but do not tighten.

6. Adjust pitman shaft as outlined in paragraph 8-13 (b).

### 8-16 DISASSEMBLY, INSPECTION AND ASSEMBLY OF RACK-PISTON NUT AND WORM ASSEMBLY

#### a. Removal of Rack-Piston Nut and Worm Assembly

1. Thoroughly clean exterior of gear assembly with a suitable solvent. Drain the unit by placing the valve ports down and turning the worm through its entire range two or three times.

2. Remove pitman shaft assembly as outlined in paragraph 8-15 (a).

3. Rotate housing end plug retainer ring so that one end of ring is over hole in gear housing. Spring one end of ring with punch to allow screwdriver to be inserted to lift ring out. See Figure 8-52.

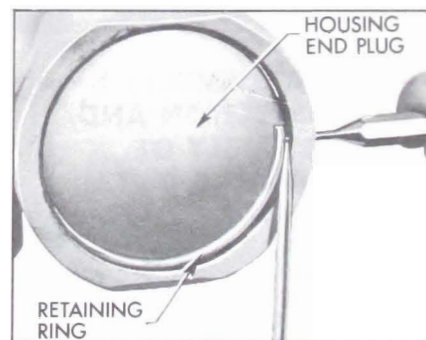


Figure 8-52—Removing Housing End Plug Retaining Ring

4. Rotate stub shaft to full left turn position to force end plug out of housing.

**CAUTION:** Do not rotate farther than necessary or the balls from the rack-piston and worm assembly will fall out.

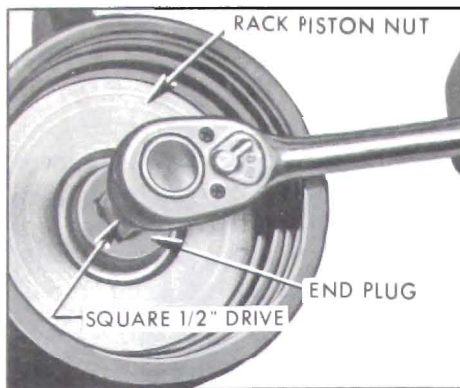


Figure 8-53—Removing Rack-Piston Nut End Plug

5. Remove and discard housing end plug "O" ring seal.
6. Remove rack-piston nut end plug with a 1/2 square drive. See Figure 8-53.

7. Insert Ball Retaining Tool J-7539 in end of worm. See Figure 8-54. Turn stub shaft so that rack-piston nut will go onto the tool and remove rack-piston nut from gear housing. Keep ball retaining tool completely through rack-piston nut to prevent balls from falling out.

**NOTE:** Do not remove snap ring in upper end of piston bore in housing.

8. Remove adjuster plug assembly and rotary valve assembly as outlined in paragraph 8-14 (a).
9. Remove worm and lower thrust bearing and races.
10. Remove cap to worm "O" ring seal and discard.

**b. Disassembly of Rack-Piston Nut and Worm Assembly**

1. Remove and discard piston ring and back-up "O" ring on rack-piston nut.
2. Remove ball return guide clamp to rackpiston nut screws and lock washers and remove clamp.
3. Place the rack-piston nut on a clean cloth and remove ball return guide and ball retaining tool. Make sure all 22 balls are caught on the cloth.

**c. Inspection of Rack-Piston Nut and Worm Assembly**

1. Inspect gear housing bore. If badly scored or worn, replace housing.
2. Inspect the worm and rack-piston nut grooves and all the

balls for excessive wear or scoring. Inspect rack-piston nut teeth for pitting, wear or scoring. Inspect O.D. of rack-piston nut for wear, scoring or burrs. If either the worm or rack-piston nut need replacing, both must be replaced as a matched assembly.

3. Inspect ball return guides, making sure that the ends where the balls enter and leave the guides are not damaged. Replace if necessary.

4. Inspect lower thrust bearing and races for wear, pitting, scoring or cracking. Replace any damaged parts.

5. Inspect the hose connectors on gear housing. If badly brinelled or scored, replacement will be necessary. To remove the connectors, tap threads using 5/16-18 tap. Thread a bolt with a nut and flat washer into the tapped hole. Pull the connector by holding the bolt and turning the nut off the bolt. Wash and blow the housing out thoroughly to remove any tapping chips. To install new connector, use Replacer J-6217 to drive connector in place.

6. Check the operation of check valve poppet located under connector in pressure port of housing. Poppet should reseat itself against connector after being lightly pushed down. If poppet is not operating properly, remove connector, poppet and spring from pressure port. Then install a new spring with large end down, a new poppet with tangs pointed down. Install a new connector using Installer J-6217. Be sure new poppet operates properly.

7. Inspect the ball plug in gear housing. If it is leaking or raised above the housing surface, it may be driven in flush to 1/16 inch below surface. The ball can be tightened by staking the housing. If the leakage cannot be stopped, the housing should be replaced.

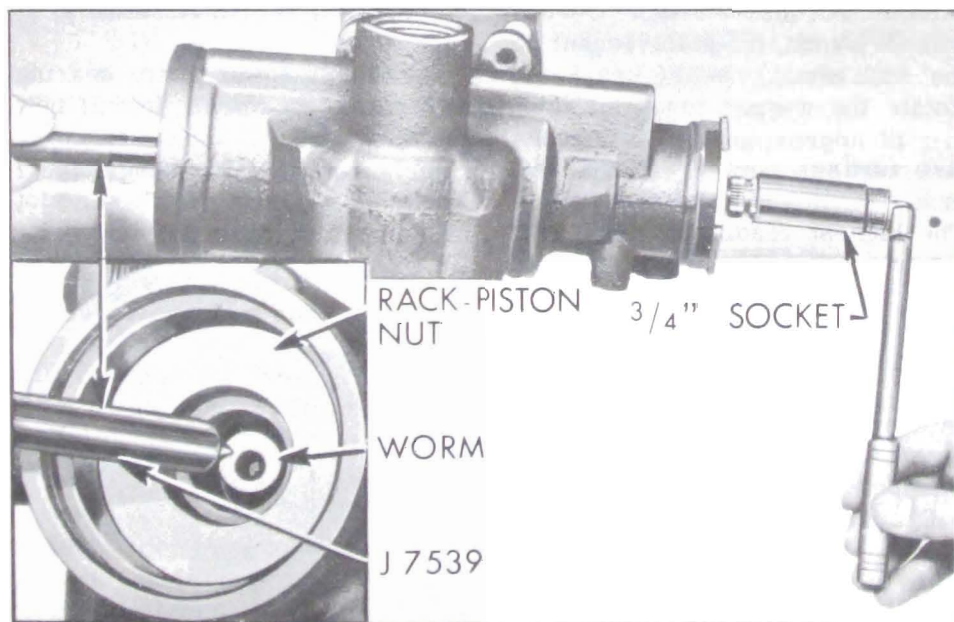


Figure 8-54—Removing Rack-Piston Nut

#### d. Reassembly of Rack-Piston Nut and Worm Assembly

1. Thoroughly clean and lubricate the internal parts with automatic transmission oil.
2. Install new piston ring back-up "O" ring in groove on rack-piston nut. Place a new piston ring over the back-up "O" ring. See Figure 8-55.

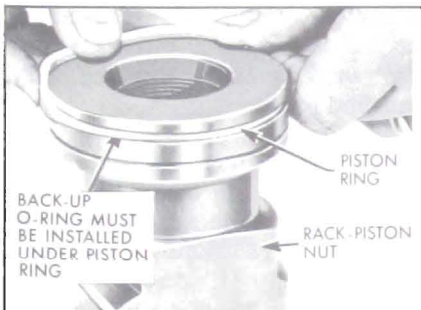


Figure 8-55—Installing Rack-Piston Ring and on Rack-Piston Nut

3. Install worm into rack-piston nut to bearing shoulder.
4. Align the ball return guide holes in the rack-piston nut with the worm groove. Load 16 balls, 8 plain and 8 black in alternate sequence into the guide hole nearest the piston ring while slowly rotating worm counterclockwise. See Figure 8-56.

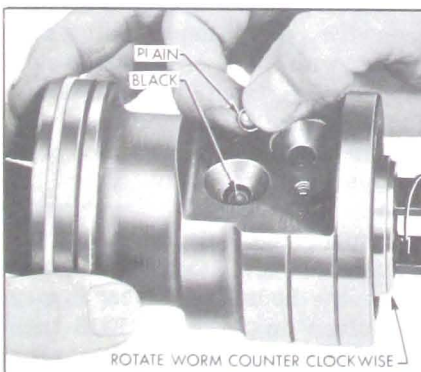


Figure 8-56—Loading Balls in Rack-Piston Nut

5. Fill one-half the ball return guide with the remaining 6 balls, 3 plain and 3 black balls in alternate sequence. Place the other half of guide over the balls and plug each end with heavy grease to prevent the balls from falling out when installing the guide to the rack-piston nut.

6. Insert ball return guide into guide holes of the rack-piston nut so that balls in the guide alternate with the balls in the rack-piston nut. Guide should fit loosely.

7. Place clamp over guide and install 2 screws with special lock washers and tighten.

8. The worm groove is ground with a high point in the center. When the rack-piston nut passes over this high point, a preload of 1 to 5 inch pounds should be obtained. To measure the preload of the assembly, lightly clamp rack-piston nut in a soft jaw vise with worm pointing up. Do not distort rack-piston nut by tightening too heavily. Place valve assembly on worm, engaging worm drive pin. Rotate the worm until it extends 1-1/4 inches from the edge of rack-piston nut to the thrust bearing face of worm; this is the center position. Attach Torque Wrench J-5853 with 3/4 inch, 12 point socket to the stub shaft. See Figure 8-57. Rotate the wrench through a total arc of approximately 60 degrees (1/6 turn) in both directions several times and take a reading. The highest reading obtained with the worm rotating should be from 1 to 5 inch pounds. If the reading is too high, disassemble and reassemble, using the next size smaller plain balls and recheck. (A rack-piston nut with a ball size of 7 does not have a number stamped on the flat surface. For ball sizes other than 7, the ball size is stamped on the flat surface of the rack-piston nut.) If the reading is too small, use the next size larger plain balls and recheck. See paragraph 8-8, sub-

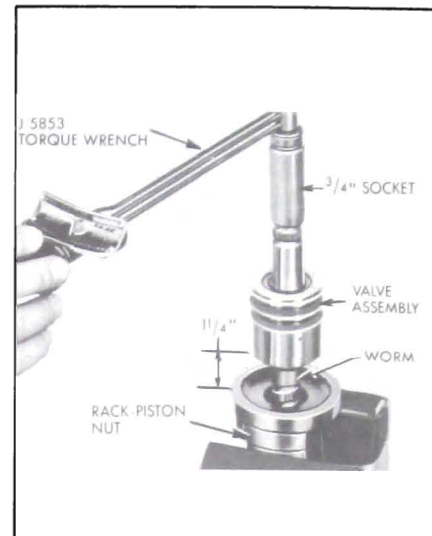


Figure 8-57—Checking Rack-Piston Nut Ball Preload

paragraph b for ball size. Remove valve assembly from worm.

9. Turn the rack-piston nut and worm assembly to a horizontal position in the vise and insert ball retaining Tool J-7539 in end of worm and turn worm out of the rack-piston nut. Do not allow the tool to separate from the worm until worm is fully removed from rack-piston nut.

#### e. Installation of Rack-Piston Nut and Worm Assembly

1. Assemble lower thrust bearing and races on worm. Install new cap to worm "O" ring seal. Assemble rotary valve assembly to worm by aligning narrow pin slot in valve body with pin on worm.
2. Insert the valve assembly and worm in gear housing as an integral unit. Do not press on stub shaft or torsion bar. See Figure 8-46. Return hole in housing should be fully visible when valve and worm are properly installed. See Figure 8-47.
3. Place Seal Protector J-6222 over end of stub shaft. Install adjuster plug assembly in gear housing snugly with adjustable Spanner Wrench J-7624 then back

plug off approximately 1/8 turn. Install adjuster plug lock nut if removed, but do not tighten.

4. Adjust the thrust bearing preload. Using Torque Wrench J-5853, rotate stub shaft to measure valve assembly drag. See Figure 8-33. Then tighten adjuster plug to obtain a reading 1 to 3 inch lbs. in excess of valve drag.

**NOTE:** Total of thrust bearing preload and valve drag should not exceed 11 inch lbs.

5. Tighten adjuster plug lock nut. Recheck thrust bearing preload to be sure that tightening lock nut did not change adjustment.

6. Install ring compressor sleeve Tool J-8947 in gear housing and hold it tightly against shoulder in the housing. See Figure 8-58. Insert the rack-piston nut into the housing until the ball retaining Tool J-7539 engages the worm. Turn the stub shaft drawing the rack-piston nut into the housing. When the piston ring is into the housing bore, the ball retaining tool and ring compressor may be removed.

7. Install rack-piston end plug using 1/2 square drive. Torque plug to 50 ft. lbs. See Figure 8-59.

8. Lubricate housing end plug "O" ring seal with automatic transmission oil and install in gear housing.



Figure 8-58—Installing Rack-Piston Nut

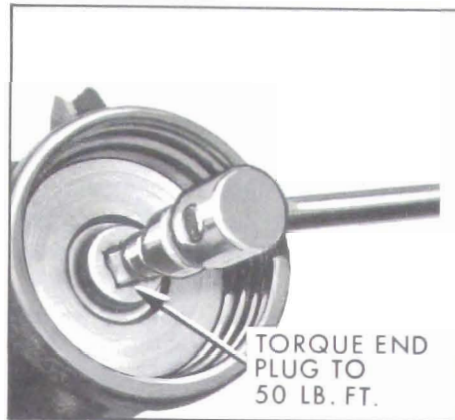


Figure 8-59—Torquing Rack-Piston Nut End Plug

9. Insert end plug into gear housing and seat against "O" ring seal. Slight tapping with a soft mallet may be necessary to seat plug properly. Install end plug retainer ring.

10. Install pitman shaft assembly as outlined in paragraph 8-15, subparagraph e, Steps 1 through 5.

11. Turn lash adjuster counter-clockwise a few turns and obtain a reading with Torque Wrench J-5853 while rotating stub shaft through "high point" range. Adjust lash adjuster to obtain a reading 4 to 8 in. lbs. higher than first reading.

## 8-17 DISASSEMBLY, INSPECTION AND ASSEMBLY OF OIL PUMP

**NOTE:** Refer to paragraph 8-12 for removal and installation of oil pump.

### a. Disassembly of Oil Pump

1. Use shipping caps to cover the hose union and pipe on pump and thoroughly clean exterior of pump.

2. Remove pump pulley key from pump shaft.

3. Remove reservoir cap and drain out oil in pump reservoir.

4. Install pump in a soft jaw vise with pump shaft pointing down.

Do not clamp pump too tightly in vise as this may distort bushing.

5. Remove two reservoir to pump housing studs and "O" rings. Discard the "O" rings.

6. Remove pressure union. Remove "O" ring from union and discard "O" ring.

7. Remove reservoir from housing by rocking back and forth while pulling upward. Remove reservoir "O" ring seal on housing and discard. Remove small reservoir to housing "O" ring seal from counterbore in housing and discard.

8. Rotate end plate retaining ring until one end of ring is over hole in housing. Spring one end of ring with 1/8" punch to allow screwdriver to be inserted and lift ring out. See Figure 8-61.

9. Remove pump from vise and remove end plate, two pressure plate springs, flow control valve and spring by turning pump over. If end plate should stick in housing, lightly tap it to align and free it.

**NOTE:** Do not disassemble flow control valve.

10. Remove and discard end plate "O" ring seal.

11. Place shaft end on bench and press down on housing until shaft is free. Turn housing over and remove shaft and rotor assembly, being careful not to drop parts. If the two dowel pins did not come out with assembly, remove dowel pins from housing.

12. Remove and discard pressure plate "O" ring seal.

13. Remove shaft seal, if defective, by prying out with small screwdriver.

### b. Inspection of Oil Pump Parts

Clean all parts thoroughly with solvent and wipe dry with clean, lint-free cloth before inspecting.



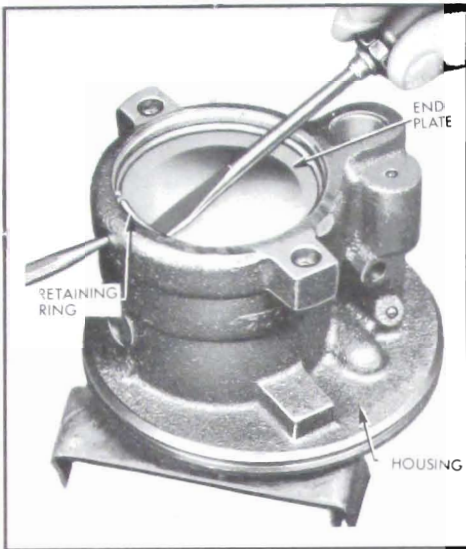


Figure 8-61—Removing End Plate Retaining Ring

1. Inspect shaft for wear.
2. Check fit of the ten vanes in slots of rotor; vanes must slide freely but fit snugly in slots. Tightness may be removed by thorough cleaning or removal of irregularities using a hard Arkansas stone. Replace rotor if excessive looseness exists between rotor and vanes and replace vanes if they are irregularly worn or scored. Light scoring on the rotor can be repaired by carefully lapping surface of rotor.
3. Inspect all ground surfaces of the rotor ring for roughness or irregular wear. Slight irregularities may be removed with a hard Arkansas stone. Replace ring if inside cam surface is badly scored or worn and inspect outside radius of vanes very closely for damage.
4. Inspect the surfaces of the pressure plate and thrust plate for wear or scoring. Light scoring can be repaired by carefully lapping until surface is smooth and flat, after which all lapping compound must be thoroughly washed away.
5. Inspect the flow control valve bore in the housing for scoring, burrs or other damage. Hair line scratches are normal. Inspect

bushing in housing, if worn or scored, replace housing.

6. Inspect the surfaces of the flow control valve for scores and burrs. Hair line scratches are normal. Replace valve if badly scored or if it is the cause of low pump pressure. Check the screw in the end of the valve, if loose, tighten being careful not to damage machined surfaces. Filter in end of screw must be clean.

7. Check orifice in pressure union to be sure it is not plugged.

**c. Assembly of Oil Pump**

1. Make sure all parts are absolutely clean. Lubricate seals and moving parts with automatic transmission oil during assembly.

2. If shaft seal was removed, use Installer J-7017 to drive new seal into housing with spring side of seal toward housing. See Figure 8-62. Just bottom seal in housing.

3. Mount housing in vise with shaft end down. Install new pressure plate "O" ring seal in groove in housing bore. This seal is smaller than the end plate "O" ring seal and it has a daub of paint on it for identification.

4. Insert shaft into housing and press down with thumb on splined

end to properly seat shaft. Be careful not to damage shaft seal in housing.

5. Install the two dowel pins in housing and install thrust plate on the pins with ported face of plate to rear of housing.

6. Install pump ring with small holes in ring on dowel pins and with arrow on outer edge to rear of housing.

7. Install rotor on pump shaft with alignment sleeve toward front of housing. Rotor must be free on shaft splines.

8. Install ten vanes in rotor slots with radius edge toward outside and flat edge toward center of rotor.

9. Lubricate the outside diameter and chamfer of pressure plate with petroleum jelly and install on dowel pins with ported face toward pump ring. Dowel pins fit into slots in plate that are nearest outside diameter of plate. Use a soft plastic or wood rod and lightly tap around outside diameter of pressure plate to seat it. See Figure 8-63. Pressure plate will travel about 1/16" to seat. Never press or hammer on the center of pressure plate as this will cause permanent distortion and result in pump failure.

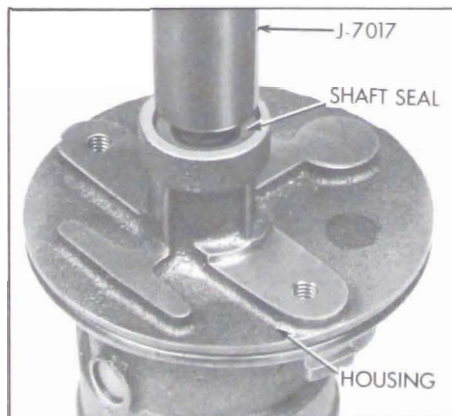


Figure 8-62—Installing Shaft Seal

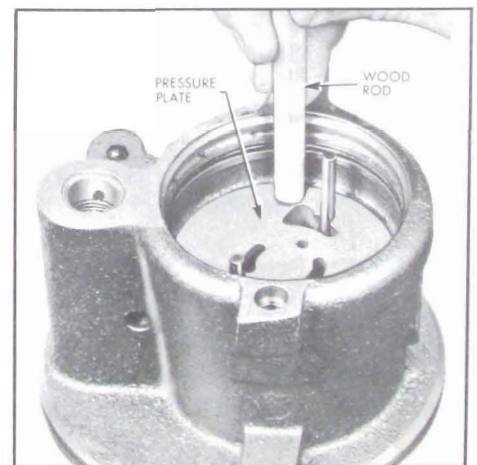


Figure 8-63—Seating Pressure Plate in Housing

10. Install new end plate "O" ring seal in groove in bore of housing. Be sure not to install it in end plate retaining ring groove which is first groove from rear of housing.

11. Install the two pressure plate springs on the dowel pins.

12. Lubricate outside diameter and chamfer of end plate with petroleum jelly and insert in housing.

13. Place end plate retaining ring on top of end plate. Lay a 1/4" spacer on center of end plate, then position Installer J-7663 on end plate so that the depression on it is against the spacer. See Figure 8-64. Attach installer to housing studs with long end of studs threading in housing. Press end plate down by tightening studs until ring groove in housing is evenly exposed. Install retaining ring. Be sure ring is completely seated in housing groove and end plate is aligned properly. Remove studs.

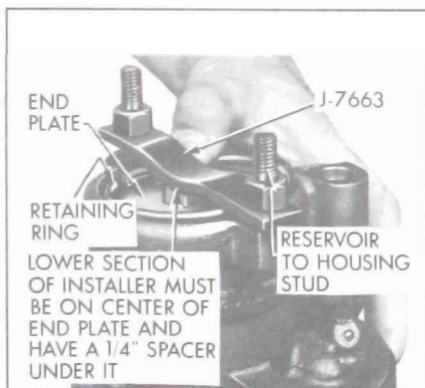


Figure 8-64—Installing Housing End Plate

**CAUTION:** Press end plate into housing only far enough to install retaining ring in groove.

14. Install new reservoir "O" ring seal on housing. Place a new

small reservoir in housing "O" ring seal in counterbore in housing.

15. Install reservoir on housing and line up holes for studs. Tap reservoir with a soft mallet to seat it on housing and install reservoir to housing studs with new "O" ring seals. Torque studs 25-35 lb. ft.

16. Install flow control spring in housing. Then install flow control valve with screw head of valve going in housing first.

17. Assemble new "O" ring in groove nearest outlet end of pressure union. Install union in pump and torque 25-35 lb. ft.

**CAUTION:** If "O" ring is installed in groove on pressure union that contains the flow orifice, pump will not build-up pressure.

18. Remove pump from vise and install shaft key on shaft. Support shaft on opposite side while installing key.

19. Check for bind in pump by rotating drive shaft. Shaft must rotate freely by hand.

## 8-18 REMOVAL AND INSTALLATION OF OIL PUMP SHAFT SEAL WITH PUMP NOT REMOVED

### a. Removal

1. Remove pump pulley nut.
2. Remove pump drive belt from pulley.
3. Remove pulley from pump using a suitable puller. Do not hammer pulley off shaft.
4. Remove pulley drive key from shaft.
5. Insert a piece of .005" shim stock (approximately 2-1/2" long) around shaft and push it past seal

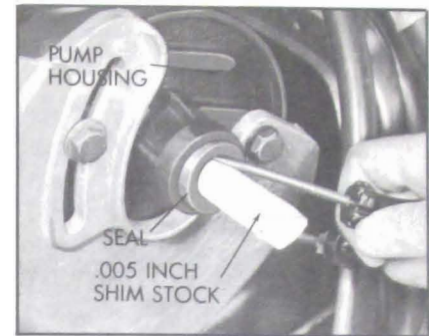


Figure 8-65—Removing Oil Pump Shaft Seal

until it bottoms in pump housing. See Figure 8-65.

6. Remove seal by cutting metal body of seal with a sharp tool and prying out. See Figure 8-65. Extreme care must be used to prevent damage to shaft and pump housing.

### b. Installation

1. Place Seal Protector J-7586 over shaft. Lubricate new seal with automatic transmission oil and drive in pump housing spring side first with Installer J-7728. See Figure 8-66. Just bottom seal in housing. Excessive force must not be used when driving seal in place.
2. Install pulley drive key in shaft.
3. Install pulley and drive belt. Adjust belt tension to 90 pounds.
4. Fill pump reservoir to proper level with automatic transmission oil and bleed pump as instructed in paragraph 8-12, subparagraph e.
5. Install fan guard.

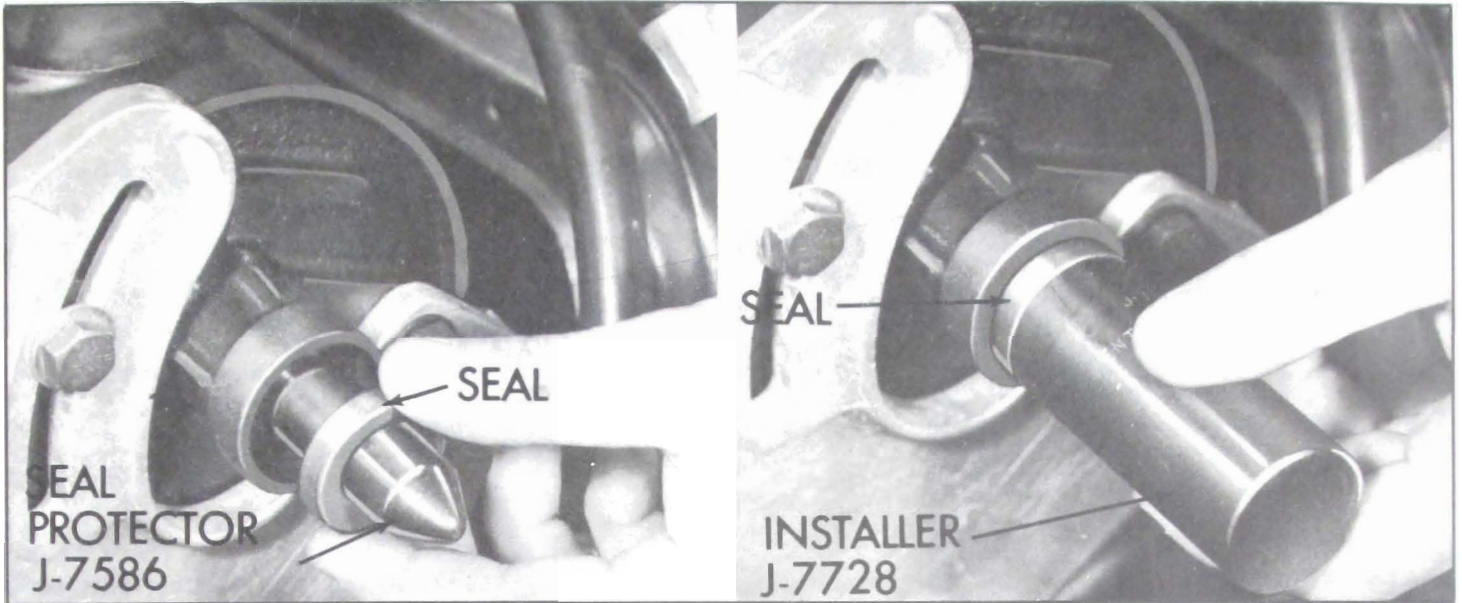


Figure 8-66—Installing Oil Pump Shaft Seal

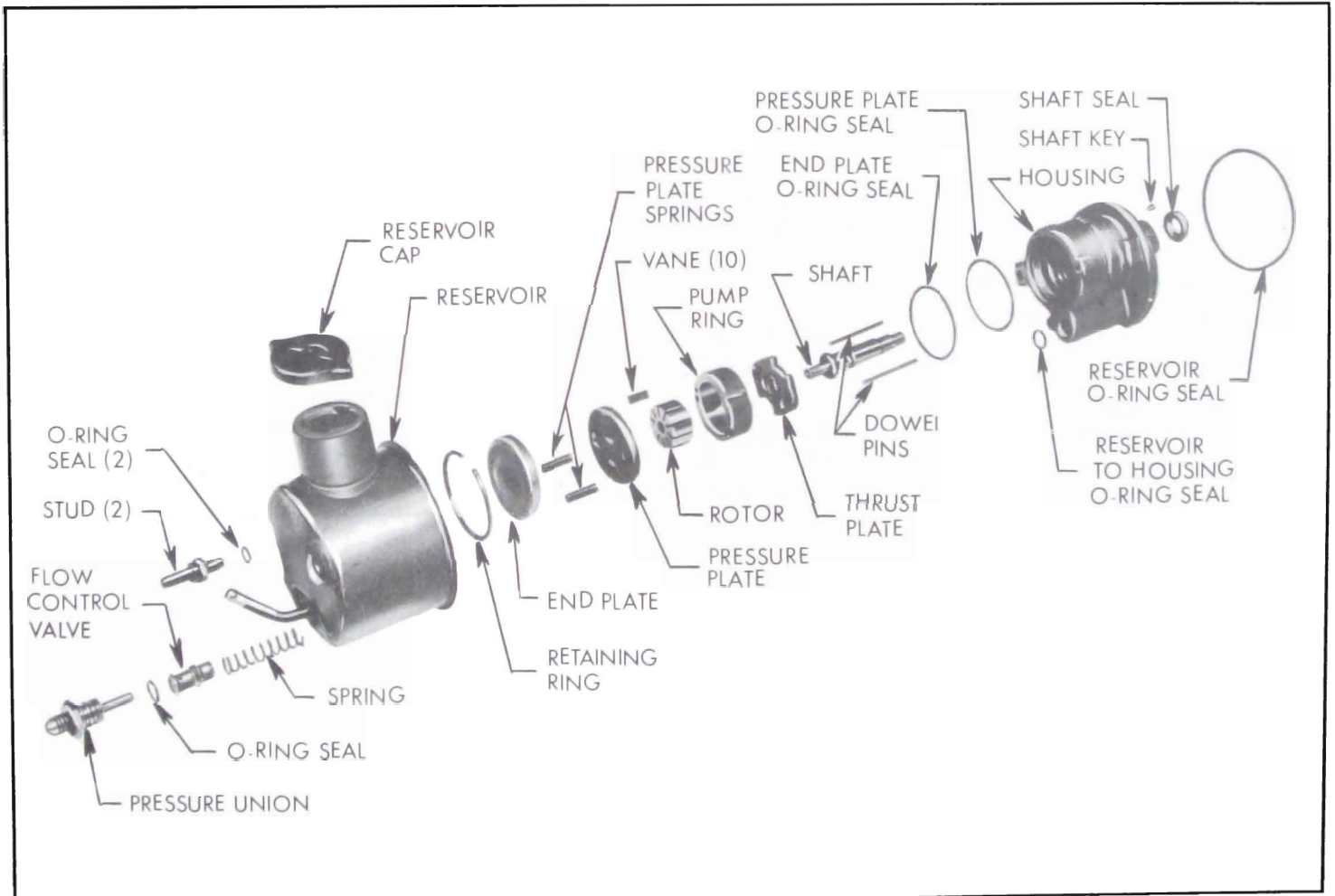


Figure 8-67—Oil Pump (Exploded View)