

**SECTION 11-F**  
**TACHOMETER, FOUR NOTE HORN, VACUUM TRUNK RELEASE**  
**REAR WINDOW DEFROSTER INSTALLATIONS**  
**AND REMOTE CONTROL OUTSIDE MIRROR**

**CONTENTS OF SECTION 11-F**

Paragraph	Subject	Page
11-25	Servicing Accessories . . . . .	11-149

**11-25 SERVICING ACCESSORIES**

The following accessories pictured herein are provided as optional equipment on the 1964 Buick 4400, 4600, 4700 and 4800 Series cars. The servicing, such as removal and installation of the accessory components will be obvious when viewing the installation illustrations contained on the following pages.



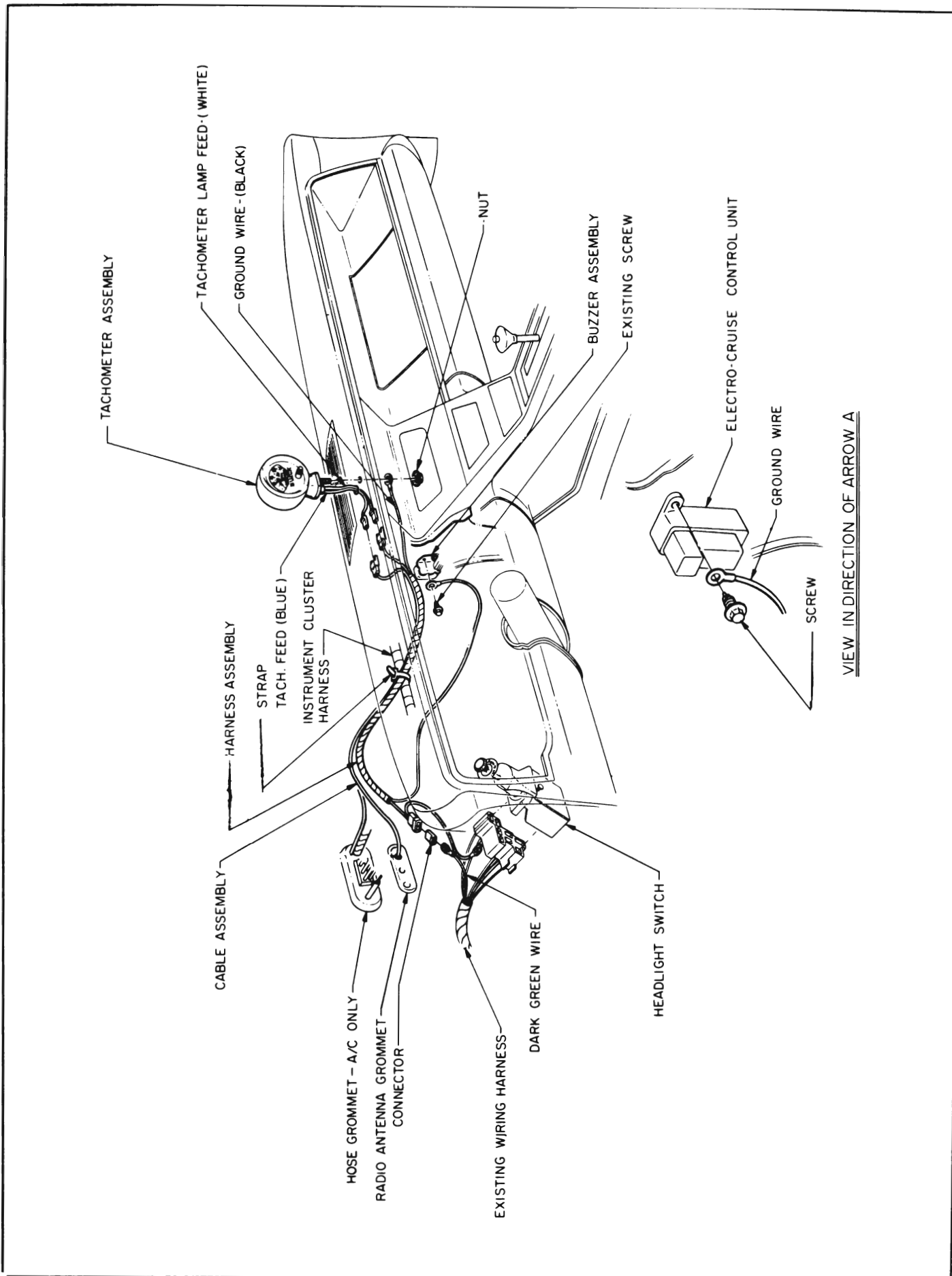


Figure 11-185—Tachometer Installation—4700 Series

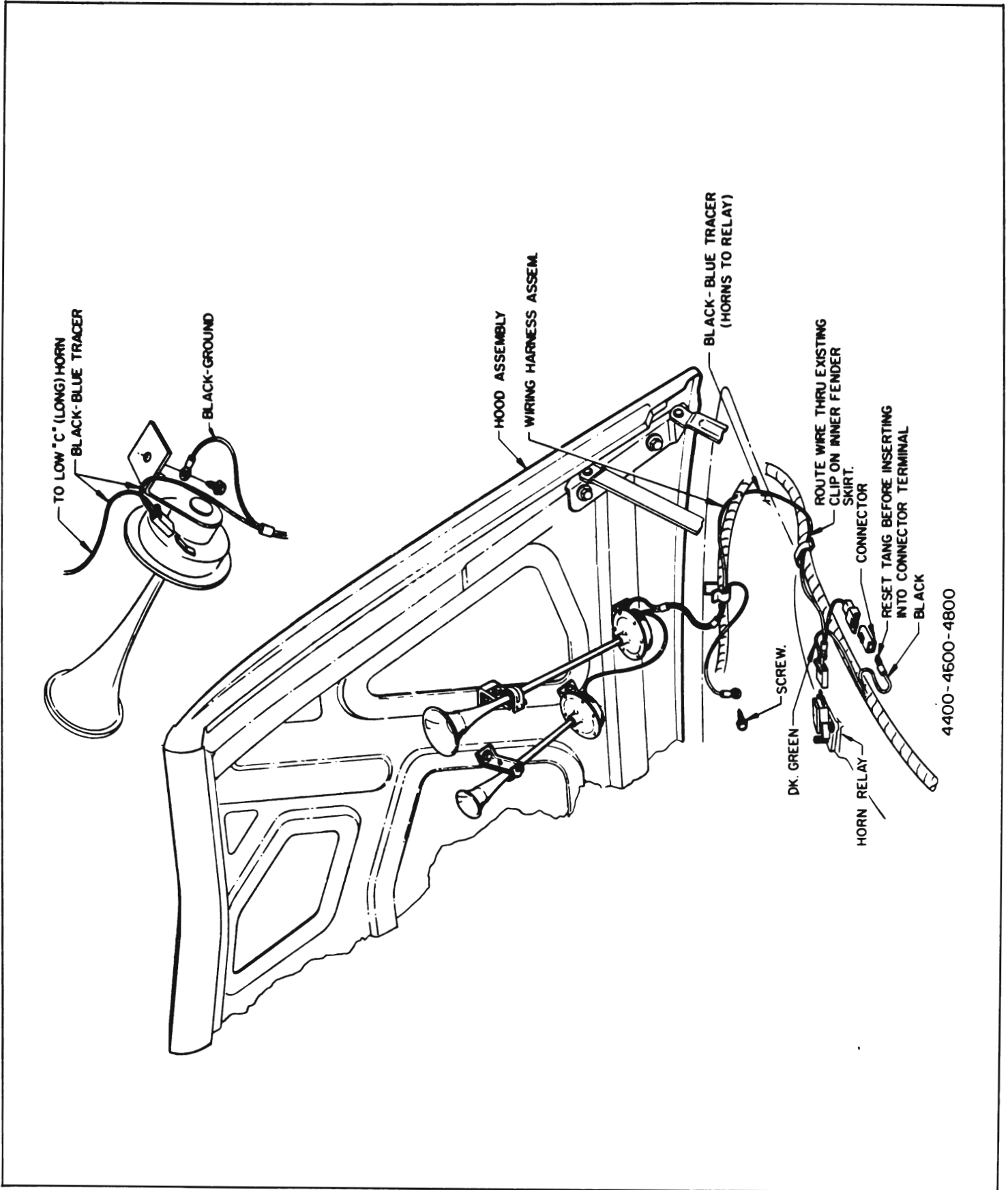


Figure 11-186—Four Note Horn Installation—4400, 4600 and 4800 Series

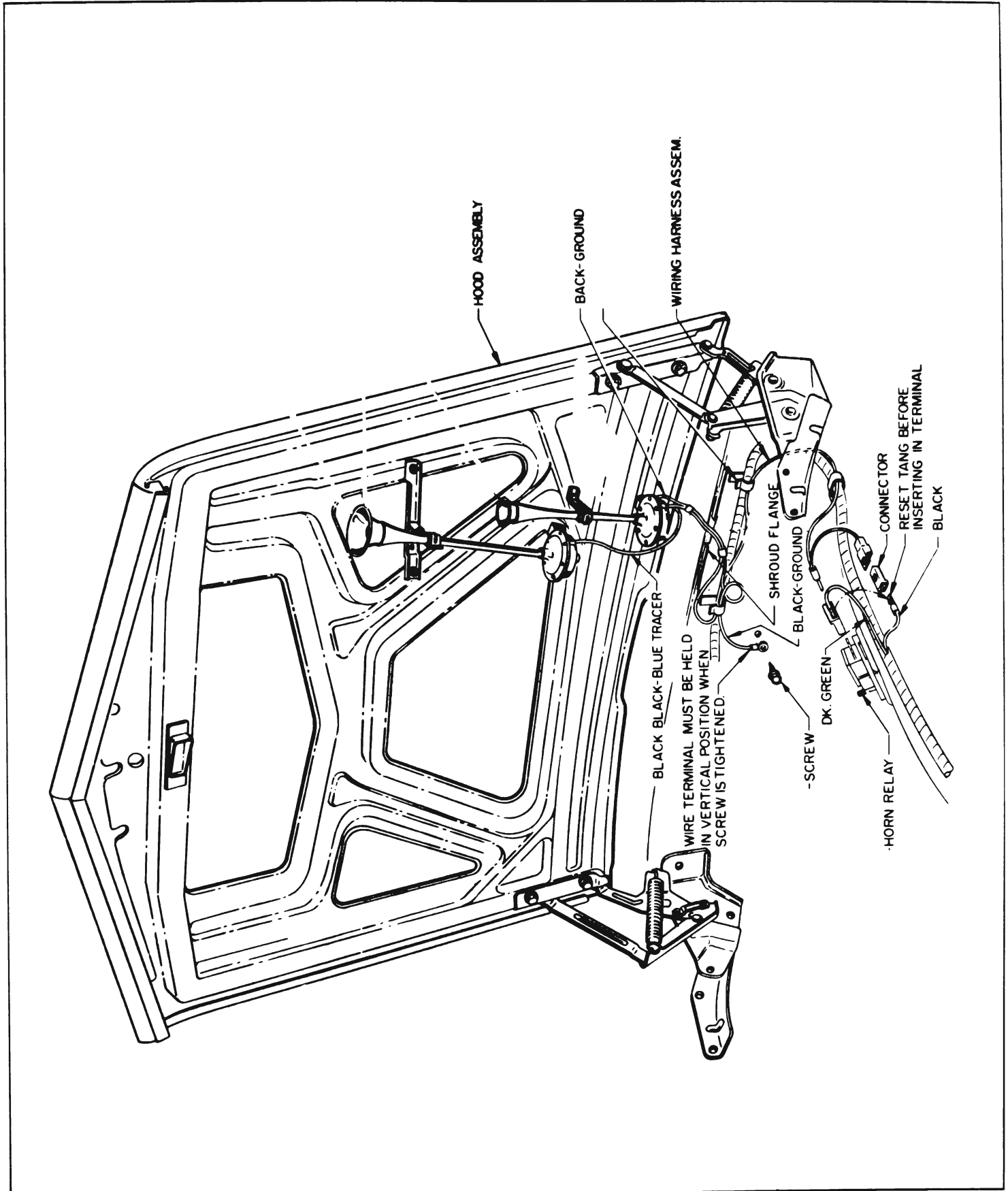


Figure 11-187—Four Note Horn Installation—4700 Series

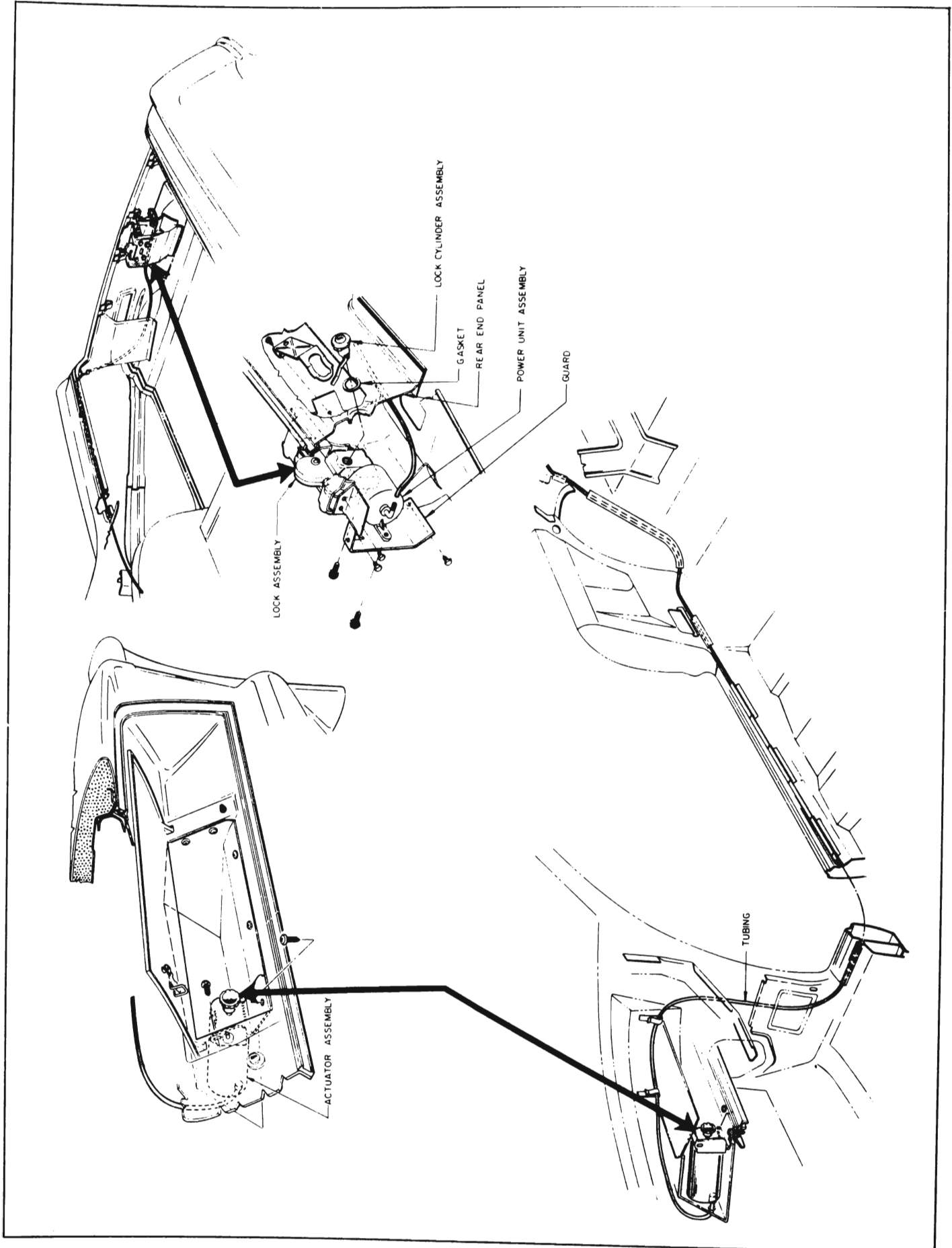


Figure 11-188—Vacuum Trunk Release Installation—4400, 4600, and 4800 Series

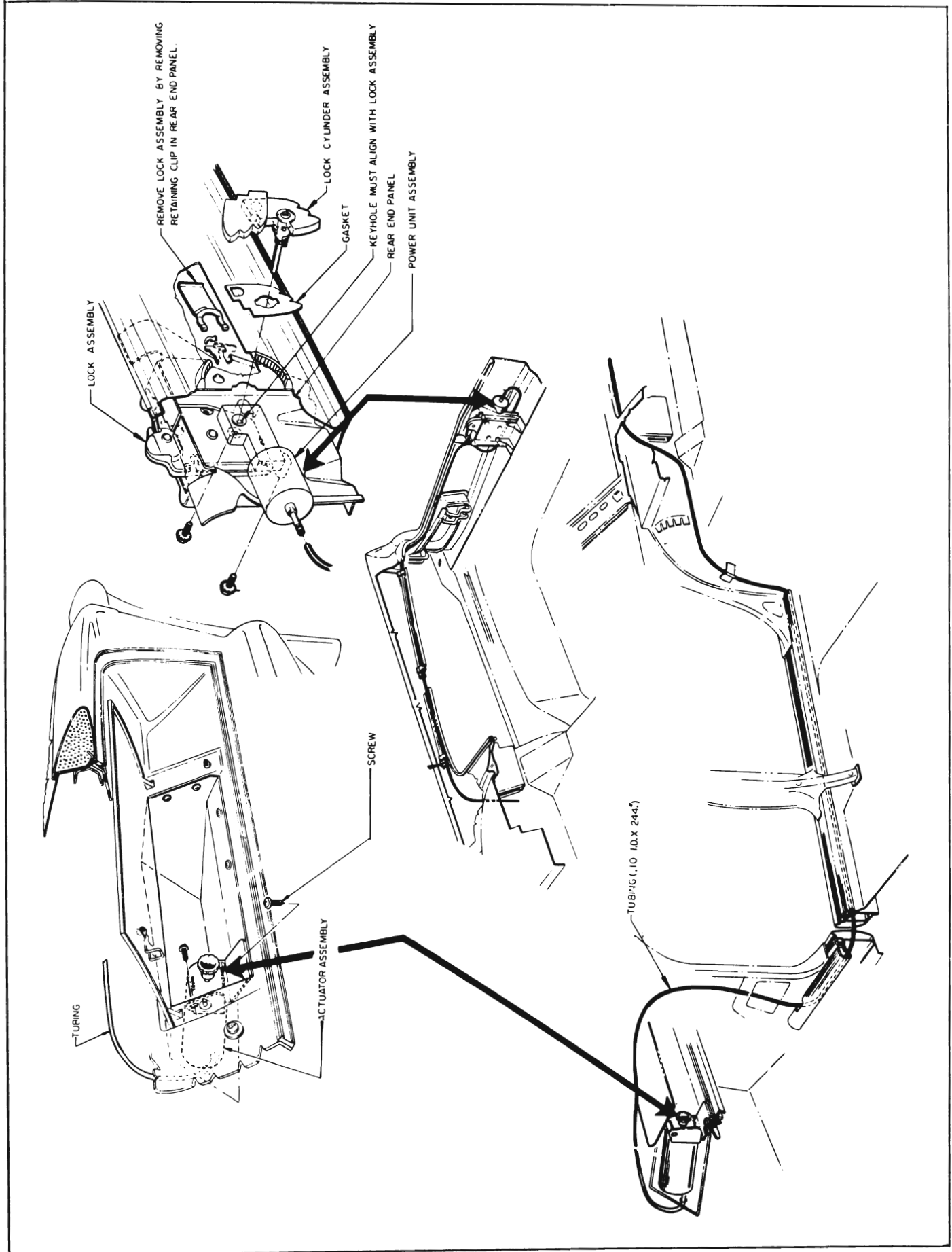


Figure 11-189—Vacuum Trunk Release Installation—4700 Series





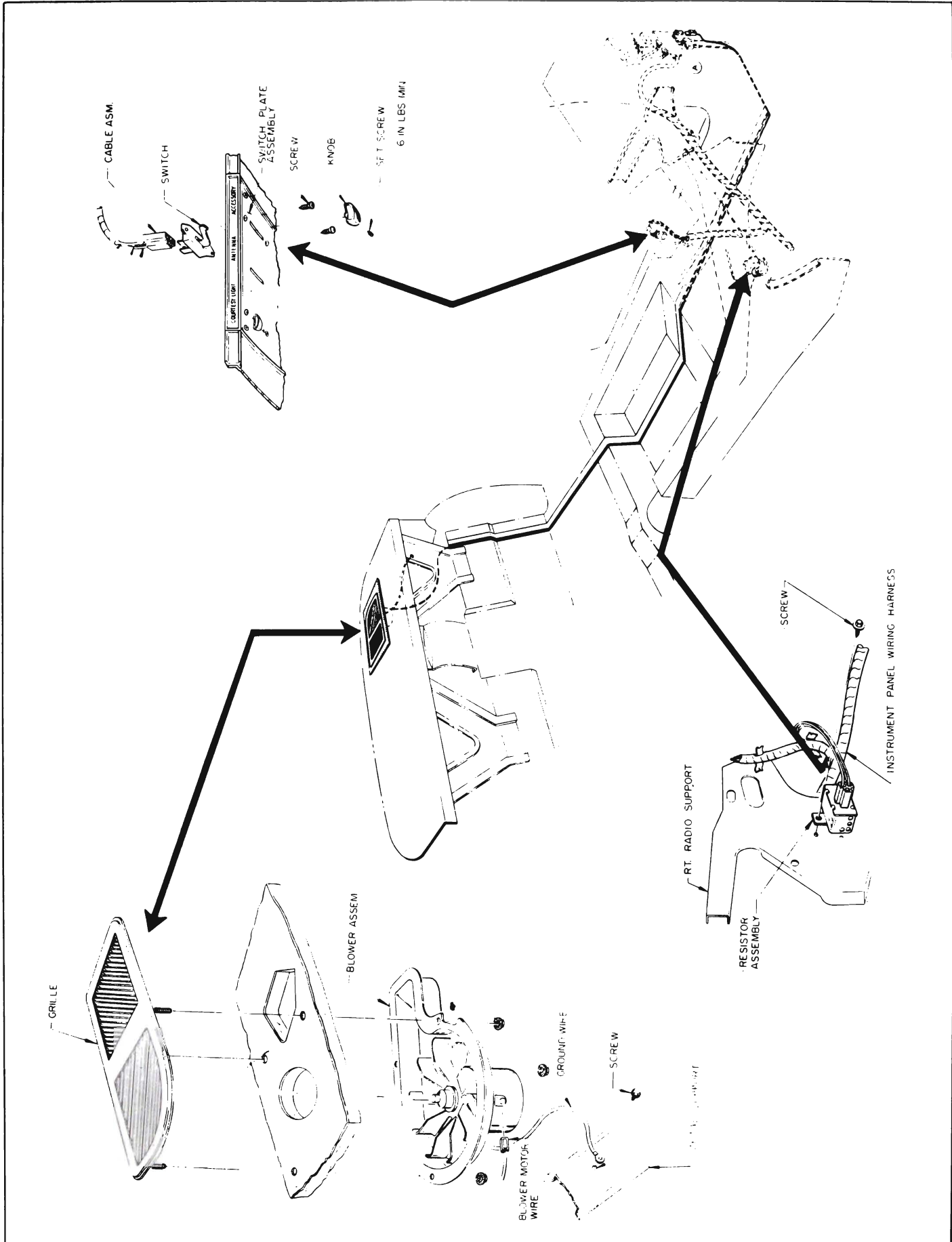


Figure 11-191—Rear Window Defroster Installation—4700 Series

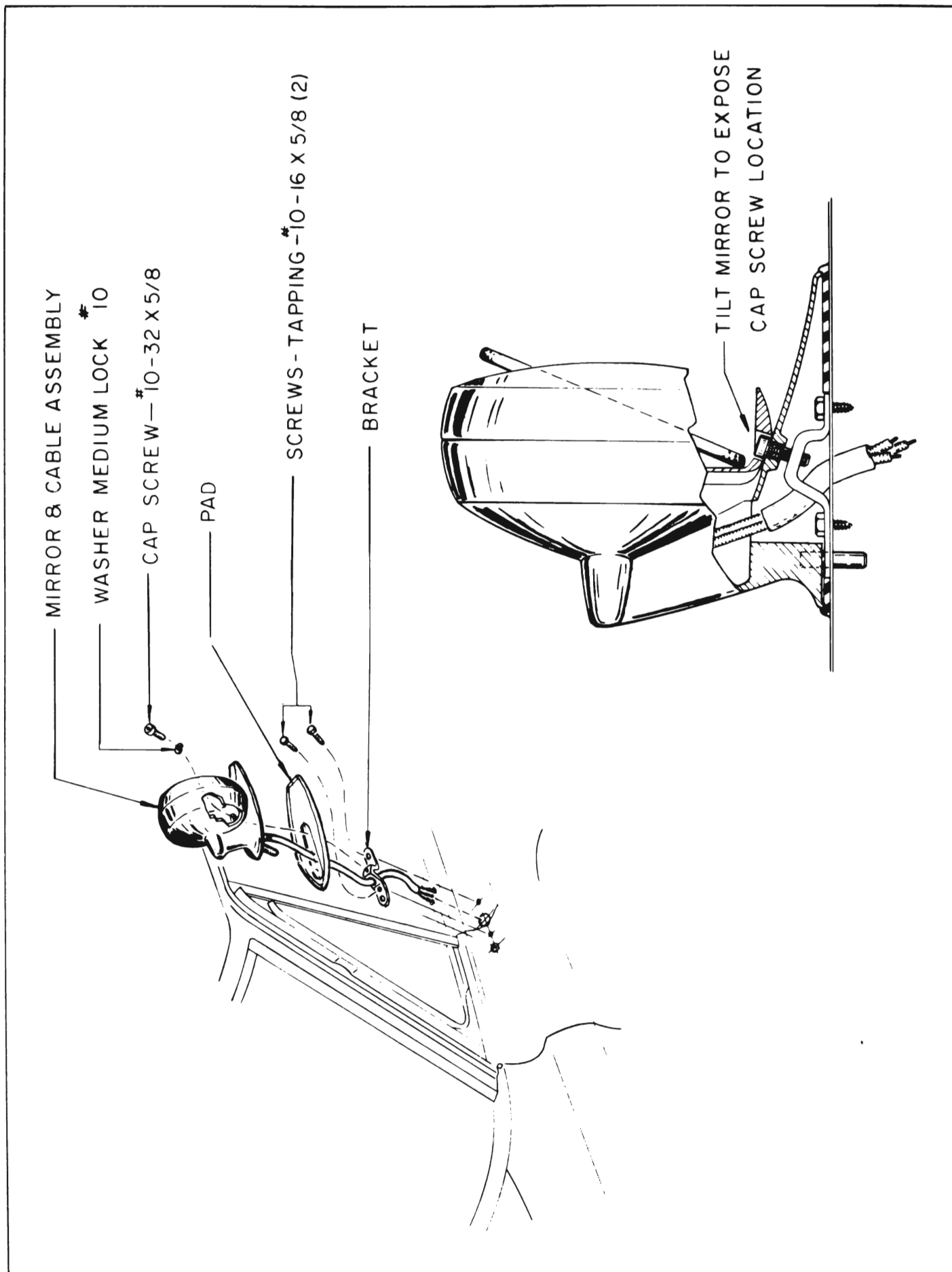
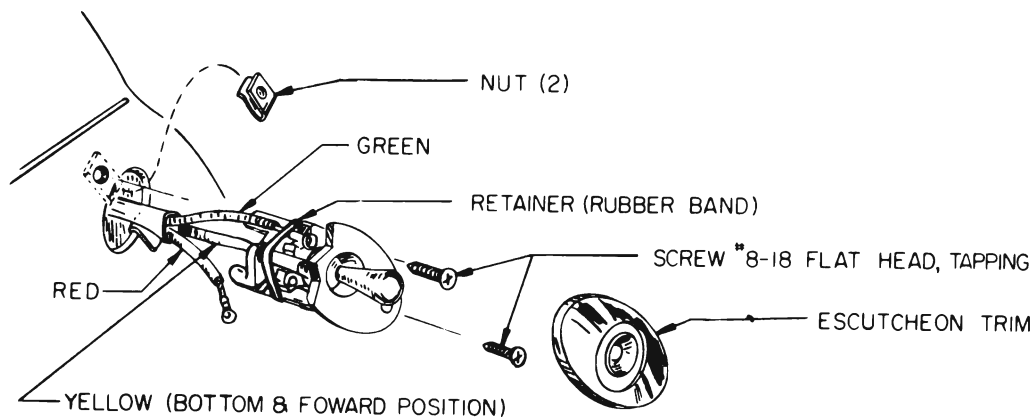
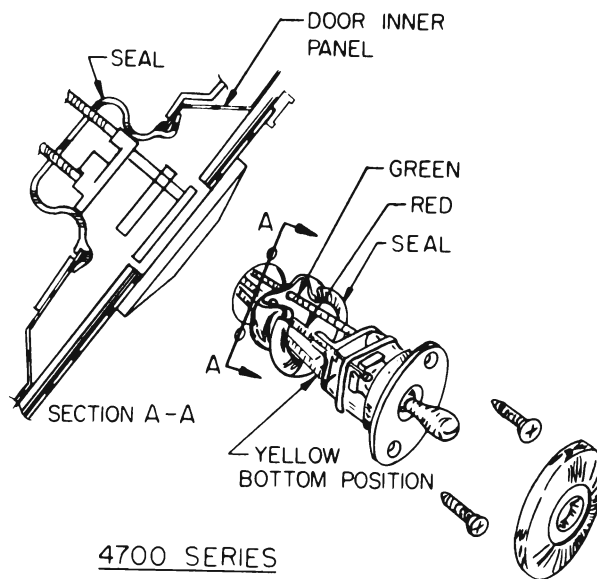


Figure 11-192—Remote Control Outside Mirror Installation—4400, 4600, 4700 and 4800 Series



4400-4600 & 4800 SERIES

Figure 11-193—Remote Control Outside Mirror Installation—4400, 4600, 4700 and 4800 Series