

GROUP 9 BRAKES

SECTIONS IN GROUP 9

Section	Subject	Page	Section	Subject	Page
9-A	Brake Specifications, Description, Operation	9-1	9-C	Brake Service, Adjustment, Repair Procedures	9-14
9-B	Brake Trouble Diagnosis	9-10			

SECTION 9-A BRAKE SPECIFICATIONS, DESCRIPTION, OPERATION

CONTENTS OF SECTION 9-A

Paragraph	Subject	Page	Paragraph	Subject	Page
9-1	Brake Specifications	9-1	9-3	Operation of Hydraulic Service Brakes	9-7
9-2	Description of Brake Mechanism	9-2			

9-1 BRAKE SPECIFICATIONS

a. Tightening Specification

Use a reliable torque wrench to tighten the parts listed, to insure proper tightness without

straining or distorting parts. These specifications are for clean and lightly lubricated threads only; dry or dirty threads produce increased friction which prevents accurate measurement of tightness.

Part	Name	Thread Size	Torque Ft. Lbs.
Nut	Brake Pedal Pivot Shaft to Mounting Bracket	3/8 -24	25-35
Nut	Brake Cylinder and Pedal Mounting Bracket to Dash	3/8 -16	20-30
Nut	Rear Brake Assembly to Axle Housing	3/8 -24	45-55
Bolt & Nut	Front Brake Assembly and Steering Arm to Knuckle	7/16-20	65 Min.
Bolt	Front Brake Anchor Pin	1/2 -20	80-100
Switch	Stop Light	1/8 -27 Pipe	8-14

b. General Specifications

Items	
Operating Mechanism, Service Brakes	Hydraulic
Parking Brakes	Lever and Cables
Operation of Service Brakes Independent of Parking Brakes	Yes
Wheels Braked, Service	Front and Rear
Parking	Rear Only
Approx. % of Total Braking Power on - Front Wheel Brakes	57
Rear Wheel Brakes	43
Brake Pedal Height Adjustment	None
Static Pressure in Hydraulic System when Brakes are Released	8 to 16 lbs.
Number of Brake Shoes at Each Wheel	2
Brake Type	Self Energizing-Servo
Brake Shoe Lining Type	1 pc., Molded-Riveted

b. General Specifications (Cont'd)

Items	
Front Shoe Lining Width x Minimum Thickness	2.00" x .196"
Rear Shoe Lining Width x Minimum Thickness	1.75" x .196"
Front and Rear Brake Drums All Series	Finned C.I. with Steel Disk
Master Cylinder Piston Dia.	1"
Wheel Cylinder Size, Front	1"
Wheel Cylinder Size, Rear	7/8"
Approved Hydraulic Brake Fluid	GM or Delco Super No. 11
Fluid Level, Below Lip of Filler Opening	1/2" to 1"
Shoe Adjusting Screw Setting, from Point where Wheels can just be turned by hand	Back Off 15 Notches
Brake Drum Inside Diameter, New	9.495" to 9.505"
Brake Drum Rebore, Max. Allowable Inside Diameter	9.565"
Max. Allowable Taper, Before Rebore	.003"
Max. Allowable Out-of-Round, Before Rebore	.006"
Max. Allowable Out-of-Balance of Drum	2 in. oz.
Max. Allowable Space Between Lining and Shoe Rim after Riveting	.005"

9-2 DESCRIPTION OF BRAKE MECHANISM

The brake mechanism includes a brake drum and a brake assembly at each wheel, and two separate and independent control systems for applying the brakes—(1) Parking brake control system (2) Service brake control system.

a. Wheel Brake Assemblies

The front and rear brake drums consist of a cast iron rim fused to a pressed steel disk. The cast iron rim provides an ideal braking surface and increased brake lining life. External ribs and fins aid in dissipation of heat. See Figure 9-1.

The brake assembly at each wheel uses a primary (front) and a secondary (rear) brake

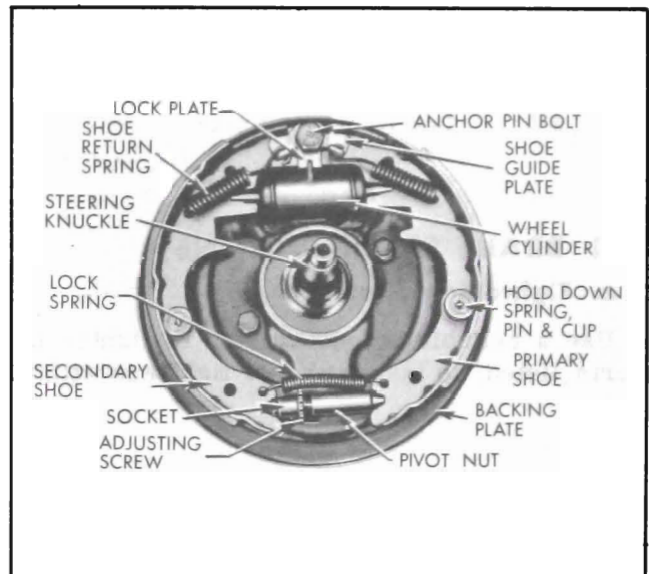


Figure 9-2—Front Brake Assembly - Right

shoe of welded steel construction, with one-piece molded lining attached by tubular rivets. The primary shoe lining is shorter than the secondary shoe lining and is of different composition; therefore the two shoes are not interchangeable. See Figure 9-2.

Each brake shoe is held against the backing plate by a hold-down spring, pin, and cup which allow free movement of the shoe. The notched upper end of each shoe is held against the single anchor pin by a heavy coil spring. An adjusting screw and spring connects the lower ends of both shoes together and provides adjustment for clearance with the brake drum. There is no anchor pin adjustment as the pins are fixed in the backing plates.



Figure 9-1—Brake Drum

A hydraulic wheel cylinder mounted on the backing plate between the upper ends of the brake shoes forces the shoes against the brake drum when the service brakes are applied. On rear wheels only, a lever mounted on each secondary shoe and connected to the primary shoe by a strut is used for applying the shoes when used as parking brakes. See Figure 9-10.

When the brake shoes contact the rotating drum, in either direction of car travel, they move with the drum until the rearward shoe is stopped by the anchor pin and the forward shoe is stopped by the rearward shoe through the connecting adjusting screw. Frictional force between drum and shoe lining tries to rotate each shoe outward around its anchor point but

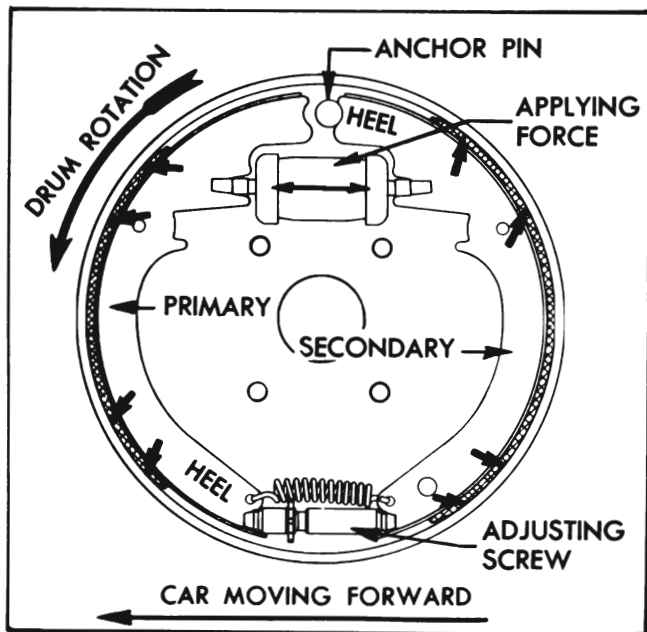


Figure 9-3—Brake Shoe Action

the drum itself prevents this rotation; consequently the shoes are forced more strongly against the drum than the applying force is pushing them. See Figure 9-3. It is also evident that the force applied by the drum to the forward shoe is imparted to the rearward shoe through the connecting adjusting screw.

Utilization of the frictional force to increase the pressure of shoes against the drum is called self-energizing action. Utilization of force in one shoe to apply the opposite shoe is called servo action. The self-energizing servo action of Buick brakes provides powerful braking action with relatively light pedal pressure.

b. Parking Brake Control System

The parking brake control system uses a hand operated brake lever, conduit enclosed cables, brake shoe levers and struts to apply the rear wheel brakes only. The front parking brake cable connects to a intermediate parking brake lever, which is located on left under side of body. A intermediate cable, with an adjusting nut for Parking brake adjustment, connects the intermediate lever to an equalizer sheave for the rear brake cables. See Figure 9-4. Each end of the rear brake cable is attached to the free lower end of a brake shoe lever pivoted on each secondary (rear) brake shoe. A strut is mounted between each brake shoe lever and the primary (front) brake shoe. See Figure 9-10.

When the brake lever is pulled rearward the cables apply an equal pull to each brake shoe lever, and the levers and struts force all rear brake shoes into firm contact with the brake drums. A spring loaded ratchet automatically locks the brake lever to keep the Parking brake applied. The brake lever is released by turning handle to the right.

c. Service Brake Control System

The regular foot powered service brake control system is a pedal operated hydraulic system which applies the brakes at all four wheels with equalized pressure.

The hydraulic system consists of one master cylinder connected by pipes and flexible hoses to a wheel cylinder mounted between the brake shoes at each wheel. The master cylinder, pipes, hoses, and four wheel cylinders are filled with a special fluid. The stop light switch operates from hydraulic pressure and is located at the top forward end of master cylinder. See Figure 9-5. A 1/4" O.D. Brake pipe connects the master cylinder assembly to a distributor located on the left body rail. The right front brake pipe extends rearward to dash, across front of dash to right front hose bracket. The left front brake pipe extends forward for a short distance, then under left body rail to left front hose bracket. The center brake pipe extends rearward from distributor along inside surface of left body rail to rear brake hose bracket on forward side of under body kick-up. A flexible hose then connects center brake pipe to rear junction block on left side of axle assembly. Two pipes lead off from the junction block, one to left rear wheel cylinder and the other to the right rear wheel cylinder.

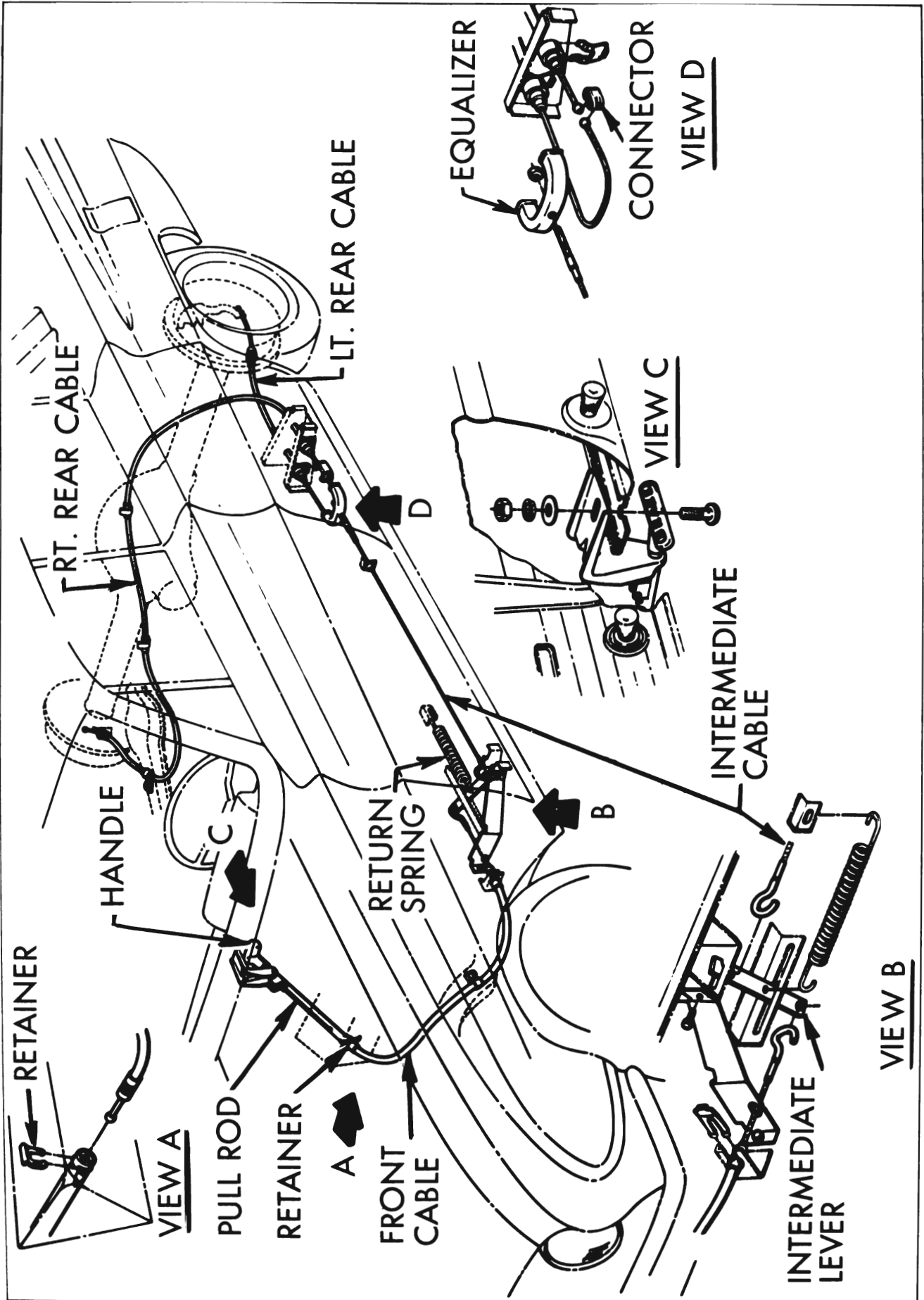


Figure 9-4—Parking Brake Control System

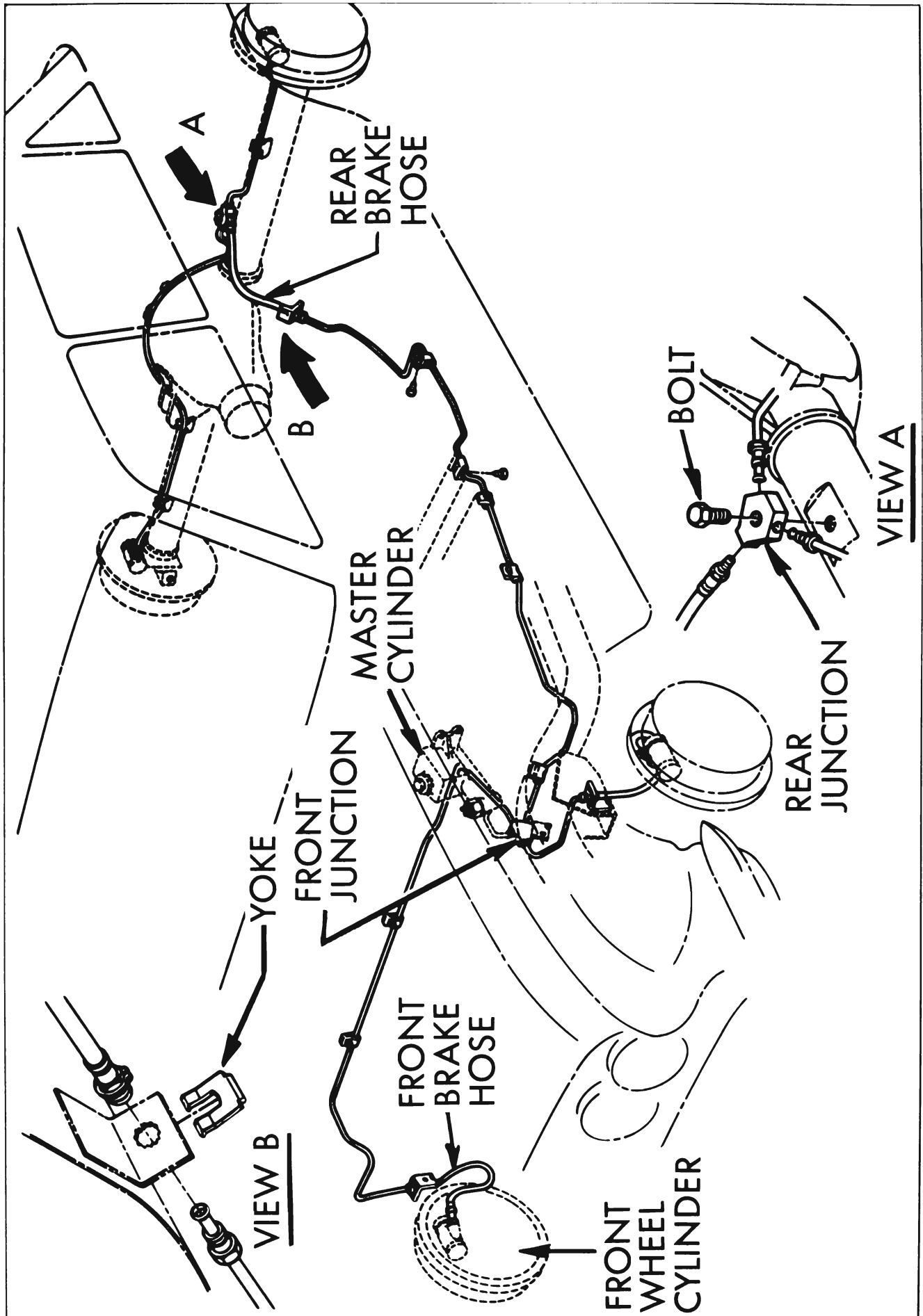


Figure 9-5—Service Brake Control System

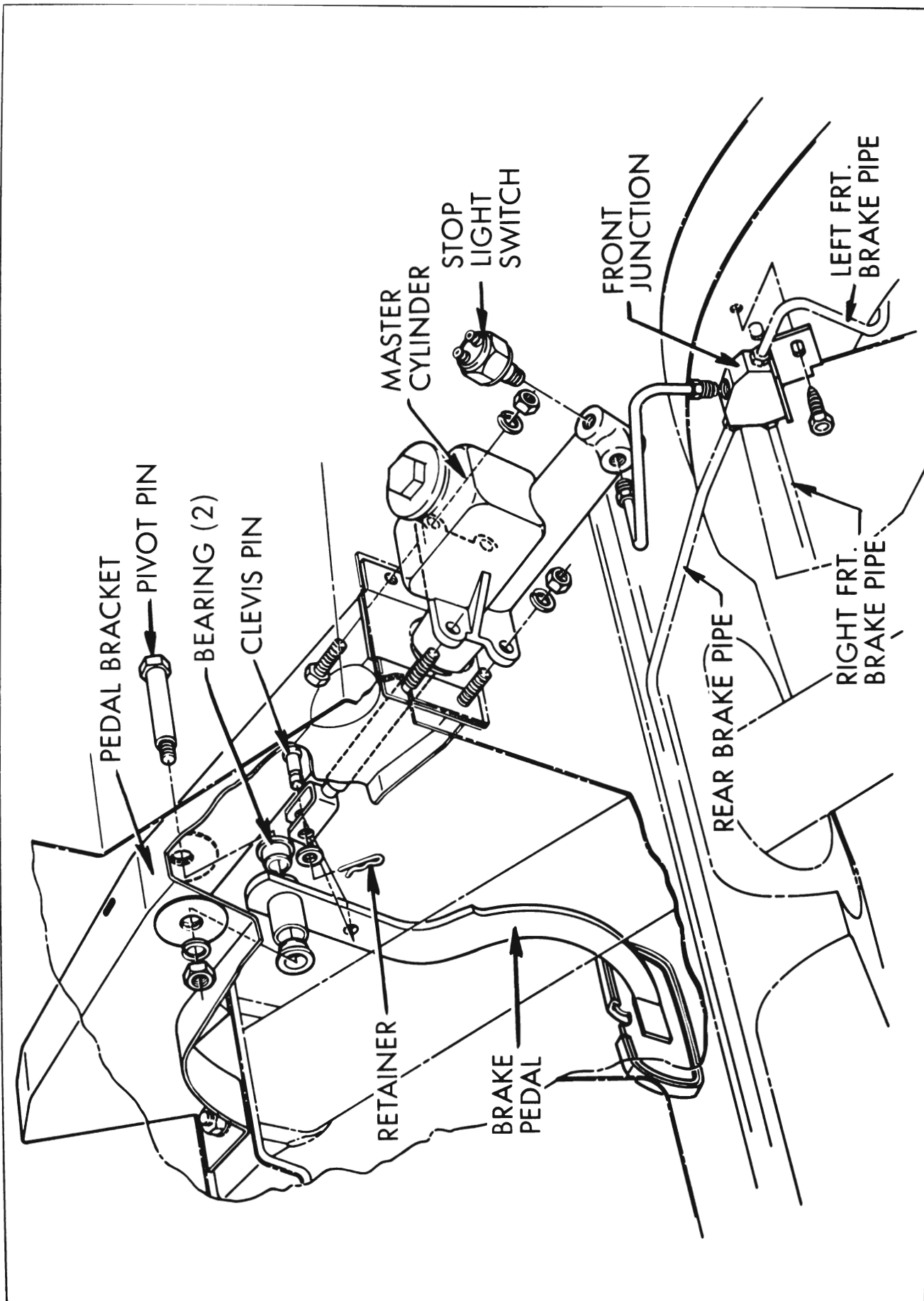


Figure 9-6—Mounting of Brake Pedal and Master Cylinder

The brake pedal is suspended from a pivot shaft on the pedal support. The master cylinder push rod clevis attaches directly to the shank of the pedal. See Figure 9-6. The overall mechanical advantage in the brake linkage is 6 to 1.

The pivot shaft in the brake pedal has nylon bearings which are lubricated during installation but do not require periodic lubrication. Whenever the linkage is disassembled, however, all friction surfaces should be lightly coated with Lubriplate. Because there is no pedal stop, the pedal is stopped in the "off" position by contact of the push rod with the stop plate in the master cylinder. No linkage adjustment is possible; therefore pedal height cannot be changed.

The master cylinder contains a vented reservoir for reserve fluid and a cylinder pressure chamber in which force applied to the brake pedal is transmitted to the fluid which actuates the brake shoes. A breather port and a compensating port permits passage of fluid between the reservoir and pressure chamber under certain operating conditions. A coil spring holds a check valve against the seat and also holds a rubber primary cup against the inner end of the piston. This cup and a rubber secondary cup on the outer end of the piston prevent escape of fluid past the piston. The piston is retained in the cylinder by a stop plate and lock ring. The push rod which actuates the piston extends through the stop plate, and a rubber boot is installed over this end of the cylinder to exclude foreign matter.

Each wheel cylinder contains two pistons and two rubber cups which are held in contact with the pistons by a central coil spring with cup expanders to provide a fluid-tight seal. The wheel cylinder cups are of a special heat resisting rubber. Cups of this material must have an expander to hold the lips of the cup out against the wheel cylinder bore. These cup expanders are crimped on each end of the wheel cylinder spring. The inlet port for brake fluid is located between the pistons so that when fluid pressure is applied both pistons move outward towards the ends of wheel cylinders. The pistons impart movement to the brake shoes by means of connecting links which seat in pistons and bear against webs of shoes. Rubber boots enclose both ends of cylinder to exclude foreign matter. A valve for bleeding the brake pipes and wheel cylinder is located above the inlet port.

9-3 OPERATION OF HYDRAULIC SERVICE BRAKES

When the brakes are fully released, the master cylinder piston is held against the stop plate and the primary cup is held just clear of the compensating port by the master cylinder spring, which also holds the check valve against its seat on the valve seat washer. The pressure chamber is filled with fluid at atmospheric pressure due to the open compensating port and reservoir vent. All pipes and wheel cylinders are filled with fluid under a "static" pressure of 8-16 pounds, which helps to hold the lips of the wheel cylinder cups in firm contact with cylinder walls to prevent loss of fluid or entrance of air. See Figure 9-7, view A.

When the brake pedal is depressed to apply the brakes, the push rod forces the master cylinder piston and primary cup forward. As this movement starts, the lip of the primary cup covers the compensating port to prevent escape of fluid into the reservoir. Continued movement of the piston builds pressure in the pressure chamber and fluid is then forced through holes in the check valve and out into the pipes leading to all wheel cylinders. Fluid forced into the wheel cylinders between the pistons and cups causes the pistons and connecting links to move outward and force the brake shoes into contact with the drums. See Figure 9-7, view B.

Movement of all brake shoes into contact with drums is accomplished with very light pedal pressure. Since pressure is equal in all parts of the hydraulic system, effective braking pressure cannot be applied to any one drum until all of the shoes are in contact with their respective drums; therefore the system is self-equalizing. After all shoes are contacting the drums, further force on brake pedal builds up additional pressure in the hydraulic system, thereby increasing the pressure of shoes against drums.

On rapid stops some car weight is transferred from the rear to the front wheels, consequently greater braking power is required at front wheels in order to equalize the braking effect at front and rear wheels. Greater pressure is applied to front brake shoes by using larger wheel cylinders, so that distribution of braking power is approximately 57% at front wheels and 43% at rear wheels.

When the brake pedal is released, the master cylinder spring forces the pedal back until the

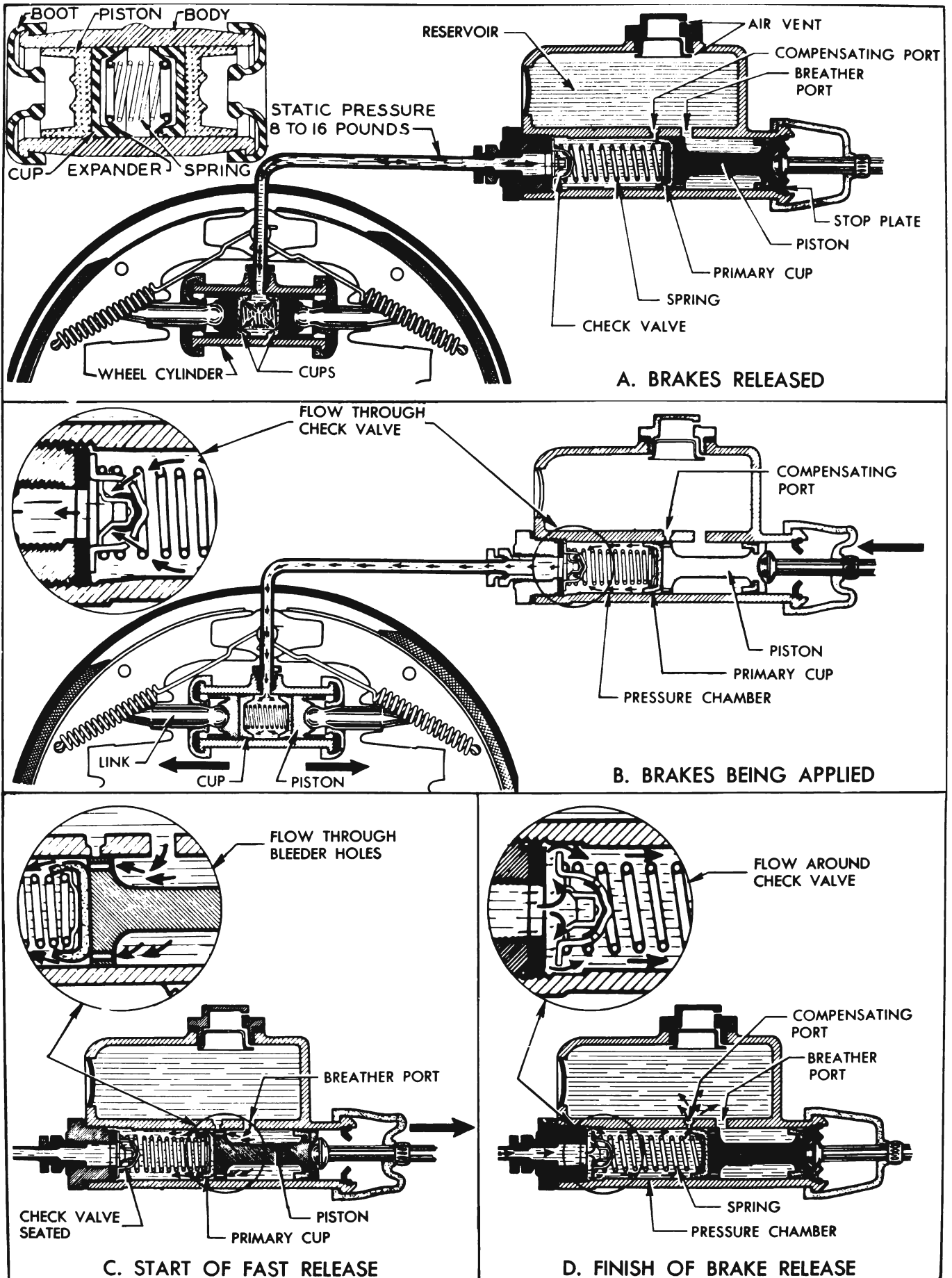


Figure 9-7—Operation of Brake Hydraulic System

push rod contacts the stop plate in master cylinder. This spring also forces the piston and primary cup to follow the push rod and presses the check valve firmly against its seat.

At start of a fast release the piston moves faster than fluid can follow it in returning from the pipes and wheel cylinders, therefore, a partial vacuum is momentarily created in the pressure chamber. Fluid supplied through the breather port is then drawn through the bleeder holes in piston head and past the primary cup to keep the pressure chamber filled. See Figure 9-7, view C.

As pressure drops in master cylinder the shoe springs retract all brake shoes and the connecting links push the wheel cylinder pistons inward, forcing fluid back to master cylinder.

Pressure of returning fluid causes a rubber disc to close all holes in the check valve and forces the check valve off its seat against the tension of master cylinder spring; fluid then flows around the check valve into the pressure chamber. With the piston bearing against the stop plate and the lip of the primary cup just clear of the compensating port, excess fluid which entered through the bleeder holes, or was created by expansion due to increased temperature, now returns to reservoir through the uncovered compensating port. See Figure 9-7, view D.

When pressure in wheel cylinders and pipes becomes slightly less than the tension of master cylinder spring, the check valve returns to its seat on head nut to hold 8 to 16 pounds of "static" pressure in the pipes and cylinders.