

SECTION 5-C

DYNAFLOW TRANSMISSION REMOVAL AND INSTALLATION, DISASSEMBLY AND ASSEMBLY

CONTENTS OF SECTION 5-C

Paragraph	Subject	Page	Paragraph	Subject	Page
5-13	Removal and Installation of Dynaflo Transmission	5-36	5-18	Disassembly, Inspection, Assembly of Reaction Shaft Flange and Oil Pumps	5-49
5-14	Disassembly of Dynaflo Transmission to Remove Major Parts and Units	5-37	5-19	Disassembly, Inspection, Assembly of Accumulators	5-51
5-15	Disassembly, Inspection, Assembly of Torque Converter Units	5-41	5-20	Disassembly, Inspection, Assembly of Clutch	5-52
5-16	Alignment of Converter Pump and Housing	5-46	5-21	Disassembly, Inspection, Assembly of Rear Bearing Retainer, Torque Ball and U. Joint	5-54
5-17	Disassembly, Inspection, Assembly of Valve and Servo Bodies	5-47	5-22	Disassembly, Inspection, Assembly of Planetary Gear Set and Transmission Case	5-56
			5-23	Assembly of Dynaflo Transmission from Major Parts and Units	5-58

5-13 REMOVAL AND INSTALLATION OF DYNAFLOW TRANSMISSION

a. Removal of Transmission

1. Hoist front and rear of car and rest it solidly on stands placed under frame. Frame side rail should be at least 20" above floor.

2. Disconnect torque tube from torque ball and move rear axle back to disengage propeller shaft from universal joint.

3. Remove converter housing cover.

4. Turn flywheel until one converter drain plug can be loosened sufficiently to provide an air vent, then turn flywheel until opposite drain plug is straight down. Remove this plug and allow oil to drain from converter.

5. Remove filler pipe from oil pan to drain oil from transmission.

6. Remove bolts to disconnect converter from flywheel.

7. Disconnect and remove oil cooler pipes.

8. Disconnect speedometer cable, disconnect shift rod from shift lever, and disconnect stator operating control rod from lever on high accumulator.

9. Place transmission jack or hoist in position and adjust it to securely support the transmission in accordance with instructions for the equipment being used.

10. Remove four bolts that attach the thrust plate to rear bearing retainer, then remove two nuts and plate which attach mounting pad to transmission support. See figure 2-41.

11. Raise engine and transmission just enough to relieve load on transmission support, remove bolts attaching each end of support to frame, then remove support and thrust plate as an assembly. NOTE: *Shims may or may not be used to fill space between the transmission support and frame. If shims are present note the number and location of shims so that they can be reinstalled in their original position.*

12. Place suitable jack under rear end of engine lower crankcase so that engine will be safely supported while transmission is removed. CAUTION: *Do not use bar with hooks placed over frame side rails because brake pipes on top of left side rail will be damaged.*

13. Lower the transmission just enough so that converter housing bolts can be reached. With engine and transmission supported by the separate jacks, disconnect the converter housing from engine crankcase.

14. Move transmission rearward to disengage hub of converter pump cover from crankshaft, lower transmission and remove it from under car.

b. Installation of Transmission

1. Turn flywheel so that one hole for converter attaching bolt is straight up and wide flange is straight down.

2. Raise transmission into place with same equipment as used for removal. Align converter attaching bolt holes with holes in flywheel before moving transmission forward against

cylinder crankcase. See step 17 under Section i. of paragraph 5-23 for proper alignment.

3. Adjust lifting equipment so that converter housing meets the engine crankcase squarely and engages the two dowels. Then install all converter housing bolts with lockwashers. Tighten all bolts uniformly to 45-55 ft. lbs. torque.

4. Raise transmission just enough to install transmission support and thrust plate, installing shims in their original locations between support and frame. Attach mounting pad to support with plate and nuts, and attach thrust plate to bearing retainer with four bolts and lockwashers.

5. Remove transmission hoist and engine support or jack.

6. Check converter drain plugs for tightness, then install converter housing cover.

7. Attach oil filler pipe to oil pan.

8. Install oil cooler pipes.

9. Connect torque tube to torque ball with bolts and lockwashers.

10. Connect speedometer cable to driven gear sleeve and connect shift rod to shift lever on transmission. Connect stator operating control rod to lever on high accumulator.

11. Wipe all oil from outside of transmission then lower car to floor.

12. Tighten torque ball bolts (see par. 4-12).

13. Fill transmission to proper level as described in paragraph 1-4.

14. Check adjustment of control linkage (par. 5-12). Check adjustment of stator operating controls and throttle linkage (par. 3-9).

15. Road test car for approximately 20 miles with frequent stops and starts as might be encountered in heavy traffic. A thorough road warm-up is desired.

16. Place car on hoist and carefully examine the transmission and all connections for oil leaks. Recheck oil level.

5-14 DISASSEMBLY OF DYNAFLOW TRANSMISSION TO REMOVE MAJOR PARTS AND UNITS

a. Preliminary Instructions

1. Before starting disassembly of the transmission it should be thoroughly cleaned externally to avoid getting dirt inside.

2. Place transmission on a CLEAN work

bench and use CLEAN tools during disassembly and assembly. Provide CLEAN storage space for parts and units removed from transmission.

3. The transmission contains parts which are ground and highly polished, therefore, parts should be kept separated to avoid nicking and burring surfaces.

4. When disassembling transmission carefully inspect all gaskets at times of removal. The imprint of parts on both sides of an old gasket will show whether a good seal was obtained. A poor imprint indicates a possible source of oil leakage due to gasket condition, looseness of bolts, or uneven surfaces of parts.

5. None of the parts require forcing when disassembling or assembling transmission. Use a rawhide or similar soft mallet to separate tight fitting cases—*do not use a hard hammer.*

6. It is good practice to reassemble parts in the same relative position as they were originally assembled, however, parts must not be prick punched or filed for assembly identification. The wear pattern of the parts will usually indicate their original assembly positions.

b. Removal of Converter and Housing

NOTE: *This operation not required for removal of valve and servo body, universal joint, or rear bearing retainer.*

1. Remove both drain plugs from converter pump cover to drain any oil remaining in converter.

2. Remove all nuts, plain washers, and bolts attaching cover to converter pump, then remove cover. Check the cover seal for damage or evidence of oil leakage before removing it from cover.

3. Remove reverse band adjustment cover and gasket, using Removing Tool J 2655. Shift

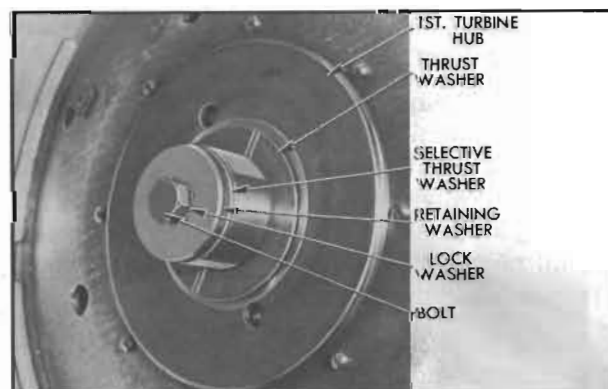


Figure 5-28—Turbine Retaining Washer and Thrust Washer

into "Parking" and pry up on reverse band operating lever with screwdriver to lock input shaft while removing the bolt, lockwasher, retaining washer and thrust washer from front end of input shaft. See figure 5-28. Remove bronze thrust washer from turbine hub.

4. Insert screwdriver into a hole in the first turbine disk to aid in removing the twin turbine assembly from the input shaft.

5. Install Tool J 5806 over input shaft with beveled end outward. Pull stator forward on reaction shaft, grasp thrust washer and spacers located behind the stator to retain all free wheeling parts in the stator, then slide the assembly forward upon the tool and remove from input shaft. See figure 5-29.



Figure 5-29—Removing Stator Assembly

6. Pull the converter pump forward from the reaction shaft and immediately check for evidence of oil leakage. Radial streaks of fresh oil on back of pump and fresh oil streaks on face of front oil pump body indicate leakage past the oil pump seal.

7. Before removing the converter housing check to see whether all attaching bolts are tight. Loose bolts may be the cause of oil leakage at this point.

8. Put housing over edge of bench and remove it. Examine the rubber oil seal located around the front oil pump to see whether it has been uniformly compressed by the housing; if not, check for any obstacle that may be around the oil pump or opening in housing that would prevent uniform compression of the seal.

9. See paragraph 5-15 for overhaul of converter units and paragraph 5-23 (i) for installation of converter housing and converter.

c. Removal of Oil Pan, Valve and Servo Body Assembly

NOTE: For removal of only the valve and servo body assembly the converter and converter housing (subpar. b) need not be removed. The following procedure also may be used with transmission in car.

1. Remove shift lever to avoid damage to valve operating linkage. Hold lever forward while removing the retaining nut and lockwasher so that linkage will not be strained, then remove lever from cross shaft.

2. Remove both band adjustment covers and gaskets, using Removing Tool J 2655.

3. Turn transmission bottom side up.

4. Remove the oil pan and gasket.

5. Remove six screws holding oil screen and remove screen.

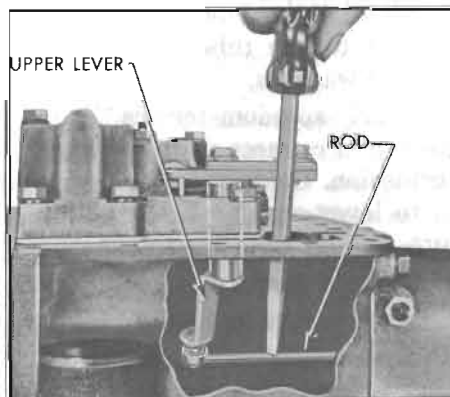


Figure 5-30—Disconnecting Valve Operating Rod from Upper Lever

6. Disconnect valve operating rod from valve operating lever (upper) by placing screwdriver on rod close to lever and exerting slight pressure. A spring loaded socket on rod engages a ball stud on lever. See figure 5-30.

7. Slightly loosen all valve and servo body attaching bolts, then remove bolts and lockwashers. *Do not loosen or remove the slotted safety nuts on valve-to-servo body studs.*

8. Lightly pry upward on the assembly to free the gasket between servo body and transmission case. Push shift control valve and lower operating lever inward to align the lower lever with opening in transmission case, then remove the assembly. See figure 5-31. **CAUTION:** *Do not grasp slotted end of control valve because sharp edges may cut hand.* Remove gasket and check for indication of oil leakage.

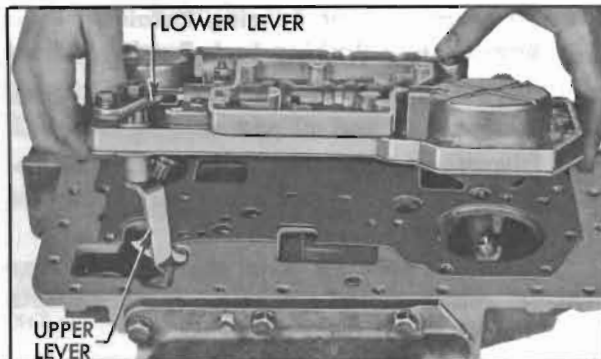


Figure 5-31—Removing Valve and Servo Body Assembly

9. Remove the reverse band operating strut by extending fingers through the adjustment hole to prevent strut from falling into transmission case then release the strut by raising the operating lever. See figure 5-32.

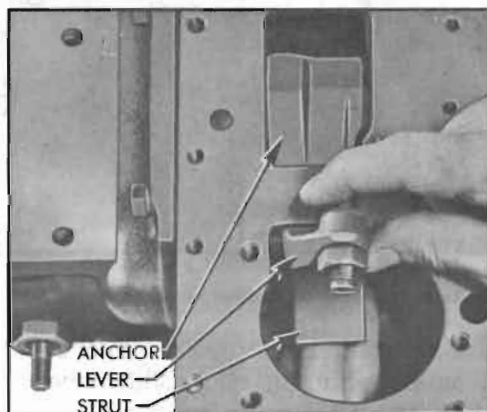


Figure 5-32—Removing Reverse Band Operating Strut

10. See paragraph 5-17 for overhaul of valve and servo bodies and oil pan, and paragraph 5-23 (g) for installation of these units.

d. Removal of Reaction Shaft Flange, Oil Pump, Accumulators, and Clutch

NOTE: The converter and converter housing (subpar. b) must be removed.

1. Remove retaining ring from groove in input shaft.

2. Loosen; but do not remove caps on both accumulators.

3. Remove the bolts which attach the accumulators and the oil pump cover but do not remove the stud nuts which attach these parts. See figure 5-33.

4. Tap very lightly on rear of accumulator bodies with fiber mallet to loosen reaction shaft

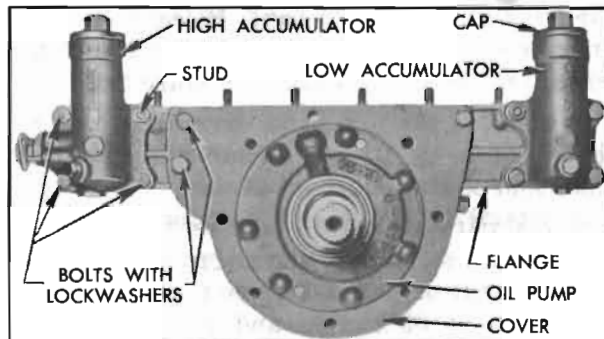


Figure 5-33—Accumulator Body and Reaction Shaft Flange Attaching Screws

flange, then remove the assembly and gasket. Leave input shaft in place in transmission.

5. Check reaction flange gasket for good imprint and freedom from damage which would cause an oil leak at this point.

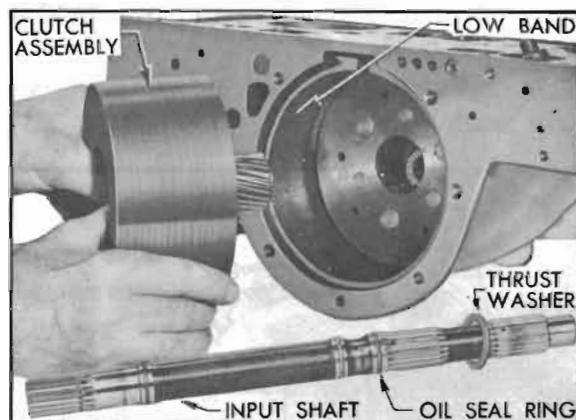


Figure 5-34—Removal of Clutch Assembly

6. Pull the input shaft and clutch hub front thrust washer from the clutch assembly, then remove the clutch assembly. See figure 5-34.

7. Compress the low band with the operating lever while applying Band Clip J 2595 across

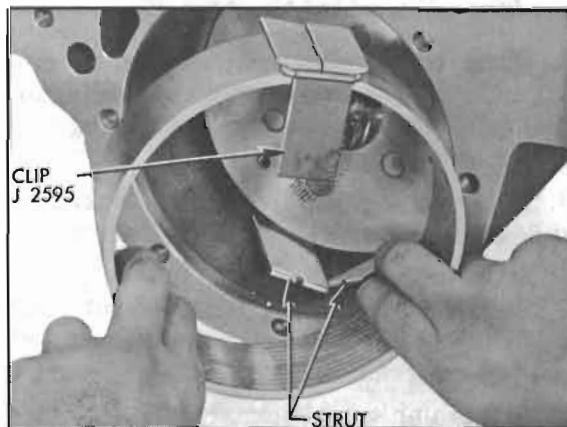


Figure 5-35—Removing Band with Clip J 2595

the strut flanges of the band. Release the lever and remove low band, then remove the struts which will drop into case. See figure 5-35.

8. Remove the low band operating lever by threading a $\frac{1}{4}$ "-20 cap screw into the lever shaft and pulling shaft out of case.

9. See paragraph 5-18 for overhaul of front oil pump and reaction flange, paragraph 5-19 for overhaul of accumulators, paragraph 5-20 for overhaul of clutch, and paragraph 5-23 (e, f) for installation of these units.

e. Removal of Torque Ball and Universal Joint

NOTE: None of the preceding operations are required for removal of torque ball and universal joint.

1. Remove attaching bolts, then remove torque ball, inner and outer retainers reinforcement and gaskets.

2. Remove speedometer driven gear and sleeve assembly.

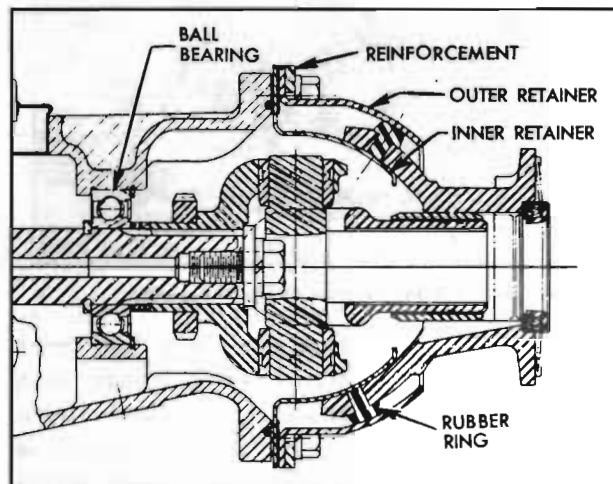


Figure 5-36—1957 Rear Bearing and Torque Ball

3. Place transmission shift lever on cross shaft and push lever forward while turning universal joint until the locking pawl engages the parking lock ratchet wheel.

4. Remove universal joint bolt, lockwasher and flat washer, using a $\frac{3}{4}$ " socket wrench and extension.

5. Pull universal joint from output shaft, using Universal Joint Puller J 682-A if joint cannot be removed by hand.

6. Remove universal joint spacer.

7. Remove transmission shift lever.

f. Removal of Rear Bearing Retainer, Rear Bearing and Parking Lock Ratchet Wheel

NOTE: Only the torque ball and universal joint (subpar. f) and oil pan need be removed.

1. Disconnect valve operating rod from upper operating lever if not previously done. See figure 5-30.

2. Remove retaining bolts, then remove rear bearing retainer and gaskets. Check gaskets for evidence of oil leakage.

3. Remove rear bearing horseshoe washer from output shaft, using hammer and large screwdriver.

4. Remove snap ring from rear of rear bearing. Tap out bearing.

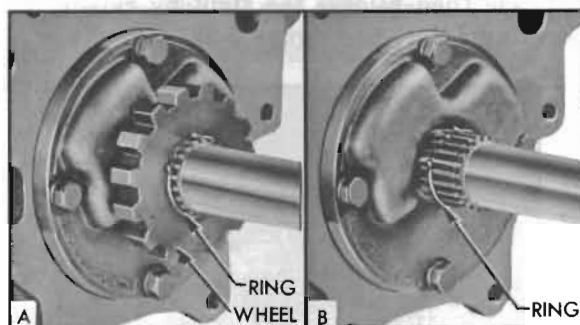


Figure 5-37—Removing Ratchet Wheel Retaining Ring

5. Using snap ring pliers, remove ratchet wheel outer retaining ring, slide wheel from output shaft, and remove inner retaining ring. See figure 5-37.

6. See paragraph 5-21 for overhaul of rear bearing retainer and paragraph 5-23 (d) for installation.

g. Removal of Rear Oil Pump and Lubrication Oil Pressure Regulator Valve

NOTE: Rear bearing retainer (subpar. f) must be removed.

1. Remove retaining bolts then remove pump body, which contains the pump gears.

2. Remove the drive key, then use pointed tool to remove the rubber cushion which is located under drive key in the output shaft.

3. Remove the rear pump plate and gasket if they can be removed from the case without prying. If plate is stuck, it can be tapped out after removal of the planetary gear set. Check gasket for indication of oil leakage.

4. Remove the lubrication oil pressure regulator valve seat from transmission case, using

3/8" Allen wrench. Remove valve and spring.

5. See paragraph 5-18 for inspection of rear oil pump and paragraph 5-23 (c) for installation.

h. Removal of Planetary Gear Set, Reverse Ring Gear and Reverse Band

NOTE: All of the preceding operations must be performed before removal of planetary gear set.

1. Remove planetary gear set through front of case. See figure 5-38.

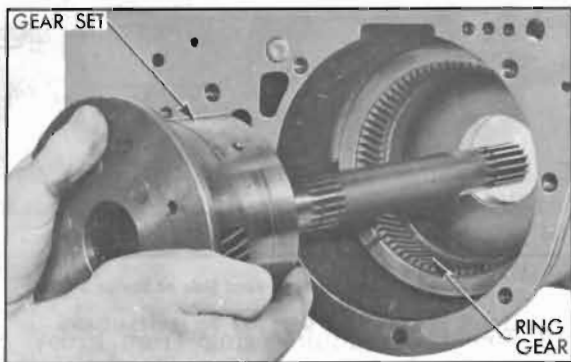


Figure 5-38—Removing Planetary Gear Set

2. Remove the reverse ring gear.

3. If rear oil pump plate and gasket were not previously removed, tap them out with hammer handle from front side of case.

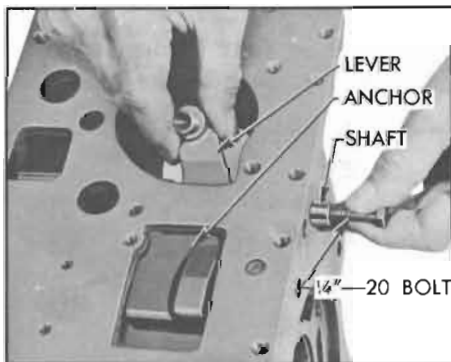


Figure 5-39—Removing Reverse Band Operating Lever and Shaft

4. Thread a 1/4"-20 bolt into the reverse band anchor shaft to pull it from transmission case; then remove the operating lever. Rotate the reverse band until the anchor can be disengaged, then remove this part. See figure 5-39.

5. Compress ends of reverse band and apply Band Installing Clip J 2595 across the strut flanges, then remove band.

6. Remove the reverse ring gear thrust washer from case.

7. See paragraph 5-22 for overhaul of planetary gear set and paragraph 5-23 (b) for installation.

5-15 DISASSEMBLY, INSPECTION, ASSEMBLY OF TORQUE CONVERTER UNIT

a. Disassembly of Twin Turbine

1. Pry retaining ring out of groove in first turbine, insert screwdriver in a hole in the disk and lift disk and hub assembly out of first turbine. See figure 5-40.

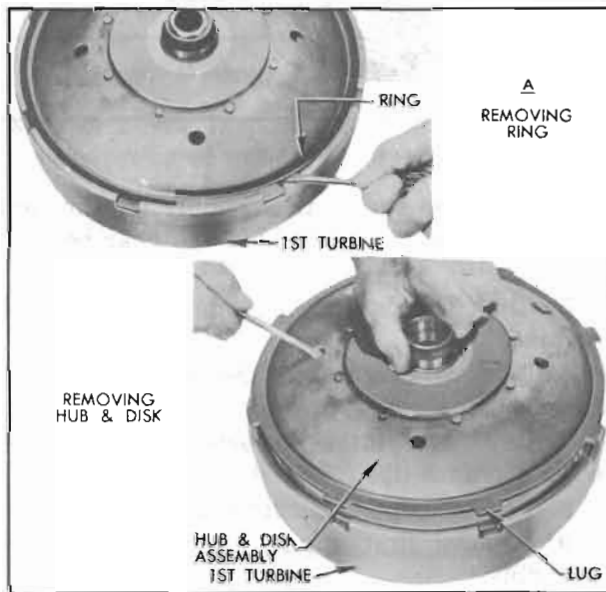


Figure 5-40—Removing Disk and Hub Assembly

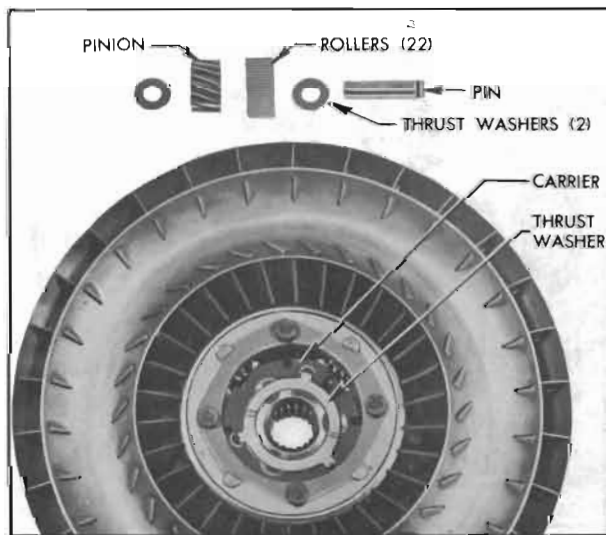


Figure 5-41—Second Turbine Parts

2. Lift the second turbine and carrier assembly out of first turbine.

3. Remove tanged thrust washer. (This washer may remain in carrier or be found on top of the sun gear.)

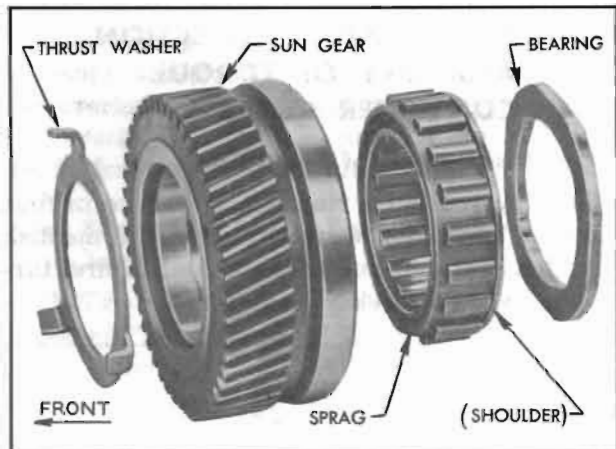


Figure 5-42—Sun Gear Parts

4. Slide the sun gear assembly off the first turbine being careful to hold sun gear bearing in place.

5. Lift first stator assembly out of first turbine.

6. Remove the bronze bearing and sprag from the sun gear.

7. Lay first stator on bench with narrow edge of vanes up.

8. Pry off cupped thrust washer.

9. Remove first stator bearing and sprag assembly.

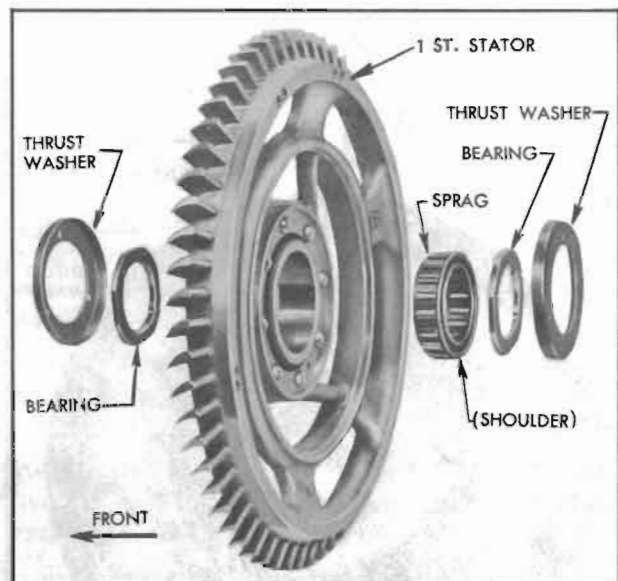


Figure 5-43—First Stator Parts

10. Using a brass drift, carefully tap first stator bearing to remove bearing and cupped thrust washer.

b. Disassembly of Variable Pitch Stator

1. Remove stator thrust washer and selective spacers from rear side of stator, remove Tool J 5806, then remove free wheel rollers and springs from the cam.

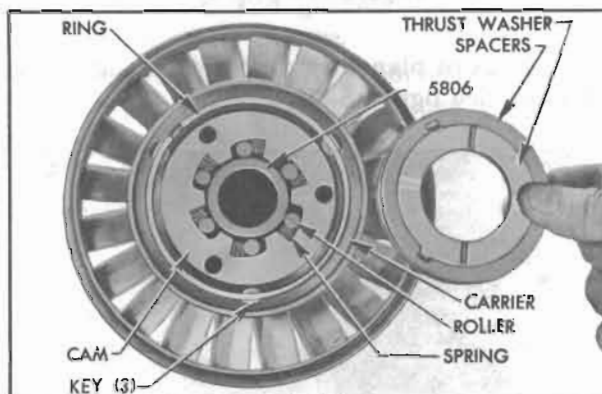


Figure 5-44—Parts in Rear Side of Stator

2. Pry the retaining ring from groove in stator blade rear carrier, and remove free wheel cam and three driving keys. See Figure 5-44.

3. Use Screwdriver J 5826 to remove the stator blade front carrier screws and lock-washers, then remove front carrier which is also held to rear carrier by two dowels. See Figure 5-45.

4. Tilt three or four blades toward the low angle position and slide the crank pin ends

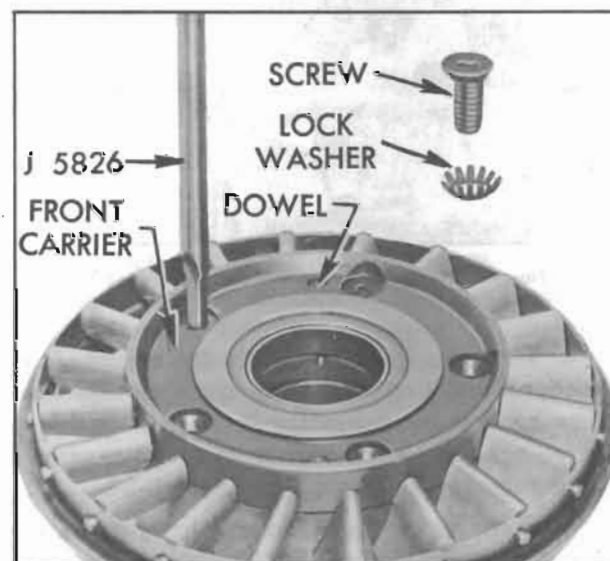


Figure 5-45—Removing Front Carrier Screws

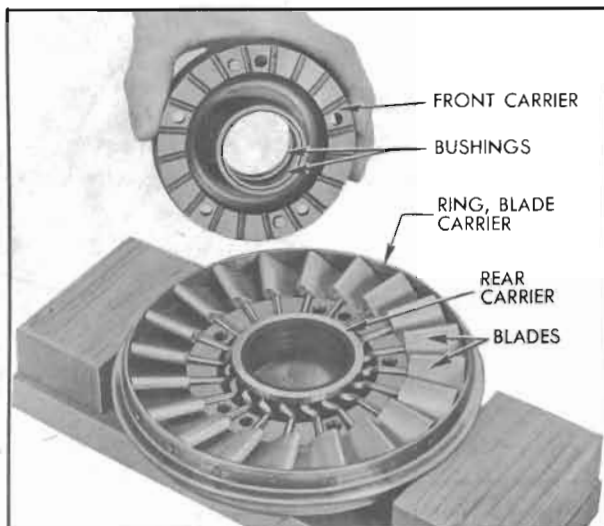


Figure 5-46—Front of Stator Assembly

clockwise around the stator piston groove. The next blade and all succeeding blades will then have enough clearance to be removed. See Figure 5-47.

c. Inspection of Torque Converter Parts

1. Wash all parts in clean solvent and dry thoroughly.

2. Inspect converter pump hub for scores and for wear caused by the front pump seal. If pump is suspected of leaking oil it may be tested as described in subparagraph d, below.

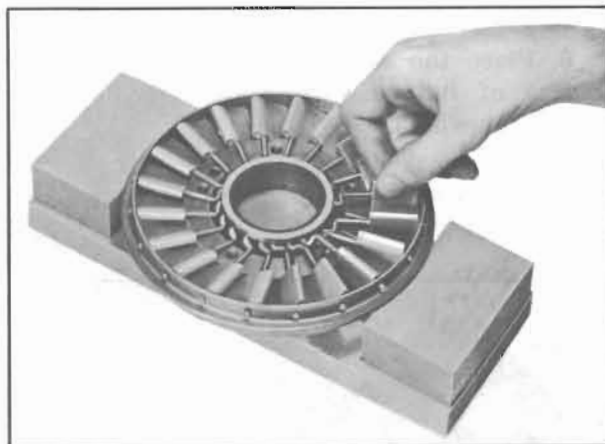


Figure 5-47—Stator Blades Being Removed

3. Inspect converter pump and turbines for cracked or damaged vanes. Inspect turbine carrier, planetary gear teeth, thrust washer, bushings and related bearing surfaces for excessive wear, scoring or other damage.

4. Inspect sprag bores in first stator and sun gear also O.D. of reaction shaft for brinelling,

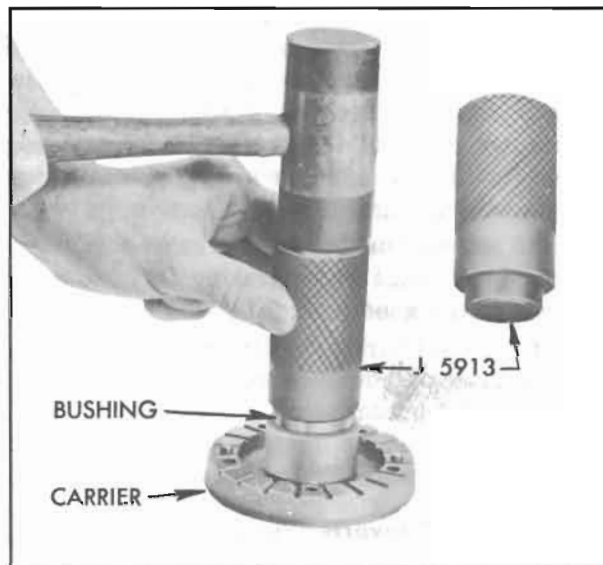


Figure 5-48—Installing Bushing in Blade Carrier

wear or burrs. Inspect sprags and sprag cages for distortion or excessive wear. Replace sprag if cage is distorted.

NOTE: If sprag clutches are dropped or handled in any manner which dislocates a sprag or distorts either cage, the assembly must be replaced.

5. Inspect stator free wheel rollers and cam for nicks or burrs, which should be removed with an Arkansas stone and polished with crocus cloth. Discard any roller springs that are damaged or distorted.

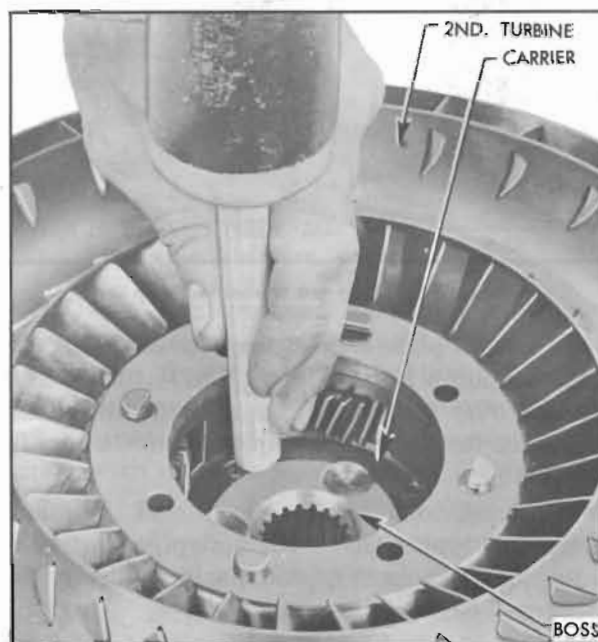


Figure 5-49—Removing Second Turbine Carrier

6. Inspect stator blades for distortion, cracks, loose on cranks, or other damage.

7. Inspect piston oil seal ring and bore of blade carrier for scoring or wear. If bushings in carrier are worn they should be replaced, using Installer J 5913 to properly locate new bushings. See Figure 5-48.

8. If second turbine or the carrier must be replaced, use care in separating them to avoid damage to the good part.

With second turbine suitably supported, tap carrier free of counterbore in turbine, using hammer and a hardwood dowel or other soft punch. *Do not drive against surface of thrust boss in carrier.* See Figure 5-49.

d. Testing Converter Pump for Oil Leakage

1. Prepare a plate with rubber washer to close the opening in converter pump hub, as shown in Figure 5-50. The bolt head should be brazed to the plate to seal the bolt hole, and the $\frac{1}{8}$ " thick rubber washer should be cemented to the plate.

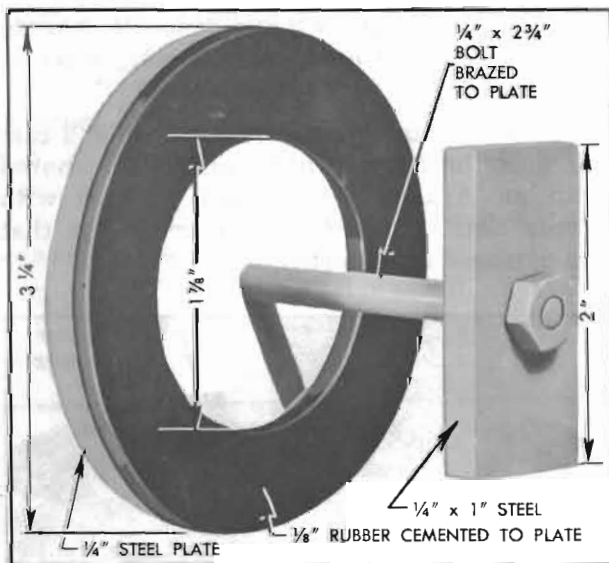


Figure 5-50—Plate and Washer for Pump Test

2. Install plate with washer over inside surface of pump hub (Figure 5-51), then install pump cover with seal and tighten all bolts to 25-30 ft. lbs. torque in sequence shown in Figure 5-108.

3. Install one drain plug, and install a Schrader type valve with $\frac{1}{8}$ " pipe thread in other drain hole. Tighten parts securely. See Figure 5-51.

4. Attach air hose to valve fitting, fill pump with compressed air at 80 to 100 lbs./sq. in.

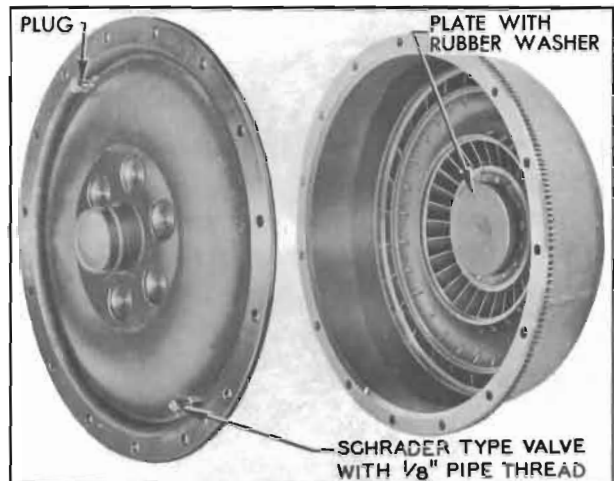


Figure 5-51—Plate and Plugs Installed in Pump and Cover

and submerge pump in water tank. Air bubbles will appear at any point where oil leakage exists.

CAUTION: *After a pump cover seal is used in this test it should not be used when rebuilding transmission.*

e. Assembly of Variable Pitch Stator

1. Insert stator piston and oil seal ring in the rear carrier and push to extreme forward position.

2. Place the rear carrier and piston on center block of fixture to hold the piston in position. See suggested fixture shown in Figure 5-52.

3. Place the stator outer ring on 2 outer blocks of fixture with crank pin holes up. See Figure 5-53.

4. Holding the blade in the approximate "low pitch" position insert the crank pin in the outer ring. Then rotate the blade to bring the crank

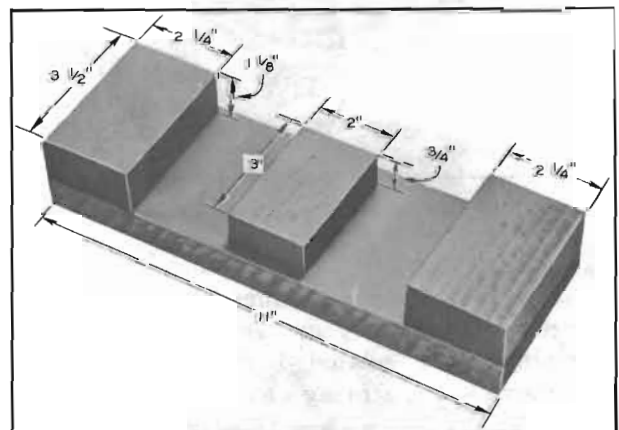


Figure 5-52—Variable Pitch Stator Assembling Fixture



Figure 5-53—Inserting Stator Blades in Carrier

throw into the piston groove. Hold the piston, blades, and outer ring together as shown in Figure 5-53.

5. Install the remainder of the blades, working in a clockwise direction.

6. To insert the last blade it will be necessary to tilt the adjacent 3 blades. See Figure 5-54.

7. Install the front carrier and bolt in place. Be sure the blades operate freely in the carrier.

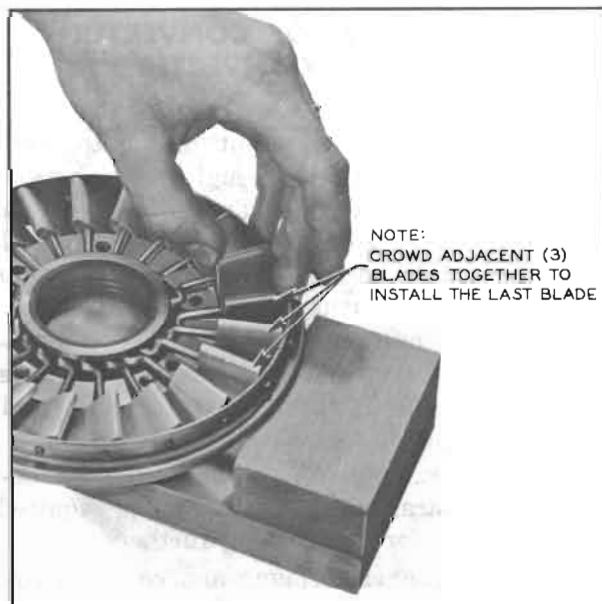


Figure 5-54—Inserting Last Blade

f. Assembly of Sun Gear and Twin Turbine

1. Install sprag in bore of sun gear with shouldered end outward then carefully press the bearing in place. See Figure 5-42.

2. Check operation of sun gear sprag clutch by sliding sun gear assembly on reaction shaft with gear end toward front of transmission. When viewed from front of transmission sun gear must rotate freely clockwise and lock in a counterclockwise direction.

3. Lay first stator on bench with thin edges up. Place first stator sprag in hub of first stator with shoulder down. Install one bronze bearing and cupped thrust washer on each side of sprag. See Figure 5-43.

4. Check operation of first stator sprag clutch by sliding the first stator on the reaction shaft with thin edge of blades toward front of transmission. The first stator must turn freely clockwise and lock in a counterclockwise direction when viewed from front of transmission.

5. If second turbine was separated from the carrier, make certain that counterbored recess in turbine and mating surfaces of carrier are clean and free of burrs, and apply a film of oil to these surfaces.

6. Support the carrier on suitable blocks, install several pinion pins to serve as pilots, then place turbine in position so that carrier is squarely started into recess in turbine.

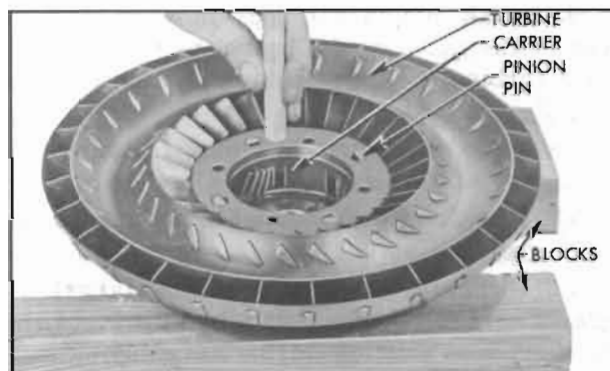


Figure 5-55—Installing Turbine on Carrier

7. Use a hammer and hardwood dowel or other soft punch to tap the turbine down over the carrier. Avoid distortion of turbine by using light blows applied midway between holes and alternated from side to side to keep parts square with each other. See Figure 5-55.

NOTE: If turbine cannot be assembled on carrier with moderate force, remove it and check for burrs in counterbored recess.

8. With turbine and carrier supported on wood blocks, hub side down, assemble and install the four pinions as follows:

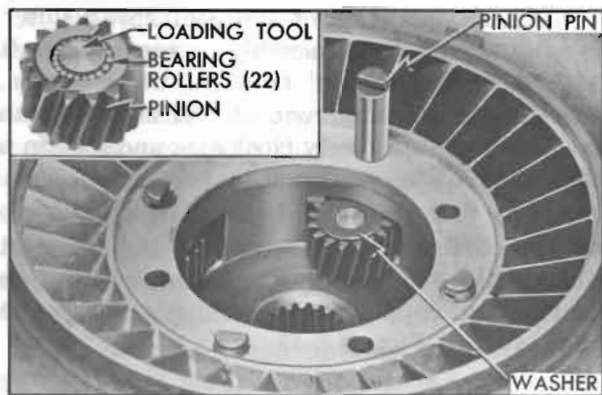


Figure 5-56—Installing Pinion in Carrier

(a) Place planet pinion on a thrust washer, install 22 needle bearing rollers in pinion and place a thrust washer on top of pinion.

NOTE: A loading tool made locally of steel rod $\frac{3}{8}$ " in diameter by $1\frac{1}{16}$ " long will simplify loading and installation of pinion. See Figure 5-31.

(b) Place assembled pinion in carrier and install a pinion pin with notched end up. After loading tool is pushed out of carrier, slide a block under pinion pin to hold it in place. Turn all pins so that notches face center of carrier. See Figure 5-56.

9. Install pinion pin lock plate so that it enters the notches of all pins, then install the four turbine-to-carrier bolts with lockwashers. See Figure 5-41.

10. Place first stator in first turbine with thin edge of blades up.

11. Place sun gear assembly on first stator with gear end up.

12. Place thrust washer (with tangs) in planet carrier. Use chassis lube to prevent the washer from shifting during assembly.

13. Place second turbine and carrier assembly in first turbine. Be sure pinions mesh with sun gear.

14. Place thrust washer on carrier.

15. Install first turbine disk and hub assembly over second turbine.

16. Rotate disk until the ring gear meshes with the carrier pinions, then align driving lugs on disk with notches in first turbine and push the assembly all the way down into turbine.

17. Note that the turbine disk retaining ring is "dished." Place the ring in position with the "dish" upward so that the inner edge will bear

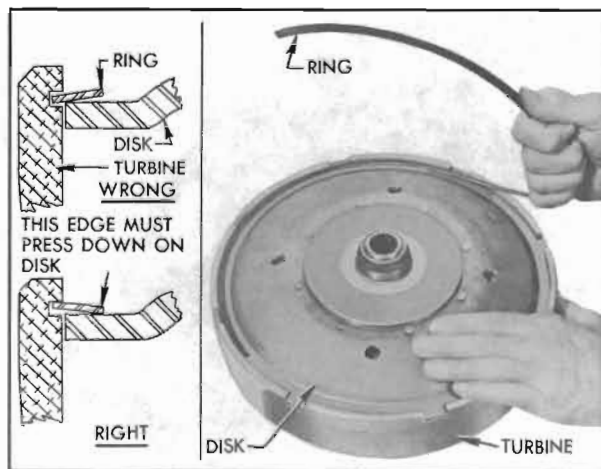


Figure 5-57—Installing Disk Retaining Ring

firmly against the disk when the ring is engaged in the groove in first turbine. See Figure 5-57.

18. Start one end of ring into groove in turbine, then twist the ring upward as shown in Figure 5-57 to lay the ring flat on the disk so that it can be progressively entered into the groove all the way around.

19. Make certain that the ring is fully seated in the groove and that inner edge bears against the turbine disk. Tap inner edge down against disk if it has raised up.

5-16 ALIGNMENT OF CONVERTER PUMP AND CONVERTER HOUSING

Converter oil leaks, front oil pump body leaks, front oil pump noise, and excessive wear of front oil pump bushing and oil seal may be caused by: (1) Excessive run-out of flywheel face (2) Excessive run-out of converter pump hub (3) Misalignment of converter housing.

When any of these conditions are encountered and there is any doubt as to their true cause, check the flywheel, converter pump and converter housing as follows:

1. Check run-out of flywheel face as described in paragraph 2-26 and make required corrections before proceeding further.

2. Install converter pump and cover on flywheel and tighten mounting bolts to 25-30 ft. lbs. torque. Install converter housing on crankcase.

3. Prepare a special dial indicator clamp by welding a piece of $\frac{5}{16}$ " x 3" drill rod to a 1" C-clamp. Use the special clamp and Sleeve KMO-30-K to mount Dial Indicator KMO-30-B

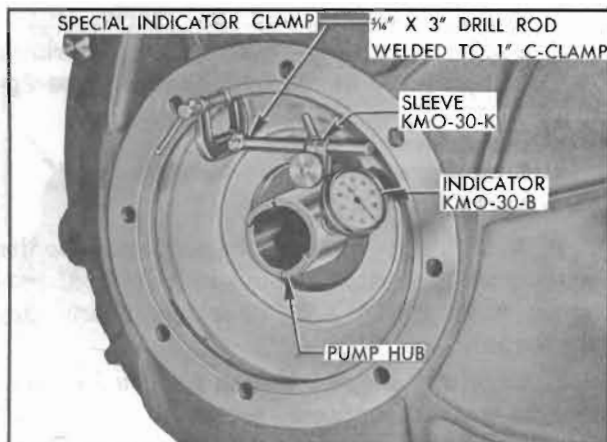


Figure 5-58—Checking Run-Out of Converter Pump Hub

so that indicator stem bears against the pump hub as shown in figure 5-58.

4. Turn flywheel and note indicator reading. Run-out of pump hub should not exceed .012". If run-out exceeds .012", replace pump and recheck run-out.

5. Attach the special dial indicator clamp to the oil pump driving lug on rear end of converter pump hub. **CAUTION: Do not clamp to bearing surface on hub.** Mount Dial Indicator KMO-30-B to bear against rear face of housing at a radius of $3\frac{3}{4}$ ". See figure 5-59.

6. Turn flywheel, making sure that crankshaft end thrust is held in one direction, and note run-out of housing face as shown by dial indicator. Run-out should not exceed .005".

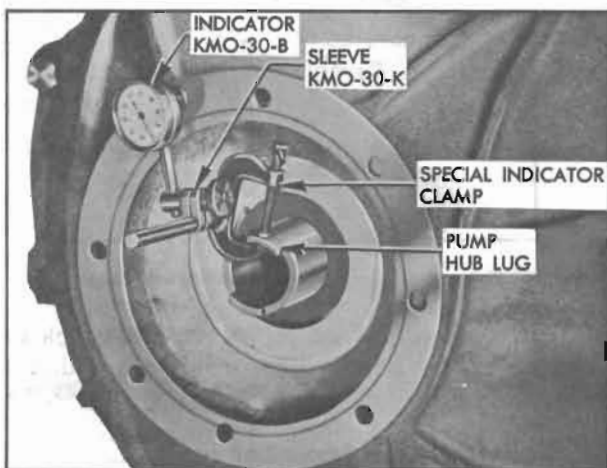


Figure 5-59—Checking Run-Out of Rear Face of Bell Housing

7. If run-out of housing face exceeds .005", cement paper shims of proper thickness to rear face of crankcase to bring run-out of housing face to .005" or less, with all bolts securely tightened.

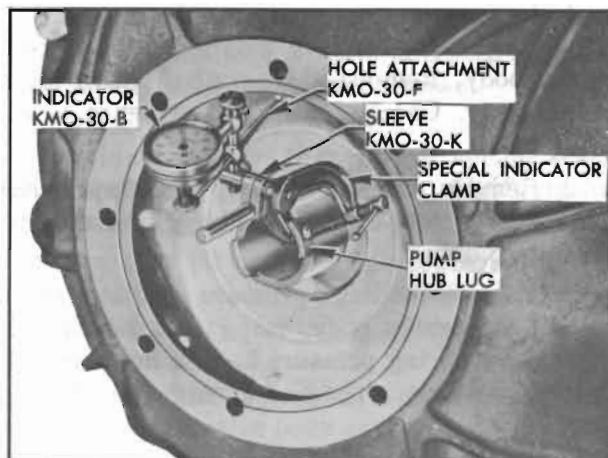


Figure 5-60—Checking Run-Out of Bell Housing Pilot Hole

8. Mount dial indicator and Hole Attachment KMO-30-F to bear against inner edge of pilot hole in housing. See figure 5-60. Run-out of pilot hole should not exceed .004".

9. If run-out of pilot hole exceeds .004", remove housing, remove the two dowels, and reinstall housing, leaving bolts just loose enough to permit shifting housing by tapping with a lead hammer.

10. Set up dial indicator as shown in figure 5-60 and bring pilot hole of housing within .004" run-out by tapping in required direction with lead hammer. If it is not possible to move housing far enough, remove housing and drill bolt holes with $\frac{1}{2}$ " drill. When housing is placed so that pilot hole run-out is .004" or less, tighten all bolts securely.

11. Ream the two dowel holes through housing and crankcase, using Ratchet J 808-6 with tapered Reamer J 2548-3 ($1\frac{7}{32}$ ") until this reamer bottoms in hole, then finish with bottoming Reamer J 4710-6 to provide full size to bottom of hole.

12. Remove converter housing and install oversize dowels J 808-5 in crankcase.

5-17 DISASSEMBLY, INSPECTION, ASSEMBLY OF VALVE AND SERVO BODIES

a. Disassembly of Valve Body

CAUTION: The valves have sharp edges which can cut fingers if improperly handled. As these parts are removed wrap them separately in clean cloths to avoid damage through contact with other parts.

1. Remove safety nuts and washers from studs, then lift the valve body and gasket from servo body. Remove shift control valve from valve body. Check gasket for evidence of oil leakage.

2. Remove the rear pump delivery check valve and spring from servo body to avoid losing these nuts.

3. Remove the large pressure regulator valve plug from valve body, using care because of the heavy spring pressure behind the plug. Remove the two springs and spring seat. See figure 5-64.

4. Remove the small valve plug and remove the pressure regulator valve from body.

5. Remove valve body plate and gasket, then remove the front pump delivery check valve and spring. Check gasket for evidence of oil leakage.

b. Disassembly of Servo Body

1. Remove nut and lockwasher which attaches the lower valve operating lever and linkage adjusting lever to the upper lever shaft and remove levers.

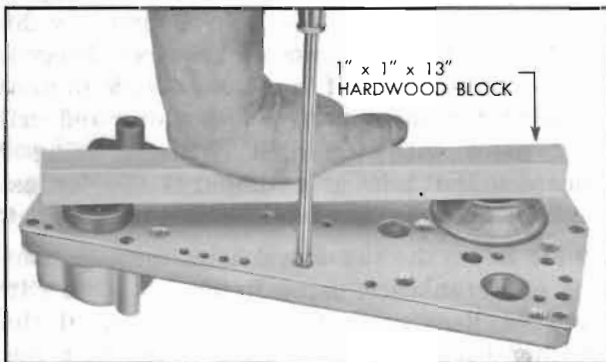


Figure 5-61—Removing Servo Body Spacer Plate

2. Remove servo body spacer plate attaching screw at reverse servo which is in line with the low servo then place a 1"x1"x13" wooden block across the low and reverse servo spring seats. See figure 5-61.

3. Hold the block down firmly while removing the remaining spacer plate attaching screws, then carefully release pressure on block to allow servo springs to expand. This operation must be done carefully to avoid springing the spacer plate or letting the servo springs fly out. Remove spacer plate and gasket. Check gasket for indication of oil leakage.

4. Remove reverse and low servo piston spring seats, springs and pistons. Remove check ball from reverse servo feed channel. See figure 5-63.

c. Cleaning and Inspection of Valve and Servo Parts

1. Thoroughly wash valve and servo bodies with clean solvent, dry and blow out all passages with air. Wash other parts and dry thoroughly.

2. Carefully inspect bodies for cracks, damage to gasket surfaces, scores in piston and valve cylinders, or other damage which would render these parts unfit for use.

3. Inspect surfaces and shoulders of shift control valve and pressure regulator valve. Surfaces must be free of nicks, scores, or deep scratches. A valve must be replaced if the sharp edges of shoulders are marred or rounded because such conditions will permit fine particles of foreign matter to work in between the part and the body and cause sticking. Check valves on surface plate and replace if bent.

4. Worn or damaged piston seals should be replaced. When a new seal is installed on a piston make sure that the lip fits over the smaller diameter land. See figure 5-62.

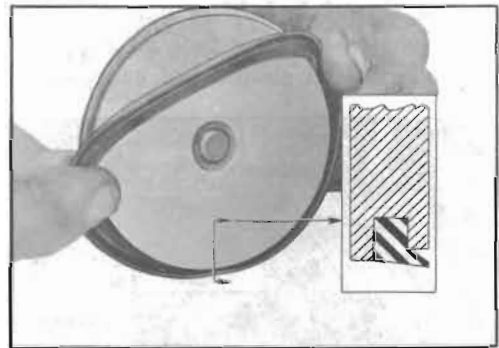


Figure 5-62—Installation of Servo Piston Seal

5. Thoroughly clean oil screen and check for any cracks or holes which would allow dirt to pass through.

d. Assembly of Servo Body

1. Oil and install the low and reverse servo piston assemblies in servo body. To avoid curling or damaging edge of piston seal, start each piston into cylinder at an angle then turn piston slightly as it is straightened and pushed into cylinder. See figure 5-63. Check pistons for free movement in cylinders.

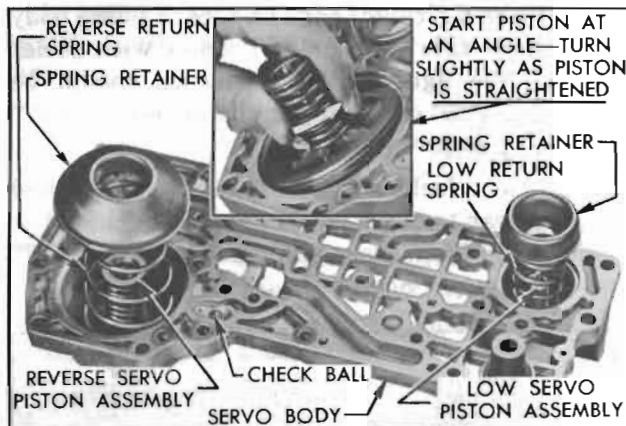


Figure 5-63—Parts Installed in Servo Body

2. Install the small return spring with small end against the low servo piston. Install the large return spring with the large end against the reverse servo piston. Place spring seats on upper ends of both springs. See figure 5-63.

3. Place check ball in reverse servo feed channel. See figure 5-63.

4. Install a *new* spacer plate gasket and place spacer plate in position over spring seats. Place a 1"x1"x13" wooden block across spring seats to compress the springs while installing the spacer plate screws (fig. 5-61). Tighten screws uniformly to avoid distorting spacer plate.

5. Insert valve operating upper lever shaft through bearing in servo body. With upper lever pointing toward the reserve servo, place lower lever with linkage adjusting lever on shaft so that forked end of lower lever points to the low servo, then install lockwasher and nut.

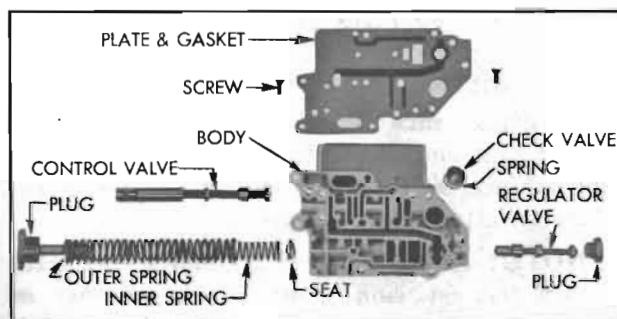


Figure 5-64—Valve Body Disassembled

e. Assembly of Valve Body

1. Place front pump delivery check valve spring in body with large end down and place check valve on spring with ridged side up. See figure 5-64.

2. Install valve body plate and a *new* gasket, making sure that check valve is seated against plate and is not caught under gasket.

3. Place the pressure regulator spring seat on the inner spring, then install spring seat, inner and outer springs and the large plug in valve body. Tighten plug to 20-25 ft. lbs. torque.

4. See that oil orifice in pressure regulator valve end land is clear, then install valve with this land outward. Install plug and tighten to 20-25 ft. lbs. torque.

5. Install shift control valve with slotted end on same end of valve body as the large pressure regulator plug.

6. Install rear pump delivery check valve in its seat in servo body, ridged face inward, and place valve spring on valve with large end up.

7. Install a *new* gasket and the valve body on servo body, using care to keep pump delivery check valve spring below the gasket, then install plain washers and safety nuts on two studs adjacent to the control valve. Tighten stud nuts evenly to 11-15 ft. lbs. torque.

8. See paragraph 5-23 (g) for installation of valve and servo bodies.

5-18 DISASSEMBLY, INSPECTION, ASSEMBLY OF REACTION SHAFT FLANGE AND OIL PUMPS

a. Disassembly of Front Oil Pump and Reaction Shaft Flange

1. Remove high and low accumulators from reaction shaft flange, using care to prevent the retaining pin and check ball from dropping out of high accumulator and being lost. Check gaskets for indication of oil leakage.

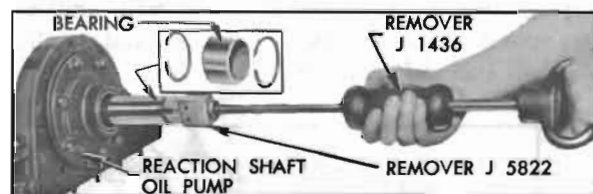


Figure 5-65—Removing Input Shaft Bearing

2. Inspect the input shaft bearing in front end of reaction shaft. If bearing is damaged or excessively worn, remove outer retaining ring and then remove the bearing, using Remover J 5822 installed on Remover J 1436. See figure 5-65. Oil pump must be in place to support the reaction flange during bearing removal.

If inner retaining ring remained in place in shaft make sure it is firmly seated in its groove; otherwise replace it.

3. Check front oil pump bolts to make sure they are tight. Loose bolts would be the cause of oil leakage around the pump. Remove front oil pump body and gears, tapping body lightly with mallet to free it, if necessary.

4. Remove front oil pump cover and gasket from reaction shaft flange, and check gasket for evidence of oil leakage.

5. If the check ball located in clutch feed passage of reaction shaft flange is free to drop out, remove ball to avoid loss in handling parts. Do not remove if securely retained by peened edge of hole.

b. Cleaning and Inspection of Front and Rear Oil Pumps

1. Wash pump parts in clean solvent and dry thoroughly.

2. Check mounting faces of pump bodies, gears, front pump cover and rear pump cover plate for excessive wear.

3. Inspect front oil pump bushing. If bushing is loose or excessively worn replace the pump assembly.

4. If front oil pump bushing is loose or excessively worn, or pump was noisy always check for flywheel run-out, converter pump hub run-out, and misalignment of converter housing as described in paragraph 5-16.

5. Inspect the front pump oil seal but replace it only if there is definite evidence of leakage or damage. Drive out defective seal with a punch. Lightly coat outside of new seal with No. 3 Permatex, or an equivalent type of non-hardening sealer, start seal squarely into pump body with deep groove in seal retainer outward and tap into place with hardwood block and mallet. Wipe off excess Permatex.

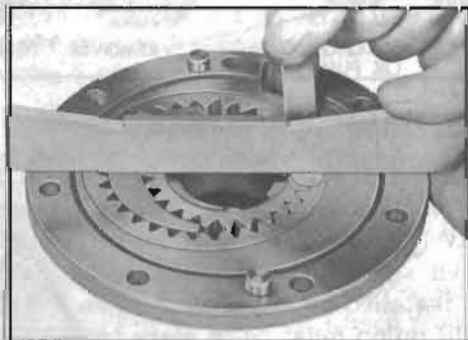


Figure 5-66—Checking Side Clearance of Gears in Pump Body

6. Place a straight edge on face of pump body and check side clearance of gears with feeler gauge. See figure 5-66. Clearance should be .001" to .0025" on front pump and .001" to .002" on rear pump.

7. Insert feeler gauge between crescent and driven gear to check clearance, which should be .005" to .009" on front pump and .0045" to .007" on rear pump. See figure 5-67, view A.

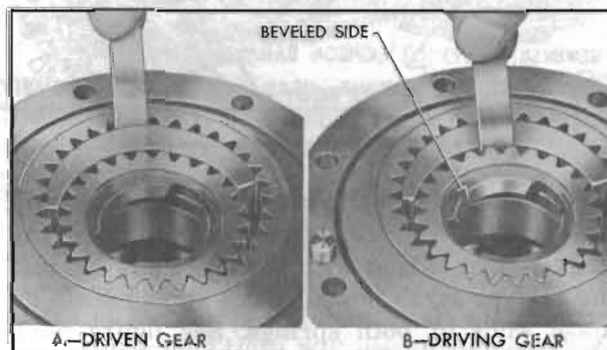


Figure 5-67—Checking Clearance Between Crescent and Gears

8. Insert feeler gauge between crescent and driving gear to check clearance, which should be .010" to .016" on front pump and .006" to .012" on rear pump. See figure 5-67, view B.

9. Check front pump cover and rear pump cover plate for depth of wear caused by the gears. Replace the part if depth of wear exceeds .001" or surface is scored.

c. Cleaning and Inspection of Reaction Shaft Flange

1. Wash flange in clean solvent, dry thoroughly and blow out all passages with air.

2. Inspect surfaces of reaction shaft flange and transmission case for nicks or burrs and remove with mill file.

3. Inspect race for clutch drum roller bearing on rear end of reaction shaft. If this bearing surface is worn excessively or scored, replace reaction shaft flange.

NOTE: If reaction shaft flange is replaced, stamp transmission identification number in lower edge of new part in same place as on original flange. See figure 5-1.

4. Check all studs for tightness and replace any with damaged threads. If stud threads are stripped in reaction shaft flange, it will be necessary to tap out the hole for installation of step studs which are available. The $\frac{5}{16}$ "-18 step studs have a $\frac{3}{8}$ "-16 thread on the flange end.

5. Inspect the oil sealing rings on hub of reaction shaft flange and replace if damaged in any way.

d. Assembly of Front Oil Pump and Reaction Shaft Flange

1. If old input shaft bearing was removed, first make sure that inner retaining ring is firmly seated in groove in reaction shaft, then install a new bearing using Installer J 5816. Support shaft on wooden block to avoid damage and drive bearing into place with light hammer until shoulder of tool contacts reaction shaft. See figure 5-68. Install outer retaining ring.

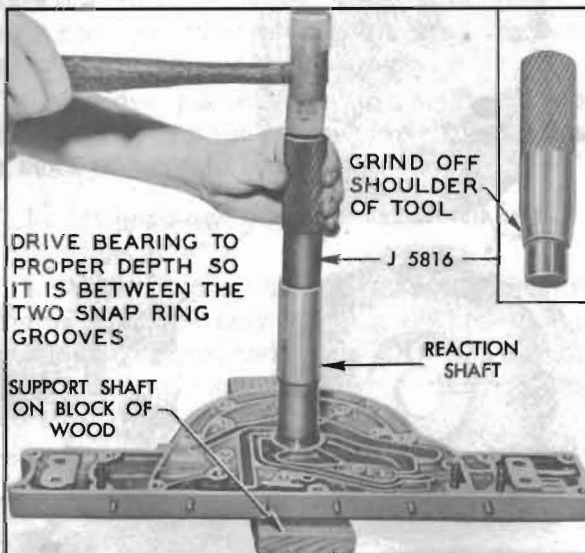


Figure 5-68—Installing Input Shaft Bearing

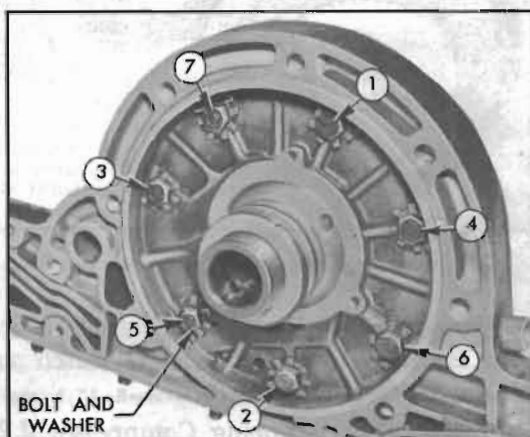


Figure 5-69—Front Oil Pump Tightening Sequence

2. Install check ball in clutch feed passage if ball was removed, then install a new gasket and the pump cover on reaction shaft flange.

3. Lubricate and install gears in front pump body. The driving gear must be installed with the beveled side outward so that this side will be against the cover when pump is installed. See figure 5-67. *Reversing this gear in pump body will result in severe damage to the transmission.*

4. Install oil pump on cover so that the two dowel pins and the bolt holes match holes in cover, then install bolts with lockwashers. Tighten bolts to approximately 5 ft. lbs. torque in the sequence shown in figure 5-69 and then tighten in same sequence to 25-30 ft. lbs. Bend a tang of each lockwasher up against flat of bolt head. Tighten cover attaching stud nut to 25-30 ft. lbs. torque.

5. See paragraph 5-23 (f) for installation of front pump and reaction shaft flange assembly.

5-19 DISASSEMBLY, INSPECTION, ASSEMBLY OF ACCUMULATORS

1. Remove retaining pin and check ball from high accumulator body. The low accumulator does not have the check ball.

2. Remove the pipe plug, cap, gasket, spring (2 in low) and piston from accumulator body. Keep parts separated so that same parts will be reinstalled in same body. See figure 5-70.

3. *On high accumulator only*, remove clamp bolt, lever, bearing with seal, gasket, thrust washer and control valve crank from accumulator body, then remove valve stop with gasket, control valve and spring. See figure 5-70.

4. Wash accumulator parts in clean solvent, dry thoroughly, and blow out all passages with air. Examine all parts of each accumulator for excessive wear, scoring, or other damage.

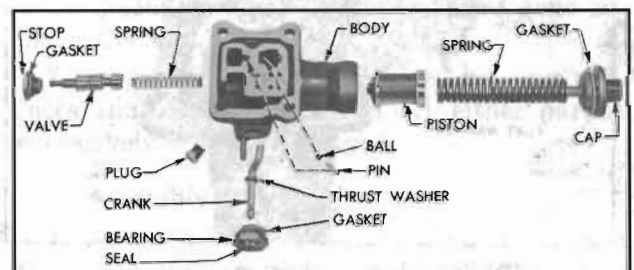


Figure 5-70—High Accumulator—Disassembled

5. Remove any nicks or burrs from pistons or valve with an Arkansas stone; however, *do not round the sharp edges of lands on pistons and valves*. If the sharp edges are marred or rounded foreign particles may wedge between the part and the body and cause sticking.

6. With parts clean and dry, install pistons and check for free sliding as body is tipped back and forth.

7. Check mounting surface of body with a straight edge. If surface is uneven it may be trued up by moving body in a circular motion over emery cloth placed on a surface plate. Thoroughly wash body to remove all traces of emery.

8. If the body or piston is worn or damaged, or piston does not slide freely in body after all burrs are removed, replace accumulator assembly. The body and piston are not furnished separately for service replacement.

9. Lubricate each piston and install it in the accumulator body from which it was removed. Start piston squarely into body; *do not tap or force it into body.*

10. Install proper piston springs in each body. The high accumulator uses one heavy spring approximately $4\frac{5}{16}$ " long. The low accumulator uses one shorter heavy spring and one inner spring. Install caps with new gaskets but these will be tightened later—*do not clamp accumulator in vise to tighten cap.*

11. *On high accumulator only,* install spring, control valve and stop, then install crank with thrust washer, bearing with new gasket and seal (grooved side inward), operating lever and clamp bolt. See figure 5-70.

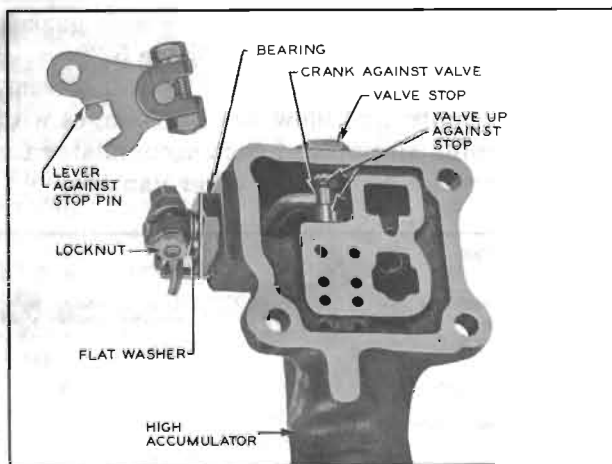


Figure 5-71—Valve Operating Lever Adjustment

12. Adjust operating lever on crank so that lever contacts its stop and the crank contacts the valve with valve in extreme upper position, then tighten the clamp bolt. See figure 5-71.

13. Install pipe plugs in both accumulator bodies and install check ball and retaining pin in the high accumulator body. See figure 5-65.

14. See paragraph 5-23 (f) for installation of accumulators.

5-20 DISASSEMBLY, INSPECTION, ASSEMBLY OF CLUTCH

a. Disassembly of Clutch

1. Remove reaction gear flange retainer ring with screwdriver and remove the 6 flange driving keys with pointed tool. See figure 5-72.

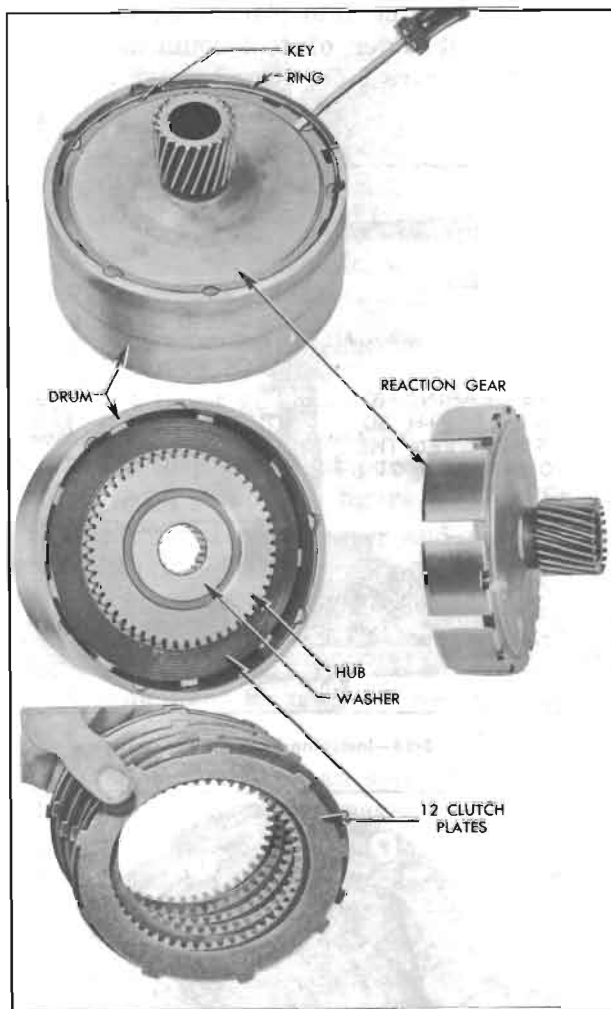


Figure 5-72—Removal of Reaction Gear, Hub, and Plates

2. Remove the low range reaction gear, thrust washer, clutch hub, and 12 clutch plates from drum. See figure 5-72.

3. Install Clutch Spring Compressor J 2590 in assembled drum, placing the slot in compressor ring over the ends of spring seat retaining ring. Compress clutch spring sufficiently to remove the retaining ring. See figure 5-73.

4. Release pressure on clutch spring, making

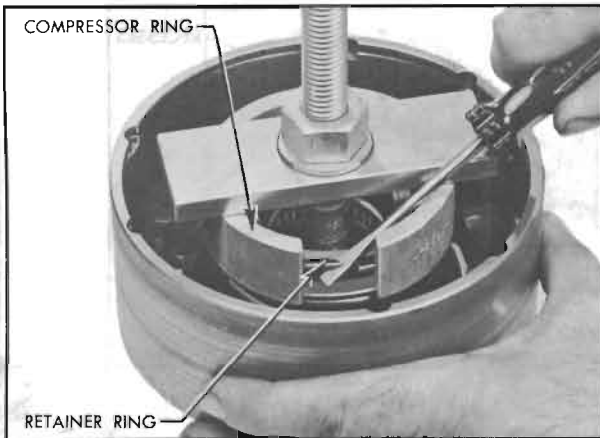


Figure 5-73—Using Clutch Spring Compressor J 2590

sure that spring seat does not engage retaining ring groove in drum, then remove spring compressor, spring seat and spring.

5. Remove piston from drum. It may be necessary to rap the open end of drum against a block of wood to remove the piston.

b. Cleaning and Inspection of Clutch and Input Shaft

1. Wash all parts in clean solvent and dry thoroughly. Use only gasoline or kerosene to clean clutch plates and bands—DO NOT use any chemical degreasers or other commercial solvents.

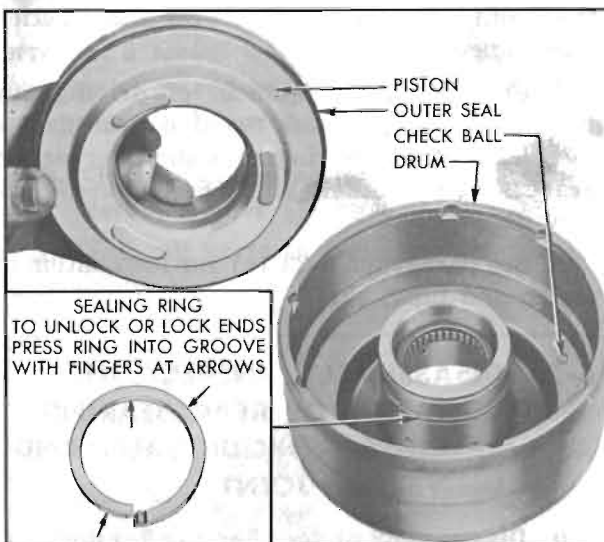


Figure 5-74—Removal of Clutch Piston and Oil Sealing Ring

2. Inspect all clutch plates and replace any that are scored, burned, warped or worn excessively. Check fit of any new internally splined plates on clutch hub to make certain that they slide freely on hub. Tight plates will prevent full disengagement of the clutch.

3. Inspect drum for cracks or scores. Inspect oil sealing ring on hub of drum and replace if damaged. To remove ring, apply finger pressure at points indicated by arrows in figure 5-74, in order to unlock the ends by depressing one end and raising the other. Use the same method to lock the ends during installation of new ring.

4. Inspect clutch piston outer seal and replace if hardened, broken, or has turned edges. Install new seal with lip extending over the smaller diameter land of piston. See figure 5-75.

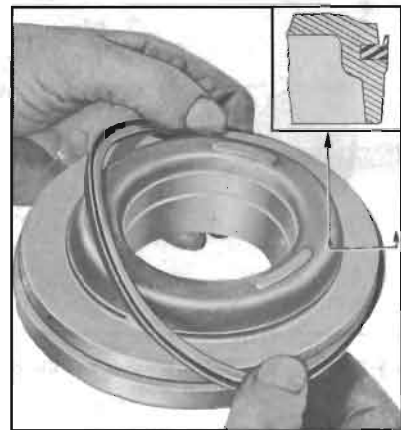


Figure 5-75—Replacement of Clutch Piston Outer Seal

5. Make sure that small bleed hole in drum is open and that check ball is staked in place but free to move in recess. If needle bearing in drum is excessively worn or scored carefully remove it and install a new one, using Installer J 5191. This tool will locate bearing flush with shoulder in drum. Place numbered end of bearing, which is hardened, toward shoulder of tool to avoid distortion of cage.

6. Inspect the low band. If band lining is worn smooth so that the grooves are gone replace the band.

7. Inspect input shaft splines, bearing surfaces and oil seal rings. Replace either part if excessively worn or damaged.

c. Assembly of Clutch

1. Apply light oil to the piston outer seal and the inside of drum, then install piston carefully to avoid distorting or turning the lip of seal. When piston is fully installed in drum, the top of piston will be approximately flush with the shoulder on inside of drum.

2. Place clutch spring in piston and place spring seat and seat retaining ring on spring. Install Clutch Spring Compressor J 2590 (fig. 5-73) and compress spring until the retaining

5-54 DISASSEMBLY OF UNITS**DYNAFLOW TRANSMISSION**

ring can be snapped into the groove in hub of drum, then remove the spring compressor.

3. Place reaction gear on bench with flange upward, then install clutch hub thrust washer and clutch hub over the hub of reaction gear, with open end of clutch hub facing up. See figure 5-76.

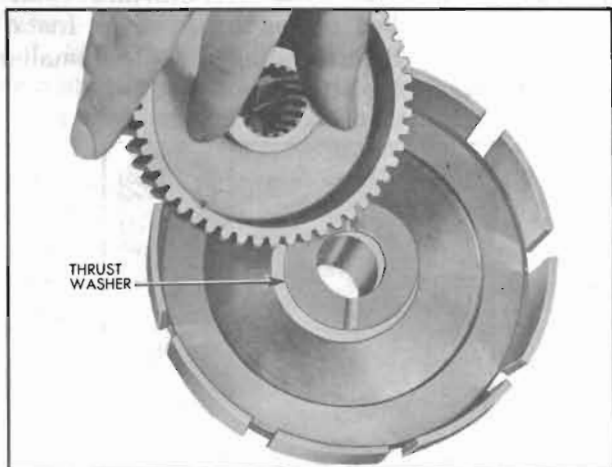


Figure 5-76—Installing Thrust Washer and Clutch Hub in Reaction Gear

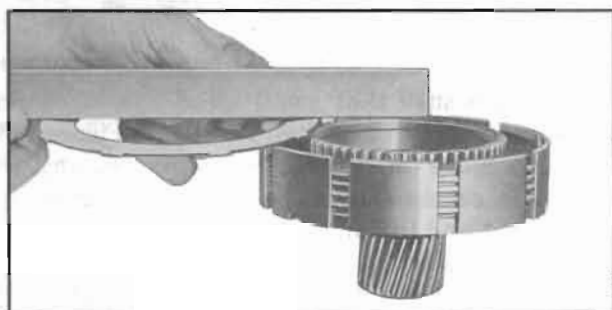


Figure 5-77—Checking "Dished" Side of Externally Splined Clutch Plate

4. Separate the internally splined (faced) clutch plates from the externally splined (plain steel) clutch plates. Internally splined plates are flat and may be installed in either direction. Externally splined plates are "dished" and all these plates must be installed with the "dish" in the same direction; however, the "dish" may be either up or down. Check each plate for "dish" with a straight edge, figure 5-77, and stack plates so that all are "dished" in same direction.

5. Install an internally splined clutch plate over clutch hub, next to gear flange, then install an externally splined plate. Alternately install the remaining plates, making sure that externally splined plates are "dished" in same direction. If properly installed, the top plate will be externally splined.

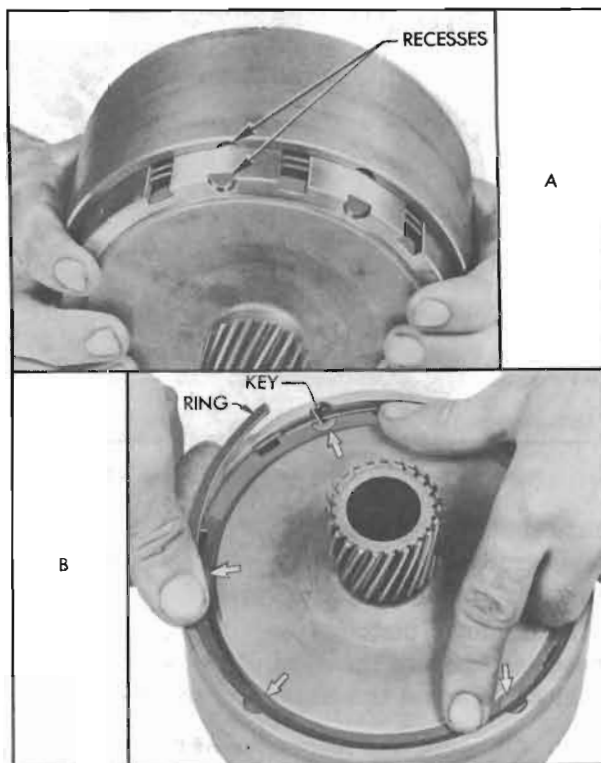


Figure 5-78—Installing Drum Over the Reaction Flange Gear

6. Place the drum and clutch piston assembly over the reaction gear flange so that the driving key recesses in drum and flange are approximately aligned. See figure 5-78, view A. Press the drum evenly into place over the reaction gear flange.

7. Complete the alignment of driving key recesses by tapping the reaction gear flange, then install the 6 driving keys and the reaction gear flange retainer ring. See figure 5-78, view B.

8. See paragraph 5-23 (e) for installation of clutch and input shaft.

5-21 DISASSEMBLY, INSPECTION, ASSEMBLY OF REAR BEARING RETAINER, TORQUE BALL, AND UNIVERSAL JOINT

a. Disassembly of Rear Bearing Retainer

1. Remove spring from detent roller lever and support inside the rear bearing retainer, remove adjusting lever on outside of retainer, then remove lever and support assembly. See figure 5-79.

2. Disconnect the parking lock operating rod from the cross shaft by unscrewing the rod

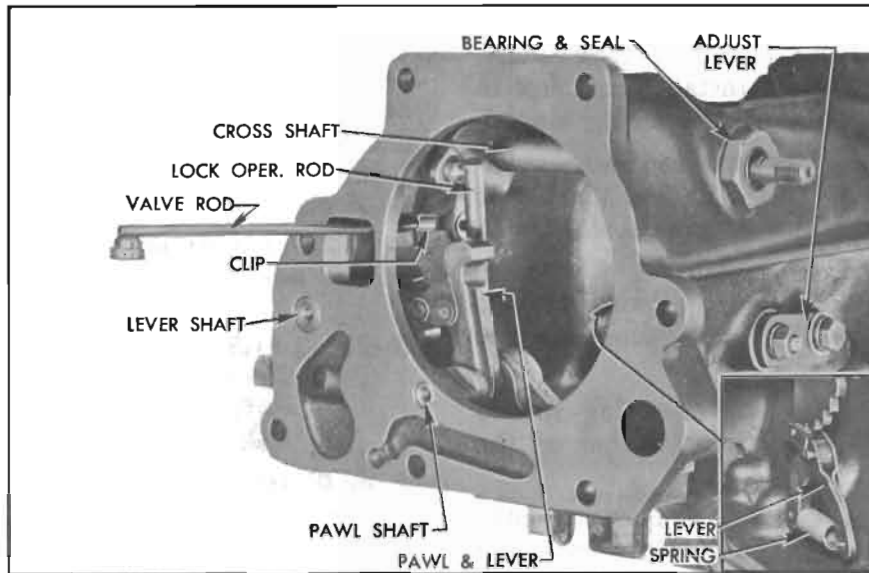


Figure 5-79—Parts in Rear Bearing Retainer

end from cross shaft lever. The rod end is provided with a lockwasher. See figure 5-79.

3. Push clip from valve operating rod to remove clip and rod from cross shaft.

4. Screw a $\frac{1}{4}$ "-20 bolt into the parking lock operating lever shaft and the lock pawl shaft and pull these parts from bearing retainer, then remove the lock pawl and lever assembly. See figure 5-79.

5. Remove cross shaft bearing, using a box wrench; a socket which does not fully engage bearing, or an end wrench will distort the bearing. Remove the cross shaft.

b. Cleaning and Inspection of Rear Bearing Retainer Parts

1. Wash all parts in clean solvent and dry thoroughly.

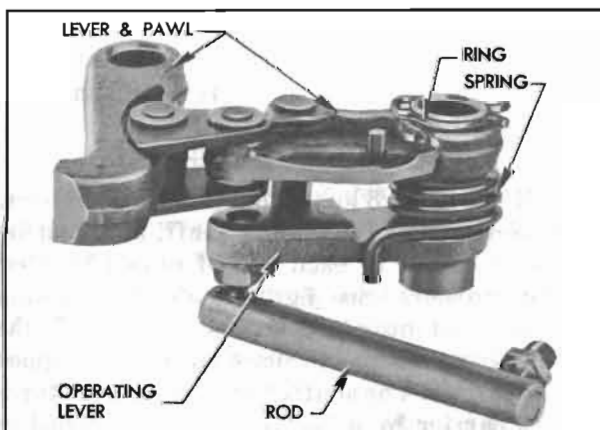


Figure 5-80—Parking Lock Pawl and Lever Assembly

2. Inspect valve operating cross shaft and bearing for excessive wear. Remove the rubber seal from bearing and discard it.

3. Inspect the rear bearing for roughness or excessive wear.

4. Inspect the parking lock pawl and ratchet wheel for cracks and worn teeth that would prevent positive locking.

5. If any parking lock parts need to be replaced, remove the retainer and separate the parts. When reassembled, the parts must be located as shown in figure 5-80.

c. Inspection and Repair of Universal Joint and Torque Ball Parts

1. Inspect universal joint for wear and play between spider pins and the bushings. Allowable play is .002" to .004".

2. Check fit of universal joint yokes on the output and propeller shafts. Allowable backlash of rear yoke on propeller shaft splines is .0005" to .0045". The front yoke must be a tight fit, rotatively, on output shaft to prevent "snap" when alternating car movement between forward and reverse.

3. Inspect rear yoke of universal joint. Rear yoke and bushing in torque ball must be free of scores and not worn excessively; clearance between these parts should be .004" to .006".

4. Clean and inspect spherical surfaces of both retainers and rubber on torque ball. If these are scored, pitted or torn the parts should be replaced. See paragraph 4-12 for procedure for removing and installing torque ball.

d. Assembly of Rear Bearing Retainer

1. Install the valve operating cross shaft, and cross shaft bearing. Install a *new* seal in the bearing, with grooved side facing inward.

2. Install parking lock pawl and lever assembly in rear bearing retainer, then install the lock pawl shaft and operating lever shaft with tapped ends outward. See figure 5-79.

3. Attach valve operating rod with retainer clip to cross shaft lever and snap clip into place over the rod.

4. Connect parking lock operating rod to cross shaft lever, using a lockwasher on the threaded rod end.

5. Install detent lever and support assembly with *new* seal in groove of shaft, then install linkage adjusting lever on shaft with nut and lockwasher.

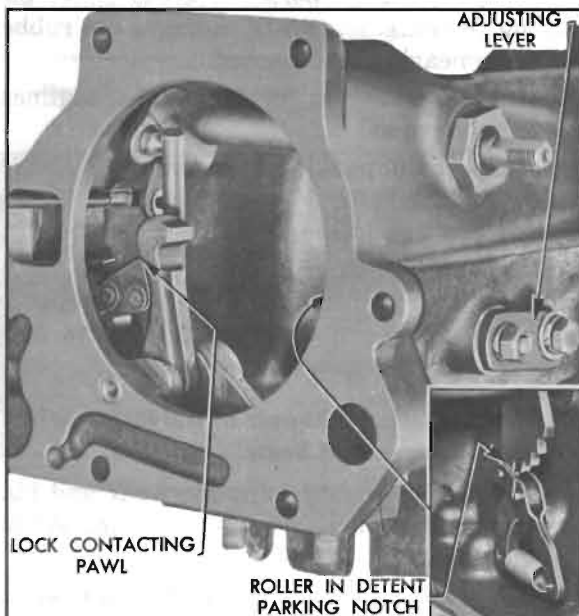


Figure 5-81—Shift Detent Adjustment

6. Attach adjusting lever to bearing retainer with bolt, plain washer and lockwasher, but do not tighten until the following detent adjustment is made.

7. Temporarily install shift lever on cross shaft and shift parking pawl into Parking position. See figure 5-81.

8. Shift the linkage adjusting lever at slotted end until the pawl lock contacts the parking pawl, then tighten adjusting lever lock bolt, being certain to maintain contact between lock and pawl. See figure 5-81.

9. Move shift lever back and forth to check detent adjustment. Parking lock must contact parking pawl when detent roller is in deepest portion of parking notch of detent lever and should break contact at same instant that detent roller starts to move toward neutral position.

10. See paragraph 5-23 (d) for installation of rear bearing retainer.

5-22 DISASSEMBLY, INSPECTION ASSEMBLY OF PLANETARY GEAR SET AND TRANSMISSION CASE

a. Disassembly of Planetary Gear Set

1. Remove three planet carrier screws and special lockwashers, using a $\frac{7}{32}$ " hexagon (Allen) wrench. See figure 5-82. A used universal joint front yoke may be placed on output shaft and held with a bar while loosening the screws.



Figure 5-82—Removing Planet Carrier Screws

2. Separate the front and rear ends of planet carrier by carefully tapping around the front flange while holding the unit clear of bench.

3. Remove the sun gear rear thrust washer, which may be either on sun gear or stuck in rear end of carrier. Remove reverse sun gear. See figure 5-83.

4. Remove needle thrust bearing.

5. Remove the 3 low planet pinion assemblies, each consisting of a pinion, shaft, and bearing rollers retained at each end of pinion by steel thrust washers. See figure 5-83. A retaining ring snapped into a groove in shaft will hold the lower thrust washer in place as shaft is tapped out of carrier. The shaft is prevented from turning in carrier by a $\frac{3}{32}$ " steel ball imbedded in end of shaft. Do not lose the steel ball.

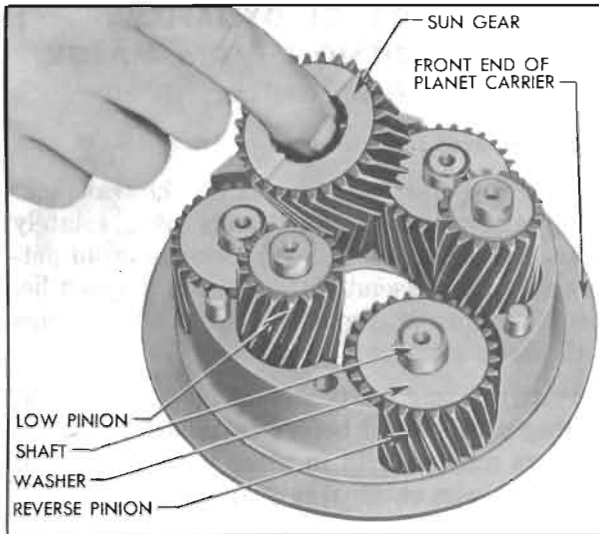


Figure 5-83—Removal of Sun Gear and Planet Pinions

6. Remove the 3 reverse planet pinion assemblies which are similar to the low planet pinion assemblies and are removed in the same manner.

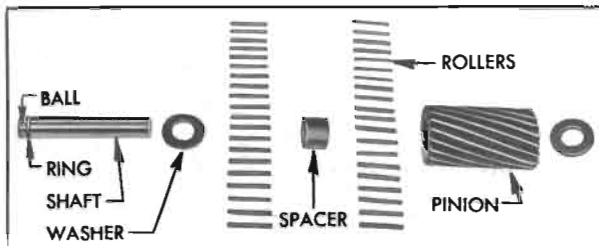


Figure 5-84—Low Planet Pinion, Disassembled

7. Remove the thrust washers and shafts from pinions, then remove the bearing rollers. Note that the reverse planet pinions have a single set of rollers and the low planet pinions have two sets of rollers separated by a spacer. See figure 5-84.

b. Cleaning and Inspection of Planetary Gear Set

1. Wash all parts in clean solvent and dry thoroughly.
2. Carefully inspect shaft and rollers for excessive wear. Replace if worn.
3. Inspect reverse ring gear, sun gear, and pinions for wear; remove any nicks or burrs with Arkansas stone.
4. Inspect bushing in rear end of planet carrier, and replace it if worn or scored. The bushing may be removed with Bushing Remover J 3197 and new bushing may be installed, either end first, by using Bushing Replacer J 2996. See figure 5-85. Reaming to size is not required.

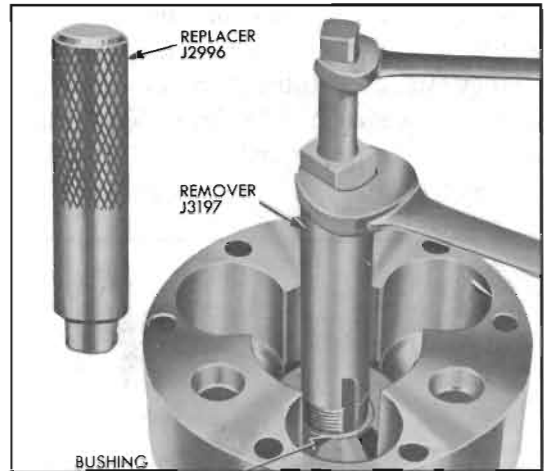


Figure 5-85—Removing Planet Carrier Bushing

5. Inspect reverse band and replace it if cracked or lining is worn so that grooves are gone. Inspect reverse band anchor for cracks.

c. Cleaning and Inspection of Transmission Case

1. Wash case thoroughly and blow out all passages.
2. Carefully inspect case for cracks, breaks, and stripped threads in bolt holes.
3. Inspect all machined surfaces for nicks or burrs and smooth off with a mill file.
4. Inspect the bushing for wear and scoring. Insert planet carrier into bushing and check clearance with feeler gauge. If clearance is excessive due to wear of bushing, replace the bushing.

5. To remove old bushing, place case over an opening with rear end down and drive bushing from case with Remover J 3175-1. To install new bushing place J 3175-2 in rear oil pump recess of case to serve as a pilot, slip bushing over J 3175-1 and drive bushing into case from front side until bushing is flush with front surface of wall which supports the bushing. Bushing must be installed with the wide deep ends of oil grooves toward rear side of case. See figure 5-86.

d. Assembly of Planetary Gear Set

1. Re-assemble planet pinions and shafts with bearing rollers and thrust washers. The bottom thrust washer goes between retaining

ring on shaft and the end of pinion. Each reverse planet pinion contains 24 rollers. Each low planet pinion contains 20 rollers at each end separated by a spacer. See figure 5-84. Place a thrust washer on upper end of each assembly to hold rollers in place.

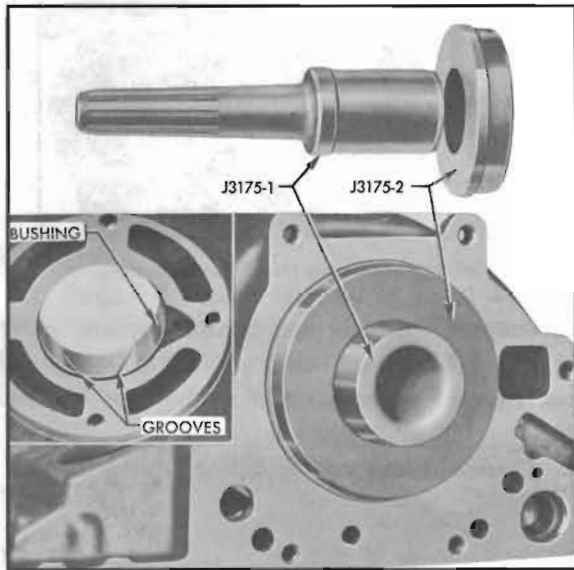


Figure 5-86—Transmission Case Bushing Remover and Replacer J 3175

2. Make sure that steel ball is embedded in each shaft to prevent turning in carrier, then install planet pinion assemblies in front end of planet carrier, using care to engage the steel balls in the notches in carrier. See figure 5-83.

3. Install reverse sun gear and place bronze thrust washer on top of gear and needle thrust bearing on bottom of gear. (Toward Front of Transmission).

4. Install rear end of planet carrier on the assembled front end, making sure that the assembly marks on both parts are in alignment. These marks are numbers which are placed over the parting line during production of the carrier.

5. Install the 3 screws with special lockwashers and tighten to 25-30 ft. lbs. torque with a $\frac{7}{32}$ " hexagon (Allen) wrench.

6. Install reverse ring gear on planetary gear set.

7. See paragraph 5-23 (b) for installation of planetary gear set.

5-23 ASSEMBLY OF DYNAFLOW TRANSMISSION FROM MAJOR PARTS AND UNITS

a. General Instructions

1. Before starting to assemble the transmission make certain that all parts are absolutely clean. Keep hands and tools clean to avoid getting dirt into assembly. If work is stopped before assembly is completed cover all openings with clean cloths.

2. All moving parts should be given a light coating of 10-W oil before installation. Thrust washers may be held in place with vaseline or chassis lubricant, sparingly applied.

3. *Do not take a chance on used gaskets and seals—use new ones to avoid oil leaks.*

4. Use care to avoid making nicks or burrs on parts, particularly at bearing surfaces and surfaces where gaskets are used.

5. It is extremely important to tighten all parts evenly and in proper sequence, to avoid distortion of parts and leakage at gaskets and other joints. *Use a reliable torque wrench to tighten all bolts and nuts to specified torque and in the specified sequence.*

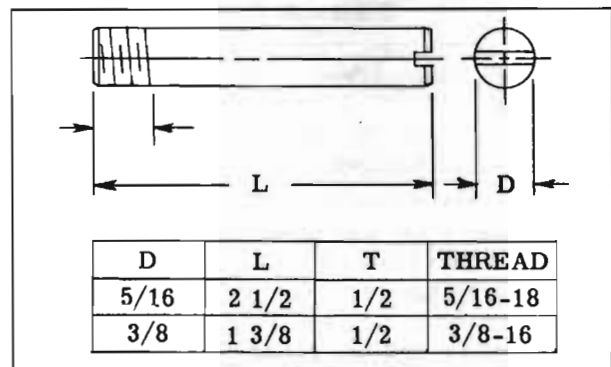


Figure 5-87—Guide Pins

6. Prepare two $\frac{5}{16}$ "x $2\frac{1}{2}$ " guide pins and two $\frac{3}{8}$ "x $1\frac{3}{8}$ " guide pins with screwdriver slot in plain end, as shown in figure 5-87. These will be used for alignment of parts during assembly.

b. Installation of Planetary Gear Set

1. Install reverse ring gear rear thrust washer in transmission case.

2. Compress ends of reverse band with Band Installing Clip J 2595 and install in case. See figure 5-88. Remove the clip. NOTE: *Reverse*

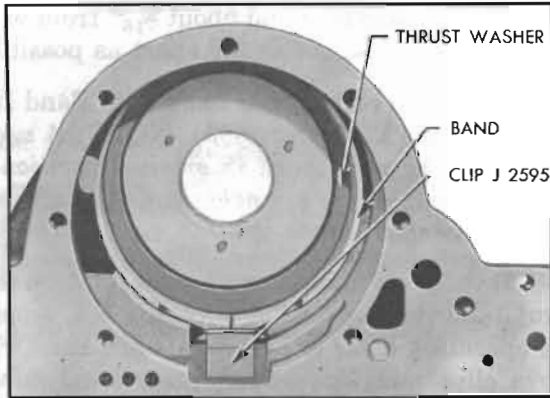


Figure 5-88—Ring Gear Thrust Washer and Reverse Band Installed

band does not have strut locating pins in ends—low band has pins.

3. Rotate the reverse band toward servo opening, insert anchor through opening and engage with hooked end of band, then rotate band and anchor back to normal position.

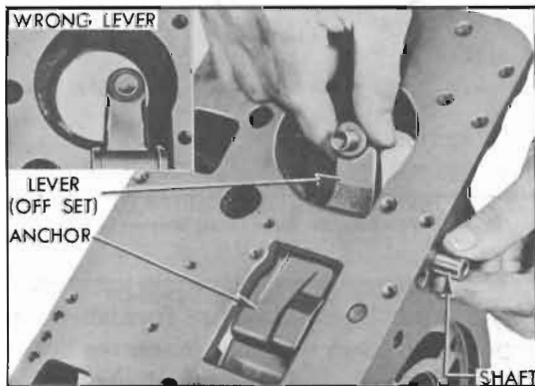


Figure 5-89—Installing Reverse Band Operating Lever and Shaft

4. Hold band operating lever (with offset end) in place with strut shoulder toward inside of case, and insert anchor shaft through case, anchor, and lever. *Tapped end of shaft must be outward.* If adjustment screw is not centered in servo opening, the low band operating lever has been installed by mistake. See figure 5-89.

5. Install assembled planetary gear set in transmission case.

c. Installation of Rear Oil Pump and Lubrication Oil Pressure Regulator Valve

1. Place gasket and rear oil pump plate in recess in transmission case and align the bolt holes, which are not equally spaced.

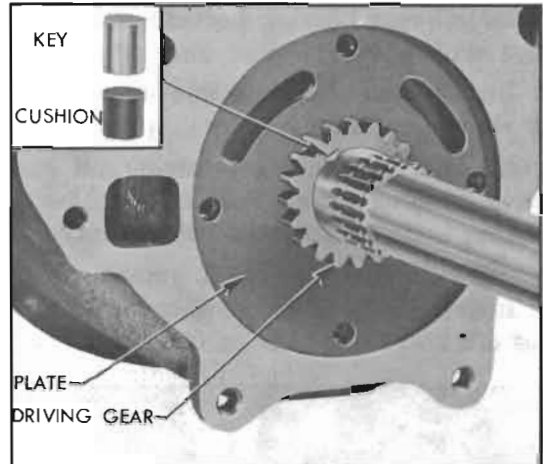


Figure 5-90—Oil Pump Driving Gear and Key Installed

2. Install oil pump drive key cushion (rubber) and drive key in output shaft, then install driving gear to engage the key. Install old gear in same position as before removal—install a new gear either way. See figure 5-90.

3. Lubricate both pump gears and pump body, then install driven gear and body over the driving gear and align bolt holes.

4. Install pump bolts with lockwashers, tighten evenly to 5 ft. lbs. torque in sequence shown in figure 5-91 (A), then tighten in same sequence to 25-30 ft. lbs. torque.

5. Turn output shaft to make sure pump operates freely.

6. Install the lubrication oil pressure regulator valve spring, valve and valve seat in transmission case.

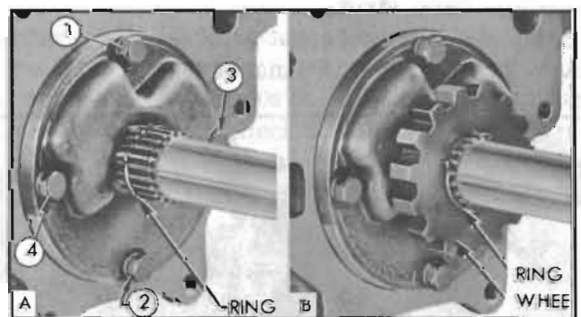


Figure 5-91—Pump Bolt Tightening Sequence—Installation of Ratchet Wheel

d. Installation of Parking Lock Ratchet Wheel and Rear Bearing Retainer

1. Install a retaining ring in the forward groove in output shaft, install ratchet wheel, then install retaining ring in rearward groove in output shaft. See figure 5-91.

2. Install rear bearing horseshoe washer on output shaft.

3. Install rear bearing and rear bearing snap ring in retainer.

4. Install rear bearing retainer and gasket on transmission case. Use lock washers on attaching bolts and tighten bolts evenly to 35-40 ft. lbs. torque.

5. Install universal point spacer on the output shaft.

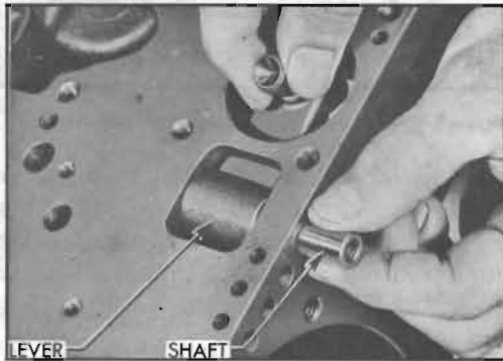


Figure 5-92—Installing Low Band Operating Lever and Shaft

e. Installation of Low Band, Clutch, and Input Shaft

1. Install the low band operating lever and shaft. Strut shoulder of lever must be toward inside of case and tapped end of shaft must be outward. See figure 5-92.

2. With the assembly standing on end of rear bearing retainer, install a wooden block (1"x2"x3½") as shown in figure 5-92. Set both low band struts in position on block, with plain ends engaging strut shoulder of operating lever and groove in anchor shaft and with

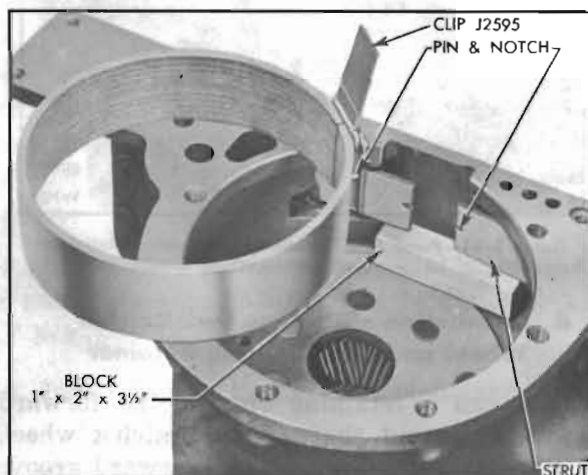


Figure 5-93—Installation of Low Band and Struts

notched ends together and about 3/16" from wall of case. Spread struts as far apart as possible.

3. Compress ends of low band with Band Installing Clip J 2595 (fig. 5-93). NOTE: A used band must be reinstalled in original position—heaviest wear will be at anchor end. A new band can be installed either way.

4. Install band in case with ends between the struts and resting on the wooden block. Apply the operating lever to hold struts and band, remove clips and block, then press band down until the locating pins engage the notches in both struts.

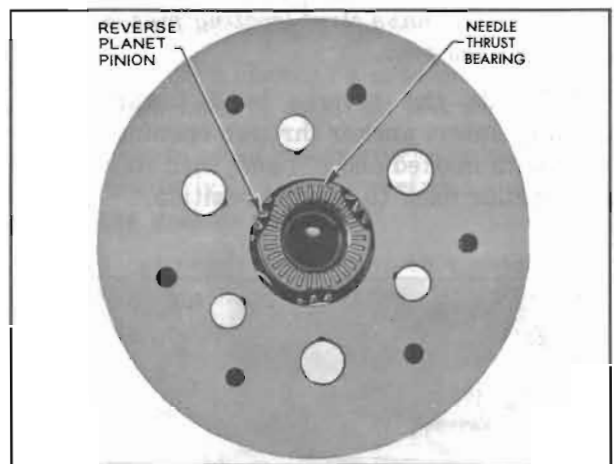


Figure 5-94—Reaction Gear Thrust Washer in Place

5. Reaction gear selective thrust washers (steel) of four thicknesses are furnished under Group 4.161. Select one that measures between .114" and .117" and install it against the needle thrust washer.

6. Stand transmission up on end of rear bearing retainer.

7. Install clutch assembly. If drum binds against low band so that clutch does not go all the way down, use a hooked wire to lift the band on side opposite struts.

8. Place bronze thrust washer on front face of clutch hub, then use a flashlight to make sure that all four thrust washers and needle thrust bearing are centrally located so that input shaft can be inserted.

9. Make sure that ends of input shaft oil seal ring are properly locked, then install input shaft. It may be necessary to wiggle the shaft to get it through all four thrust washers and needle thrust bearing.

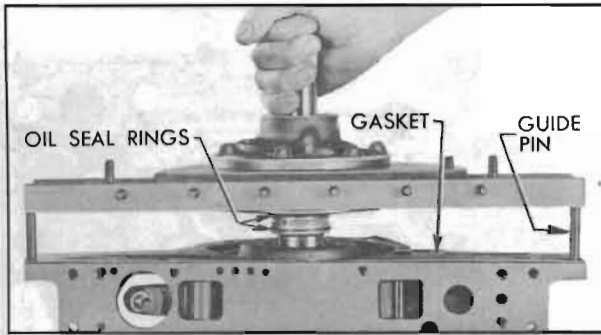


Figure 5-95—Installing Reaction Shaft Flange and Gasket

f. Installation of Reaction Shaft Flange, Front Oil Pump, and Accumulators

1. Install a $\frac{5}{16}$ " guide pin (fig. 5-87) in accumulator bolt hole at each end of flange on transmission case. See figure 5-95.

2. Place reaction shaft flange gasket in position on case so that all holes in gasket and case are aligned. *Gasket can be incorrectly installed.*

3. Install tanged bronze high clutch thrust washer on reaction flange, using chassis lube to hold it in position.

4. Make certain that oil seal rings are on flange hub, then install flange assembly on case using care to avoid damaging oil seal rings. See figure 5-95.

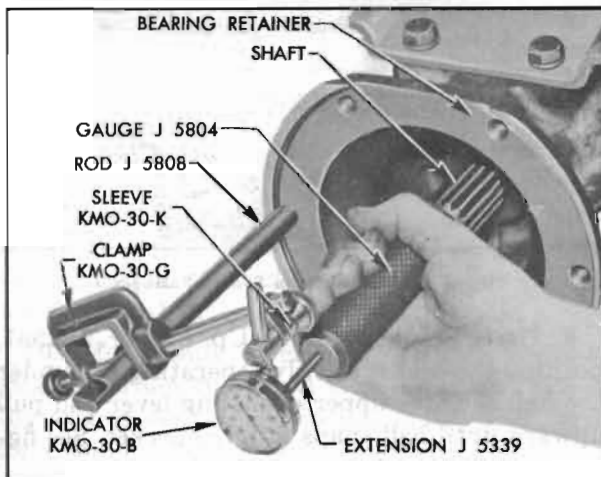


Figure 5-96—Checking Output Shaft End Play

5. Install 3 special bolts ($\frac{3}{8}$ "-16x2") with plain washers in positions marked 2, 3, 4 in figure 5-97. These bolts are for assembly purpose only. Install regular pump cover bolts and lockwashers at positions marked 1, 5, 6. Coat threads of bolt No. 5 with Permatex No. 3.

6. Tighten bolts marked 1 through 4 to 35-40 ft. lbs. and bolt 5 to 20-25 ft. lbs. in numerical sequence.

7. Thread End Play Gauge J 5804 into rear end of the output shaft and thread Extension Rod J 5808 into a bolt hole in rear bearing retainer. Tighten both tools firmly.

8. Use Clamp KMO-30-G and Sleeve KMO-30-K to mount Dial Indicator KMO-30-B and Extension J 5339 so that the extension bears squarely against the end of Gauge J 5804. See figure 5-96.

9. Push Gauge J 5804 as far forward as possible, *set dial indicator at zero*, then pull gauge rearward toward indicator with sufficient force to remove all end play from output shaft. Note indicator reading, which will be between .015" and .035" if output shaft end play is within proper limits.

10. If end play is not within the specified limits, remove reaction shaft flange, clutch assembly, and the thrust washer located between the reaction gear and the reverse sun gear. See figure 5-94.

11. Measure the thickness of removed thrust washer and substitute another one of proper thickness to bring output shaft end play within specified limits. If end play was *less* than .015" select a *thinner* thrust washer; if end play was *more* than .035" select a *thicker* thrust washer. Reinstall parts and check for specified end play.

12. Place accumulator gaskets in position so that holes match the holes in reaction shaft flange. Install low accumulator on same side as low band operating lever and install high accumulator on opposite side of flange, first making sure that check ball and retaining pin are in place in high accumulator body.

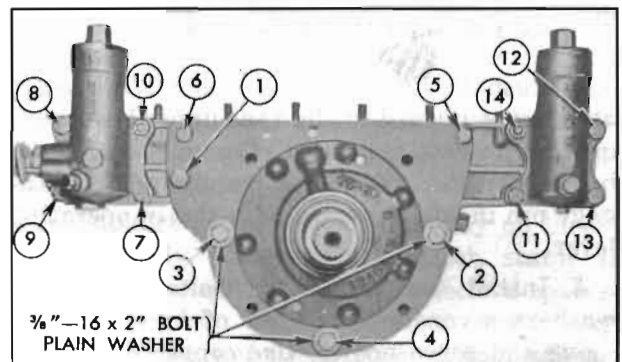


Figure 5-97—Reaction Shaft Flange and Accumulator Bolt Tightening Sequence

13. Coat accumulator bolt threads with Permatex No. 3 (non-hardening) and install bolts and stud nuts with lockwasher, but do not tighten.

14. Referring to figure 5-97, tighten all bolts and nuts (1 through 14) to 5 ft. lbs. torque in the numerical sequence shown. Following the same sequence again, tighten bolts 1 through 4 to 35-40 ft. lbs. and the remaining bolts and nuts to 20-25 ft. lbs.

15. Remove the three special bolts (2, 3, 4) and tighten accumulator body caps to 40-50 ft. lbs. torque.

16. If edge of flange gaskets projects beyond bottom surface of transmission case, carefully trim it flush, using a sharp knife.

g. Installation of Valve and Servo Body Assembly, and Oil Pan

1. With transmission laying bottom side up, raise the reverse band operating lever and insert the strut between shoulders on lever and end of band—rounded ends must be against lever and band. **CAUTION:** *Do not lift the lever during the following steps because strut will fall into transmission case.*

2. Install two $\frac{5}{16}$ " guide pins (fig. 5-87) in transmission case to guide each end of servo body, and install servo body spacer plate gasket over guide pins.

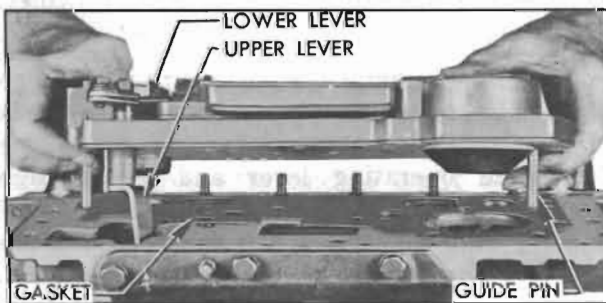


Figure 5-98—Installing Valve and Servo Body Assembly

3. Push shift control valve and lower operating lever inward to align the upper lever with opening in case and install the valve and servo body on transmission case. See figure 5-98. Engage pin in control valve with slot in operating lever.

4. Install various length bolts with lockwashers according to depth of holes through valve and servo bodies. *Use copper washer on bolt indicated in Fig. 5-99.*

5. Tighten all bolts to 5 ft. lbs. torque in the

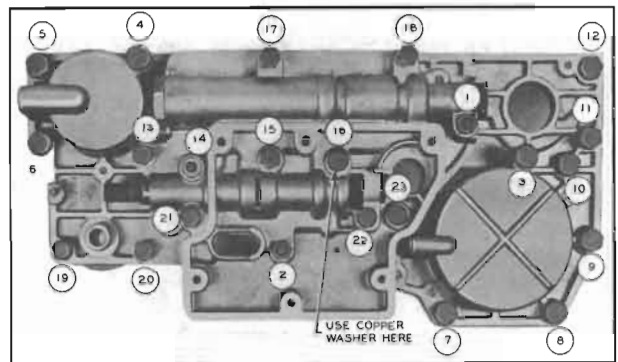


Figure 5-99—Valve and Servo Body Bolt Tightening Sequence

numerical sequence shown in figure 5-99. Repeating the same sequence, tighten all $\frac{1}{4}$ " bolts and nuts to 11-15 ft. lbs. torque and all $\frac{5}{16}$ " bolts to 15-20 ft. lbs. While tightening bolts and nuts adjacent to the shift control valve, operate the valve to make certain that it is not binding—it may be necessary to adjust some bolts to low limit on torque to prevent valve binding.

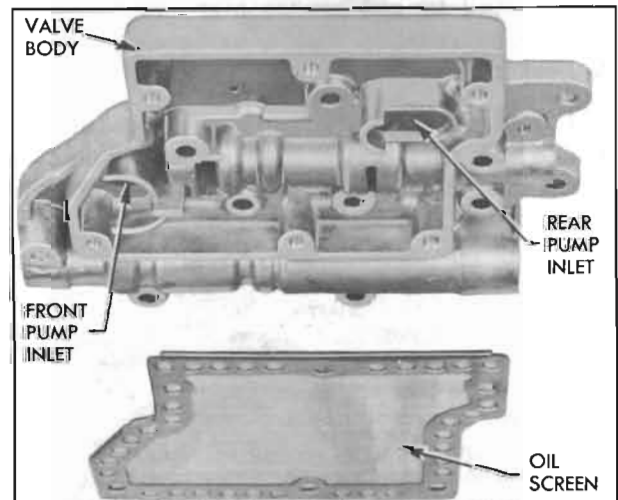


Figure 5-100—Oil Pump Suction Passages

6. Using Linkage Hook-Up Finger J 2591, position the socket of valve operating rod under the ball of valve upper operating lever and pull upward until ball snaps into the socket. See figure 5-101.

7. Temporarily install the shift lever on cross shaft and operate the valve linkage to make sure it works freely. Move lever toward front of transmission to engage parking lock pawl in the ratchet wheel. Turn output shaft to make certain it is locked.

8. Temporarily install shift lever on cross shaft and operate valve to make sure it works freely.



Figure 5-101—Connecting Valve Operating Rod to Upper Lever

Move lever to engage middle detent (Drive position).

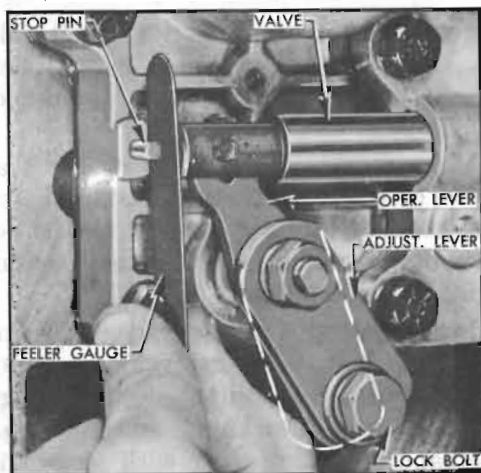


Figure 5-102—Control Valve Linkage Adjustments

9. If inner end of valve is not flush with edge of port in valve body, loosen lock bolt and move adjusting lever as necessary to align edge of valve with edge of port (flush), then re-tighten lock bolt, making certain that adjustment does not change. See Figure 5-103.

10. Move shift lever into "Park" position, making certain that pawl engages ratchet wheel, (by attempting to turn output shaft) then check for clearance between outside end of valve and stop pin.

NOTE: Refer to page 55, in the 1957 Product Service Bulletin Buick section for revised type valve body information.

11. If valve does not clear stop pin, loosen valve body attaching bolts and shift body to obtain clearance; then, retighten bolts. If valve and pin still touch, check upper lever for distortion and replace if necessary.

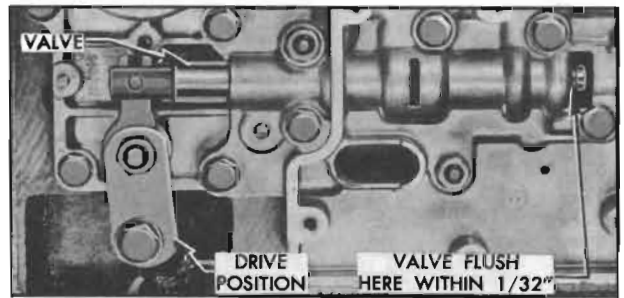


Figure 5-103—Position of Control Valve in Direct Drive Range

12. Spread a thin coat of Permatex No. 3 on transmission case only in the area where the case is cut away under the oil pan gasket. This is adjacent to the valve operating lever.

13. Install a $\frac{5}{16}$ " guide pin (fig. 5-87) at each end of transmission case and install a new oil pan gasket over guide pins. Install oil screen.

14. Install oil pan with bolts and stud nuts provided with lockwashers. Evenly tighten all bolts and nuts to 15-18 ft. lbs. torque.

h. Installation of Universal Joint, Torque Ball, and Speedometer Driven Gear

1. Install speedometer driven gear.

2. Install universal joint spacer on output shaft, then install universal joint.

3. Move shift lever to park position and install universal joint bolt, flat washer and lock washer, then torque to 30-35 ft. lbs. **CAUTION:** Be certain that oil hole in bolt is clear.

4. See Par. 4-12 for procedure in installing and tightening torque ball.

i. Installation of Converter Housing and Torque Converter

1. Install front oil pump seal ring around pump body against pump cover.

2. Install converter housing, using lockwashers on bolts and stud. Sparingly coat threads of lower right side bolt with Permatex No. 3 because the bolt hole opens into transmission case. Tighten bolts and stud nut evenly to 35-40 ft. lbs. torque.

3. Support converter pump firmly on blocks and carefully place variable pitch stator in proper position, with original selective spacers and the thrust washer between stator and pump hub. *Do not use grease to hold spacers in place.*

4. Carefully lower twin turbine assembly into place.

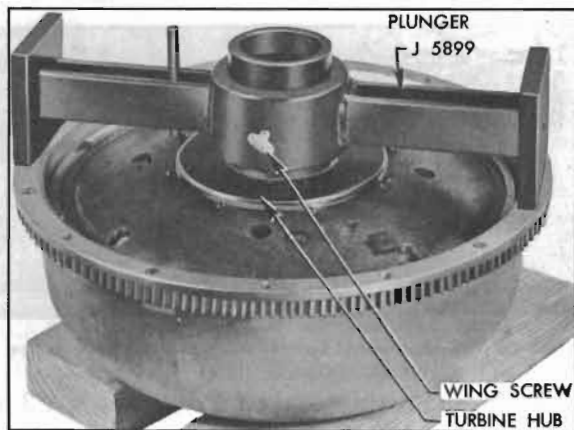


Figure 5-104—Gauge J 5899 on Pump and Turbine

5. Install Converter Clearance Gauge J 5899 on converter pump flange, making sure that indicator post does not contact the turbine. Loosen wing screw, firmly press gauge plunger down against first turbine hub and tighten wing screw. See figure 5-104.

6. Support the converter pump cover firmly on blocks with inner side up and place the bronze thrust washer in its recess. Remove Gauge J 5899 from pump, *invert it*, and center it on the cover so that it rests squarely on the gasket surface. See figure 5-105.

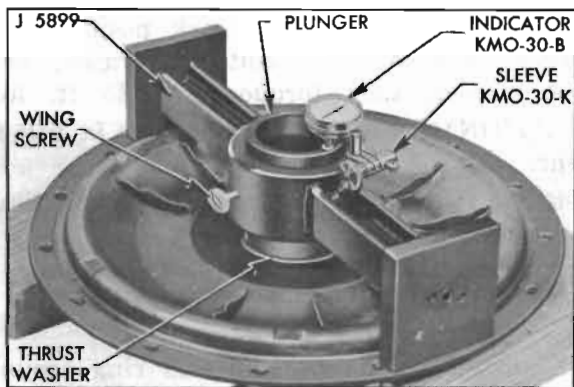


Figure 5-105—Gauge J 5899 on Pump Cover

7. Use Sleeve KMO-30-K to mount Dial Indicator KMO-30-B on the adjustable post of clearance gauge so that indicator button bears squarely against the upper end of clearance gauge plunger. Set dial at zero. See figure 5-105.

8. Loosen plunger wing screw, firmly press gauge plunger down against the thrust washer and note the dial reading. The dial reading is the clearance that will exist between the turbine and pump cover when parts are installed, and should be .004" to .017".

9. If dial reading is not within specified limits, change the total thickness of selective spacers located under the stator. *Increasing* the spacer thickness will *decrease* clearance at cover and decreasing spacer thickness will increase the clearance. Spacers are available in three different thicknesses under Group 4.117.

10. Install the converter pump on reaction shaft, turning it until lugs on pump hub enter the slots in front oil pump driving gear. Make certain that ring gear is properly aligned on roll pins and against pump flange.

11. Coat the selective spacers and thrust washer with petroleum jelly so that they will adhere to the stator during installation. Make sure that all rollers and springs are in place and held in stator with Tool J 5806 (fig. 5-44).

12. While holding thrust washer and spacers to rear side of stator, slide stator off of installing tool upon the reaction shaft. Make certain that washer and spacers remain in place as stator is pushed back against converter pump.

13. Make sure that retaining ring is seated in groove of input shaft, then install the twin turbine assembly, being careful not to *force* sprags onto reaction shaft—rotate assembly clockwise while installing.

14. Install selective thrust washer, retaining washer, and bolt with external tooth lockwasher on front end of input shaft. See figure 5-103. Shift into "Parking" and pry up on reverse band operating lever with screwdriver to lock input shaft, then tighten bolt to 30-35 ft. lbs. torque.

15. Check clearance between selective thrust washer and first turbine hub, using feeler gauges. Clearance should be between .002" and .009". See figure 5-106.

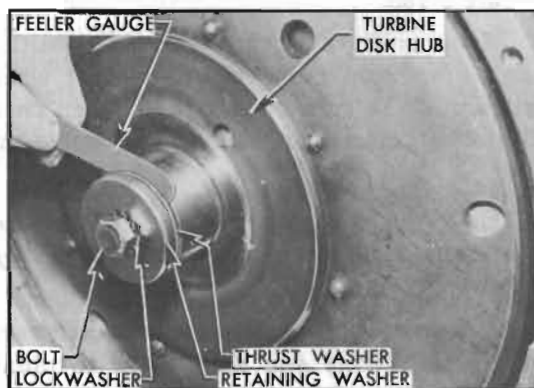


Figure 5-106—Checking Turbine Clearance

16. If specified clearance does not exist, substitute another thrust washer of proper thickness. Two washers of different thicknesses are available.

17. Looking at front face, turn converter pump cover so that drain plugs are horizontally aligned with seven bolt holes above a line through the plugs and eight below. In this position, the top center hole is a driving bolt hole as is the fifth hole from the top in either direction. Mark these holes for later installation of the flywheel-to-pump driving bolts. See figure 5-107.

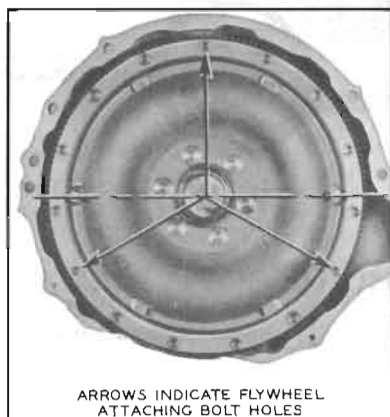


Figure 5-107—Location of Driving Bolt Holes

NOTE: *With converter in the above position, the triangular flywheel must be turned so that the wide flange is down and horizontal, to match the converter driving bolt holes and clear drain plugs.*

18. Install a new O-ring seal on pump cover, making sure that surfaces are clean and that seal has even tension all around and is not twisted.

19. Grease the selected thrust washer so it will adhere and place it in recess in cover, then install cover on pump.

20. Install bolts with lock washers in all but the three driving bolt holes, insert the shank of a $1\frac{1}{32}$ " drill through one bolt hole to align all holes, then tighten bolts to approximately 5 ft. lbs. torque in numerical sequence shown in figure 5-108. Finally tighten bolts in same sequence to 25-30 ft. lbs. torque.

j. Low and Reverse Band Adjustment

NOTE: *The following adjustment must be very carefully performed since it is not possible to readjust the bands after transmission is installed in car.*

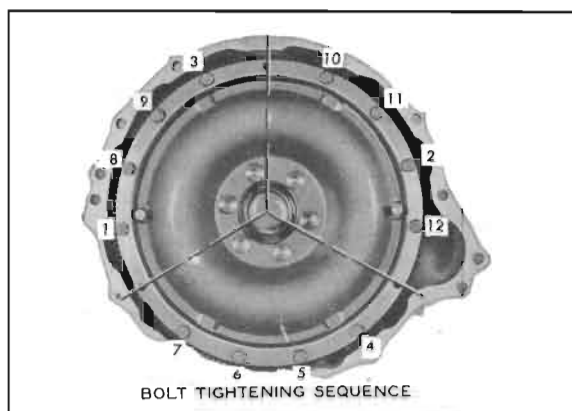


Figure 5-108—Bolt Tightening Sequence

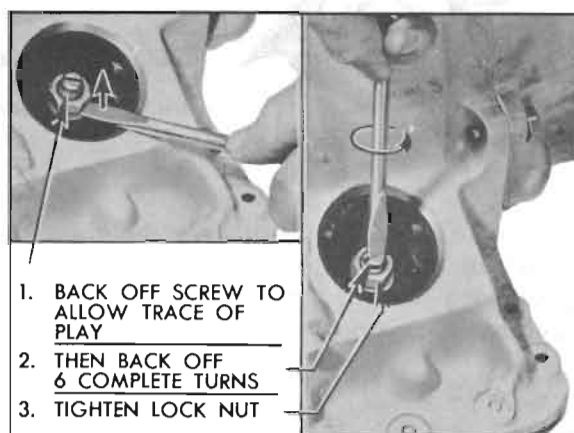


Figure 5-109—Band Adjustment

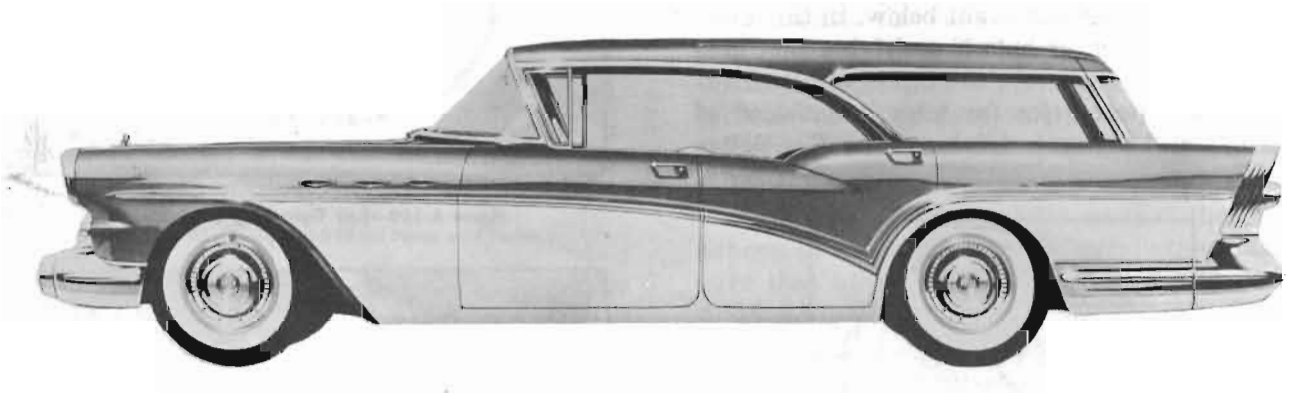
1. Loosen lock nut and turn adjusting screw clockwise until considerable resistance is felt, indicating that band is in full contact with the drum (low) or ring gear (reverse). See figure 5-109.

2. Back off screw until just a trace of play can be felt by prying up on lock nut with screwdriver. From that point, back off screw six (6) complete turns and snug up the lock nut. See figure 5-109.

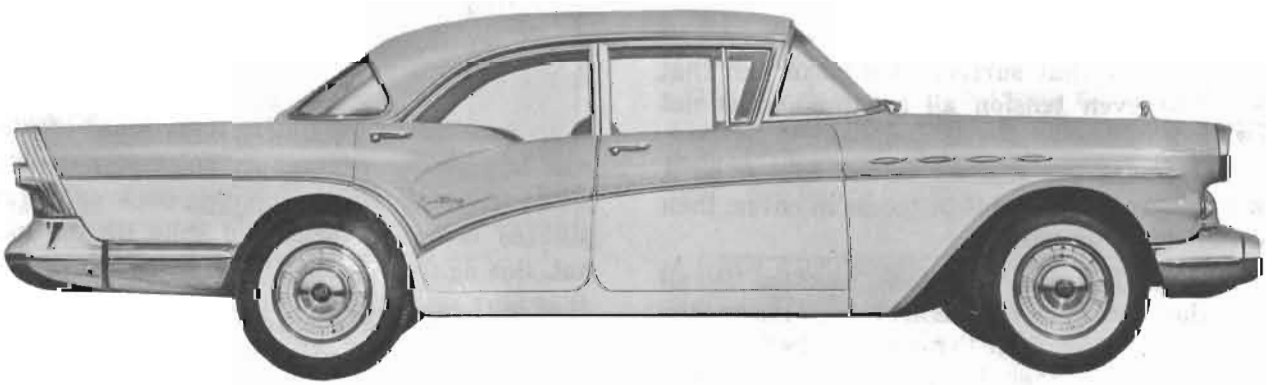
3. After noting position of adjusting screw slot, tighten lock nut to 20-25 ft. lbs. torque. Remove torque wrench and check to make sure that adjusting screw did not turn.

4. Install band adjustment covers with *new* gaskets.

5. Install transmission shift lever on cross shaft with lockwasher and nut, hold lever forward while tightening nut, to avoid straining the internal linkage.



Model 49D



Model 4669