

SECTION 10-J

WIRING CIRCUIT DIAGRAMS

DIAGRAMS IN SECTION 10-J

Figure	Wiring Circuit Diagram	Page	Figure	Wiring Circuit Diagram	Page
10-79	Chassis Wiring (Synchromesh)	10-84	10-89	Body—Model 48; Style 4411...	10-90
10-80	Chassis Wiring (Dynaflow)...	10-85	10-90	Body—Models 49, 69.....	10-90
10-81	Dome Lamp—Series 40-60...	10:86	10-91	Body—Model 66C; Style 4667X.....	10-91
10-82	Dome Lamp—Models 56C, 56R, 76C, 76R.....	10-86	10-92	Body—Models 52, 72; Styles 4519, 4719.....	10-91
10-83	Dome Lamp—Models 52, 53, 72, 73.....	10-86	10-93	Body—Models 53, 73; Styles 4539, 4739X.....	10-92
10-84	Air Conditioning Wiring.....	10-87	10-94	Body—Model 56C, 76C; Styles 4567X, 4767X.....	10-92
10-85	Body—Model 41; Style 4469.	10-88	10-95	Body—Model 56R; Style 4737	10-93
10-86	Body—Models 43, 63; Styles 4439, 4639.....	10-88	10-96	Body—Model 76R; Style 4737X.....	10-93
10-87	Body—Model 46C; Style 4467TX.....	10-89			
10-88	Body—Models 46R, 66R; Styles 4437, 4637.....	10-89			

NOTES

10-59 CIRCUIT DIAGRAMS AND FUSE BLOCK

This Section contains wiring circuit diagrams for chassis and body. The wiring may be easily traced by paying attention to the color code on each wire and the color code indicated on the diagrams.

Many of the wiring connections use a flat push-pull type terminal. The terminal on the wire requires a straight hard push to seat it in the socket. A hard steady pull on the wire is required to detach the terminal from the socket.

A central fuse block is mounted under the cowl on the left side. The fuse block serves as a convenient junction point for a number of wiring circuits, provides a mounting for the direction signal flasher, and contains the fuses

shown in figure 10-78. The "Direction Signal" fuse also protects the stop light circuits. The "Dome Lamp" fuse also protects the luggage compartment lamp circuit.

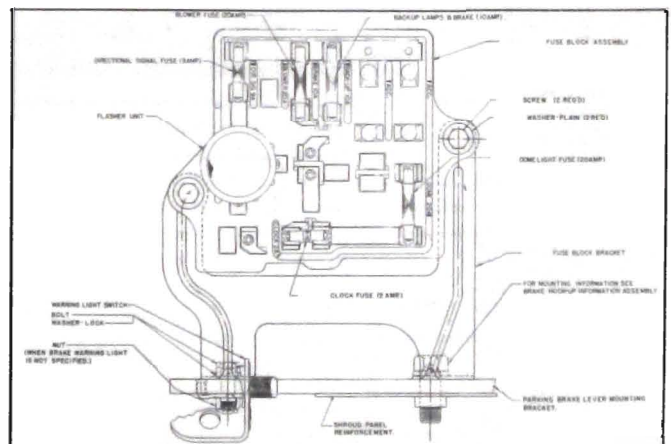


Figure 10-78—Fuse Block

10-84 WIRING DIAGRAMS

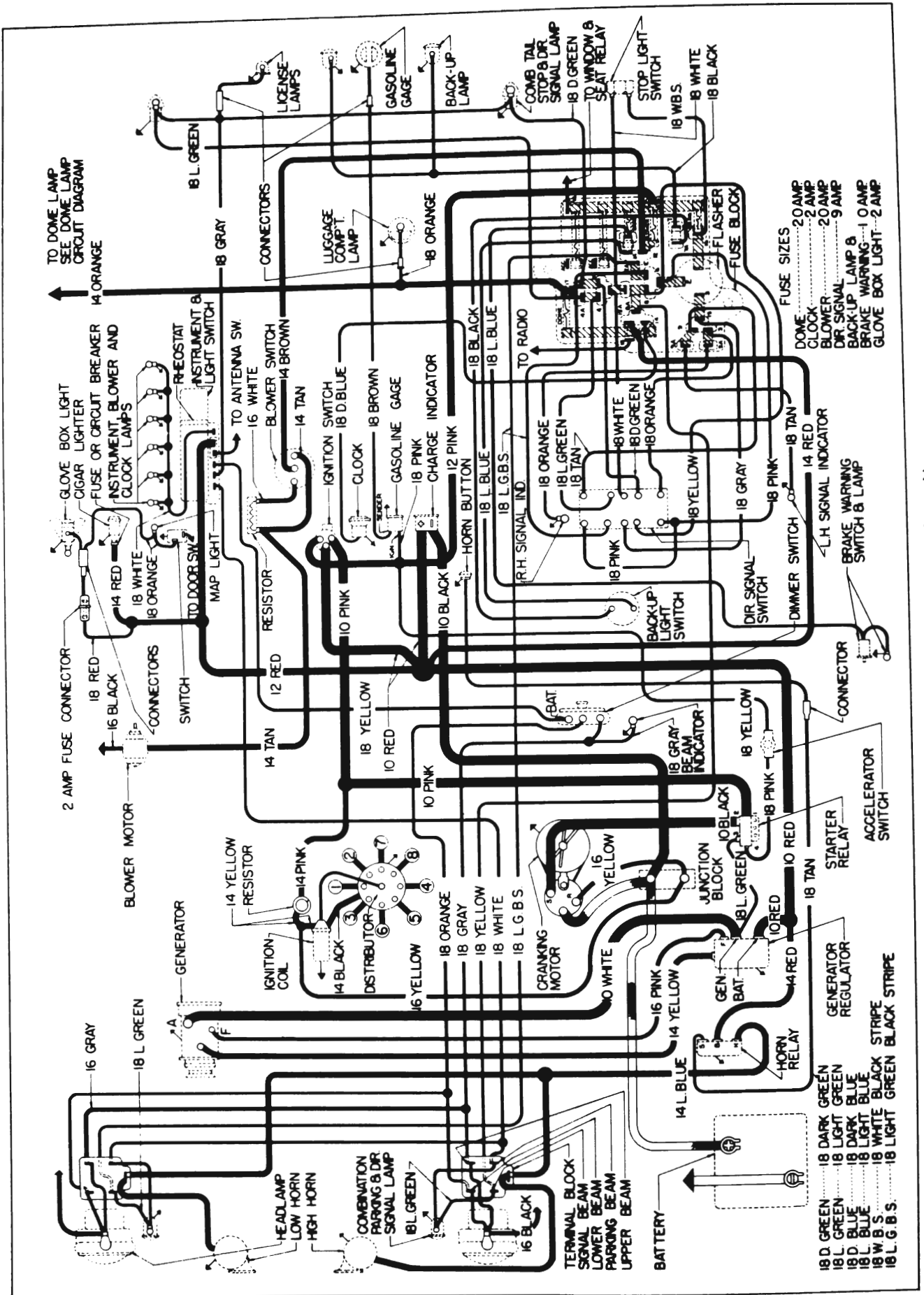


Figure 10-79—Chassis Wiring Diagram (Synchronesh)

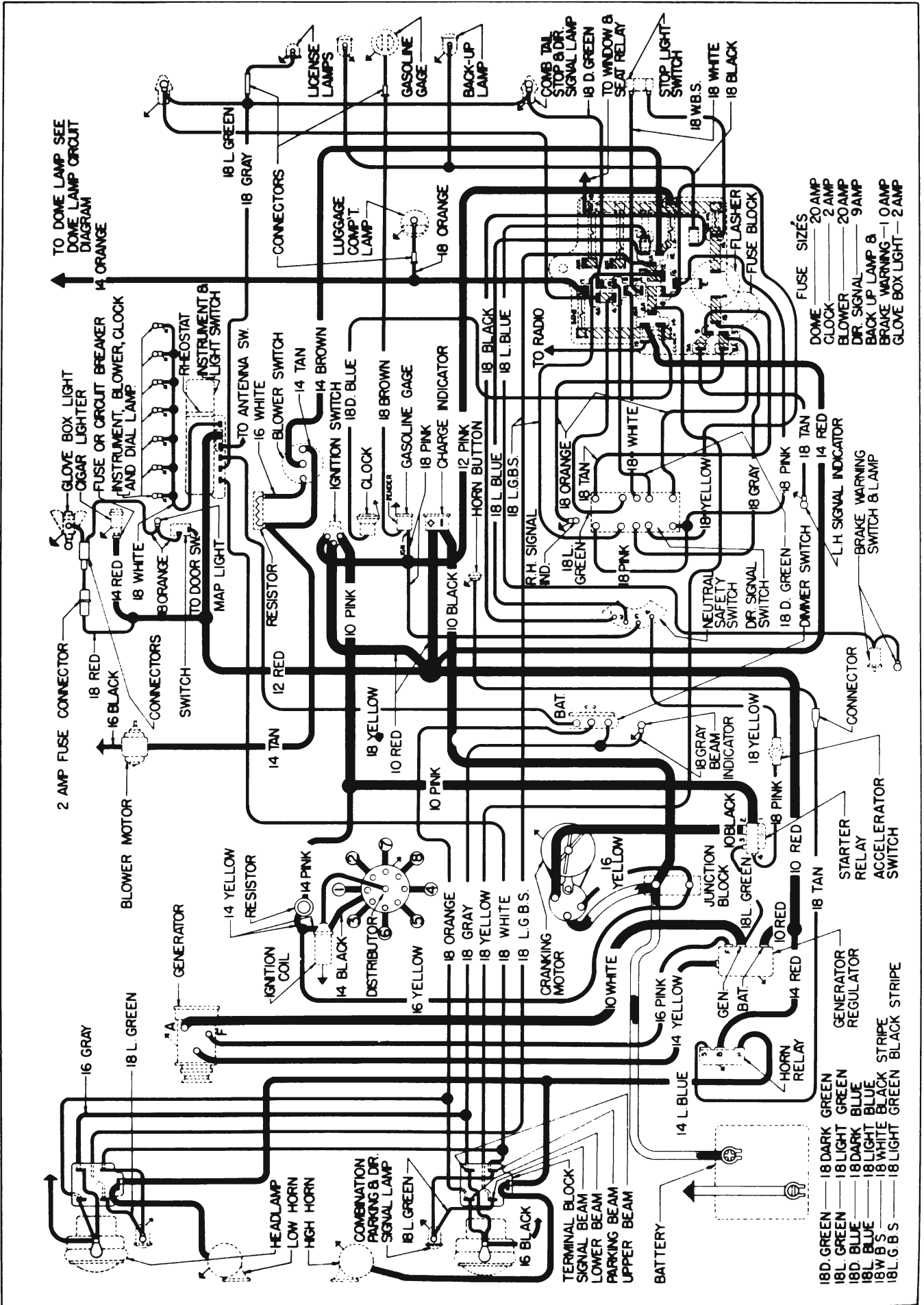


Figure 10-80—Chassis Wiring Diagram (Dynaflo)

10-86 WIRING DIAGRAMS

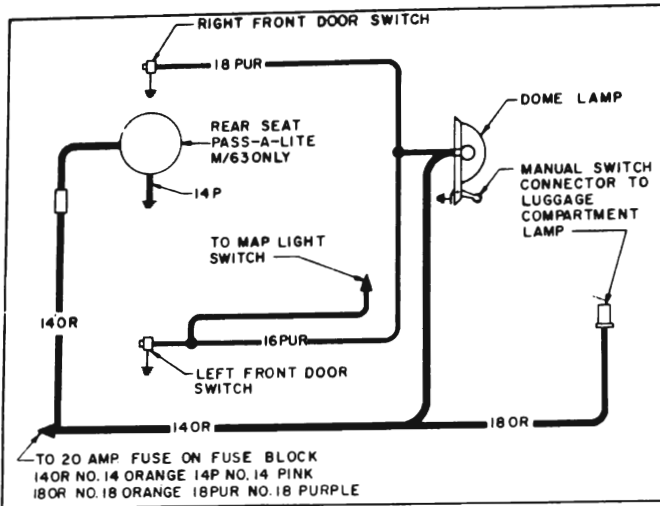


Figure 10-81—Dome Lamp Wiring Circuit Diagram—Series 40-60

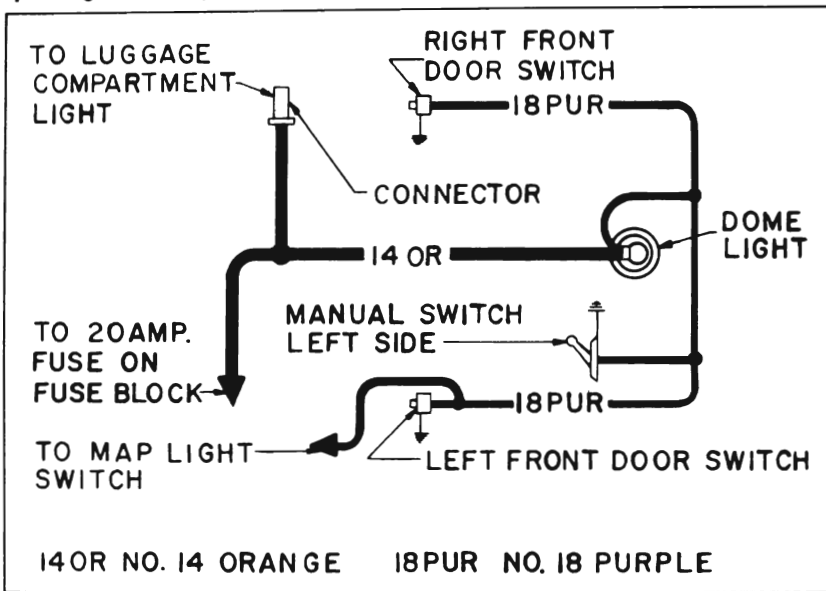


Figure 10-82—Dome Lamp Wiring Circuit Diagram—Models 56C, 56R, 76C, 76R

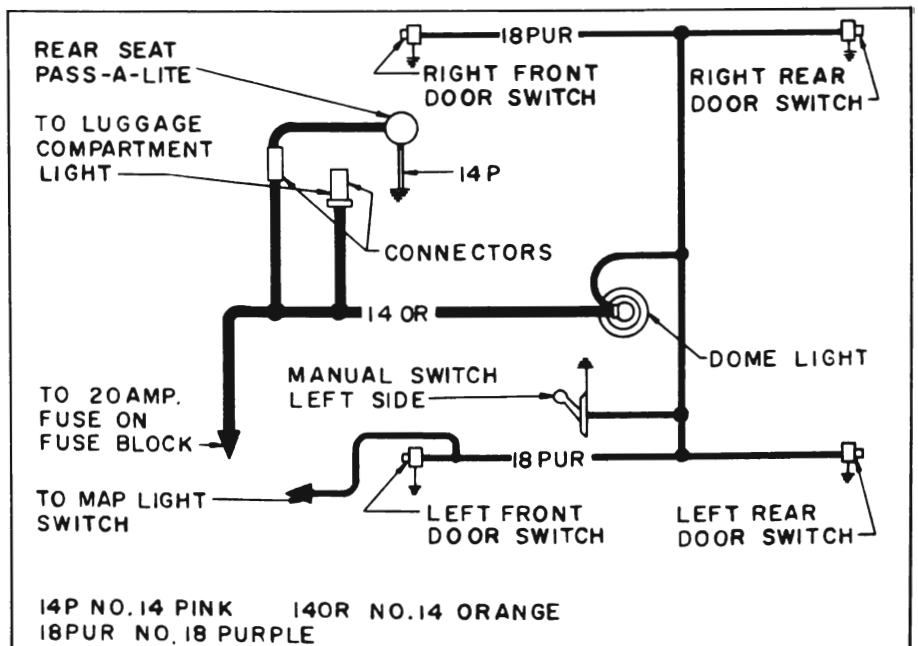


Figure 10-83—Dome Lamp Wiring Circuit Diagram—Models 52, 53, 72, 73

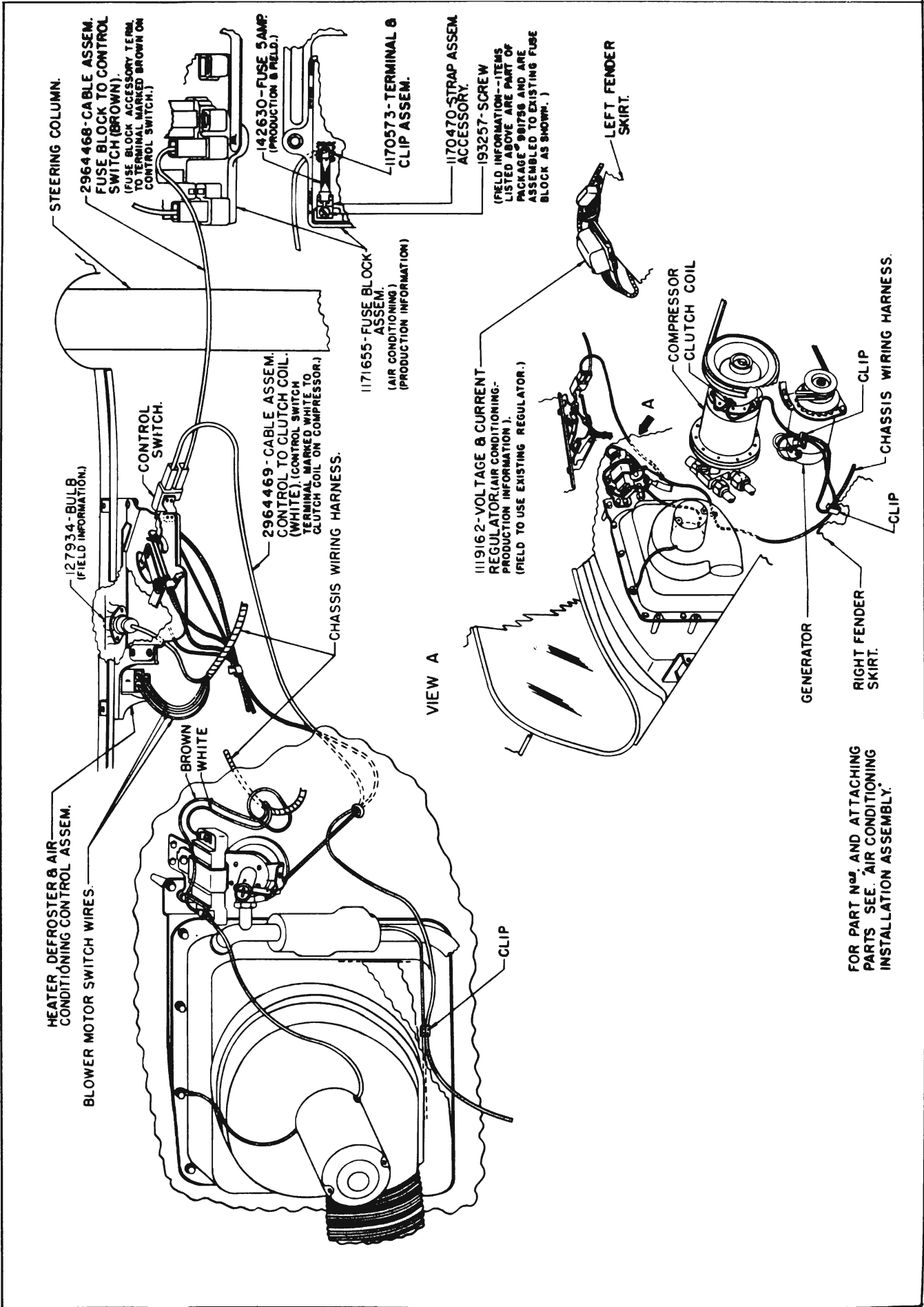


Figure 10-84—Air Conditioning Wiring Information

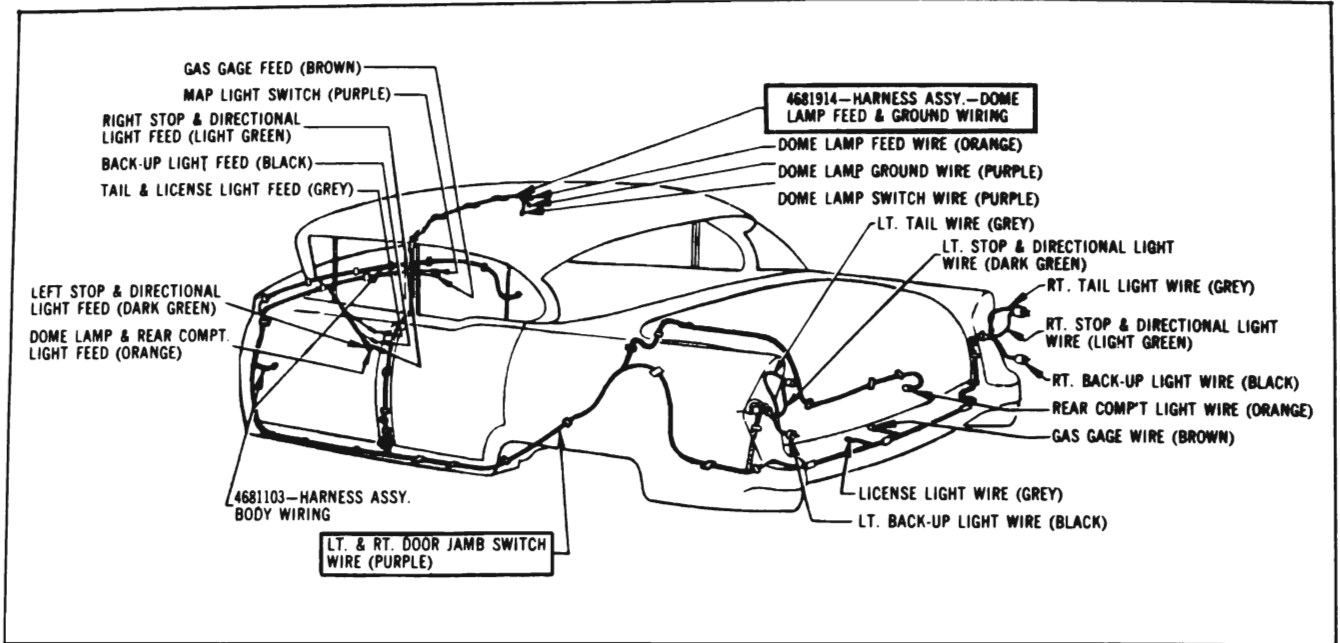


Figure 10-85—Body Wiring Circuit Diagram—Model 41—Style 4469

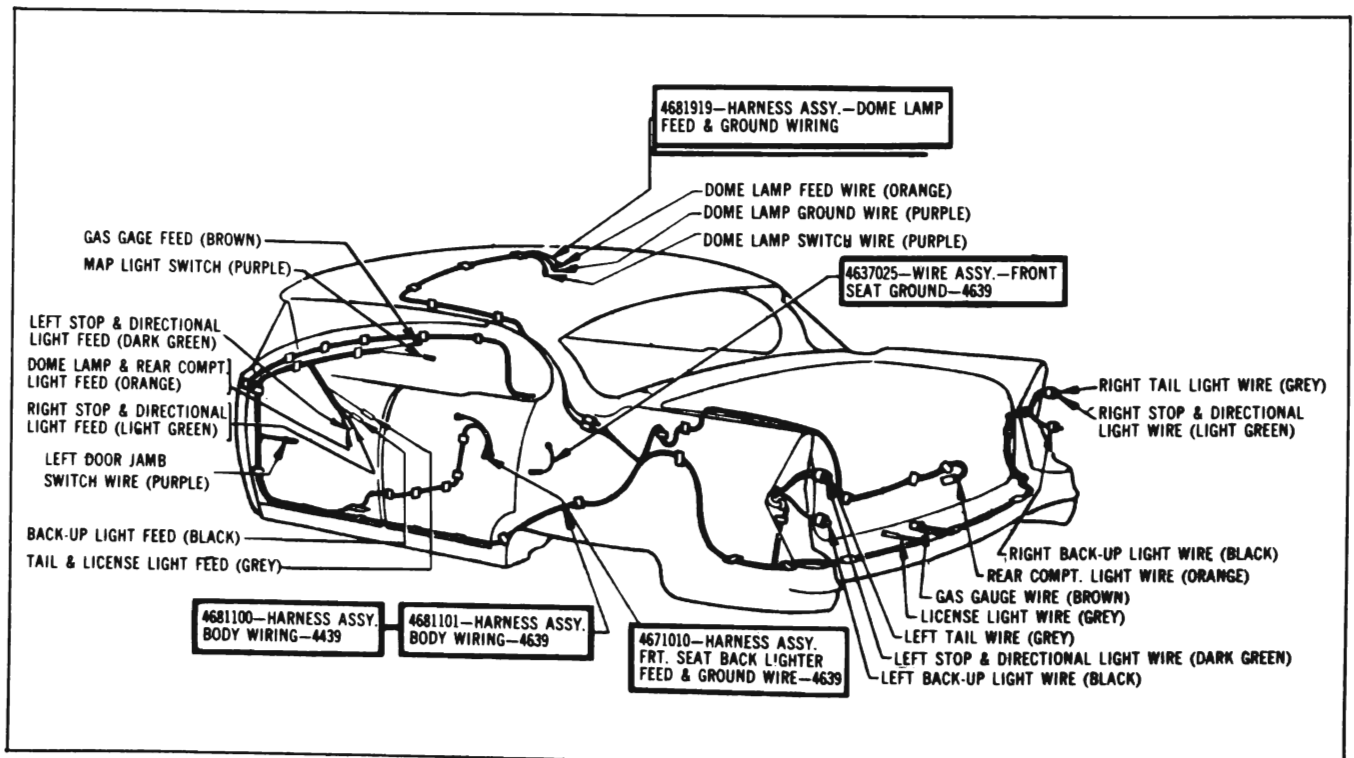


Figure 10-86—Body Wiring Circuit Diagram—Models 43, 63—Styles 4439, 4639

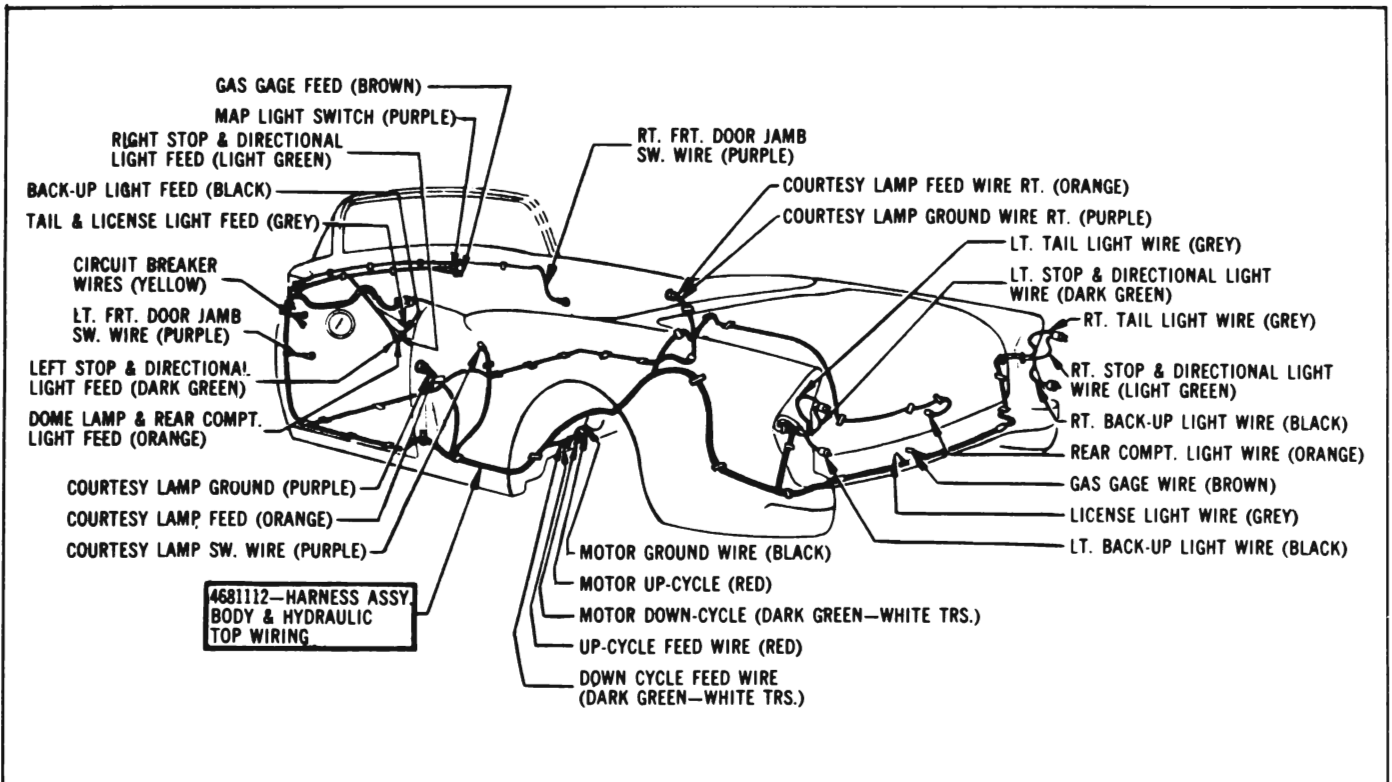


Figure 10-87—Body Wiring Circuit Diagram—Model 46C—Style 4467TX

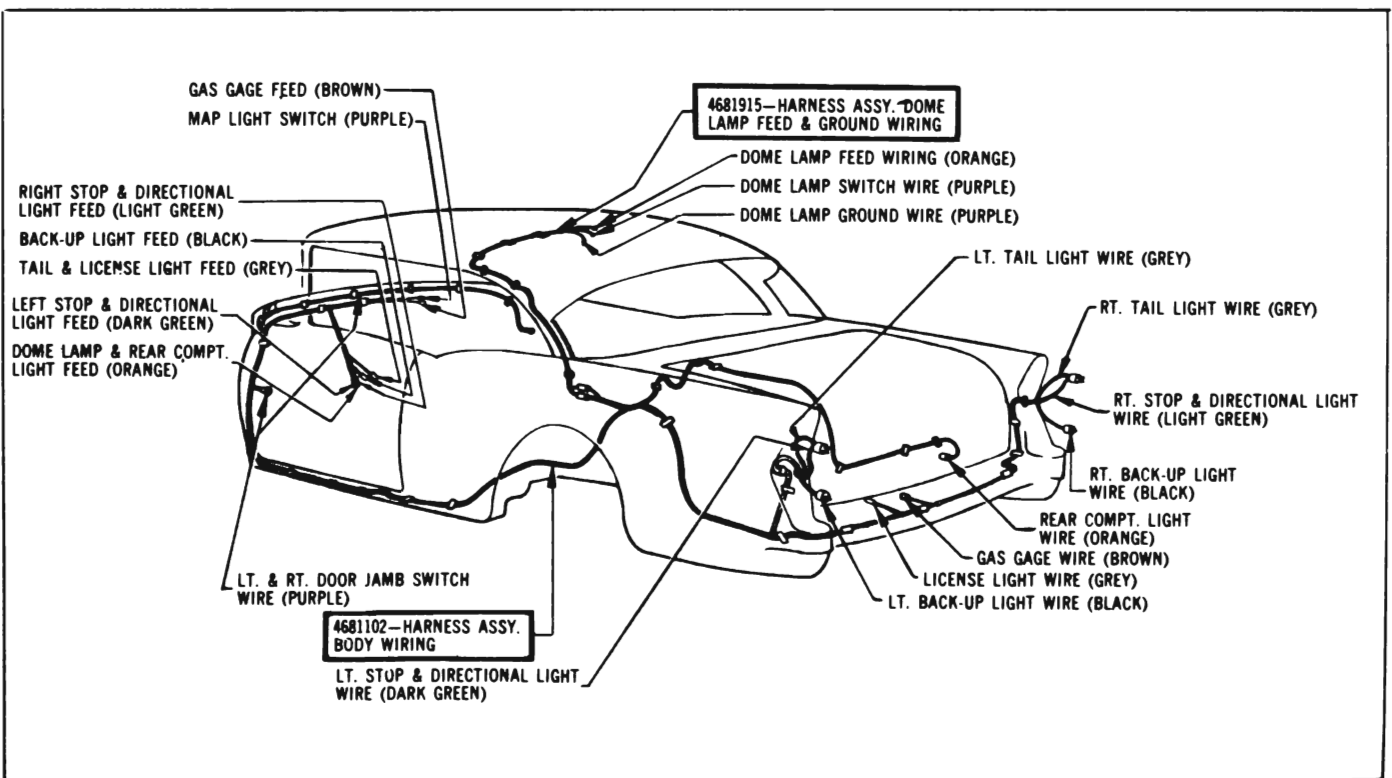


Figure 10-88—Body Wiring Circuit Diagram—Models 46R, 66R—Styles 4437, 4637

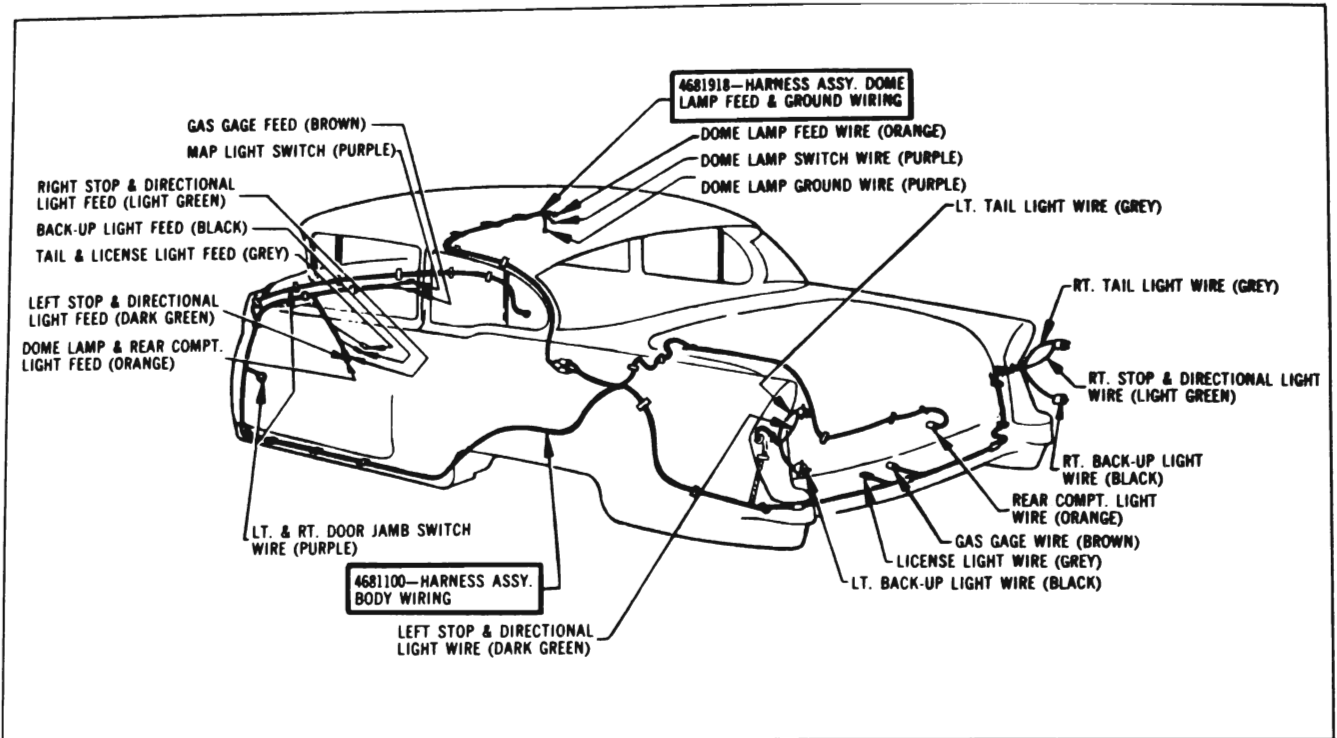


Figure 10-89—Body Wiring Circuit Diagram—Model 48—Style 4411

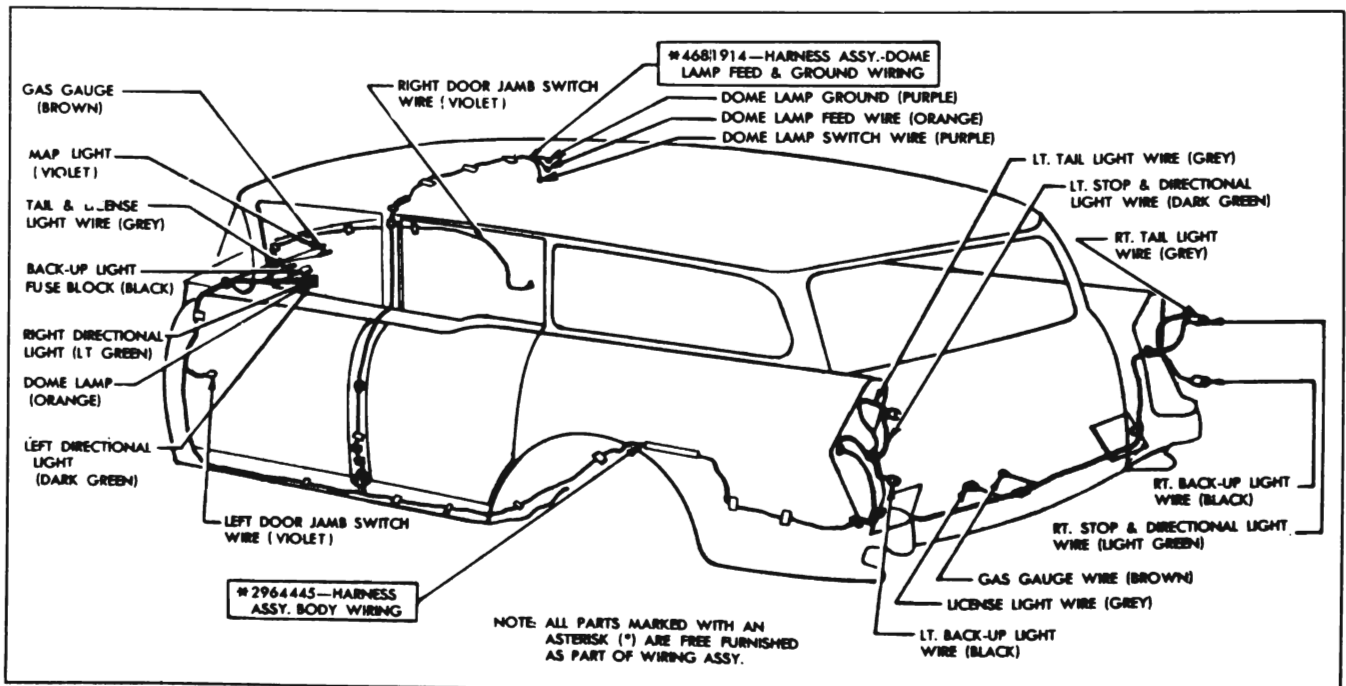


Figure 10-90—Body Wiring Circuit Diagram—Models 49, 69

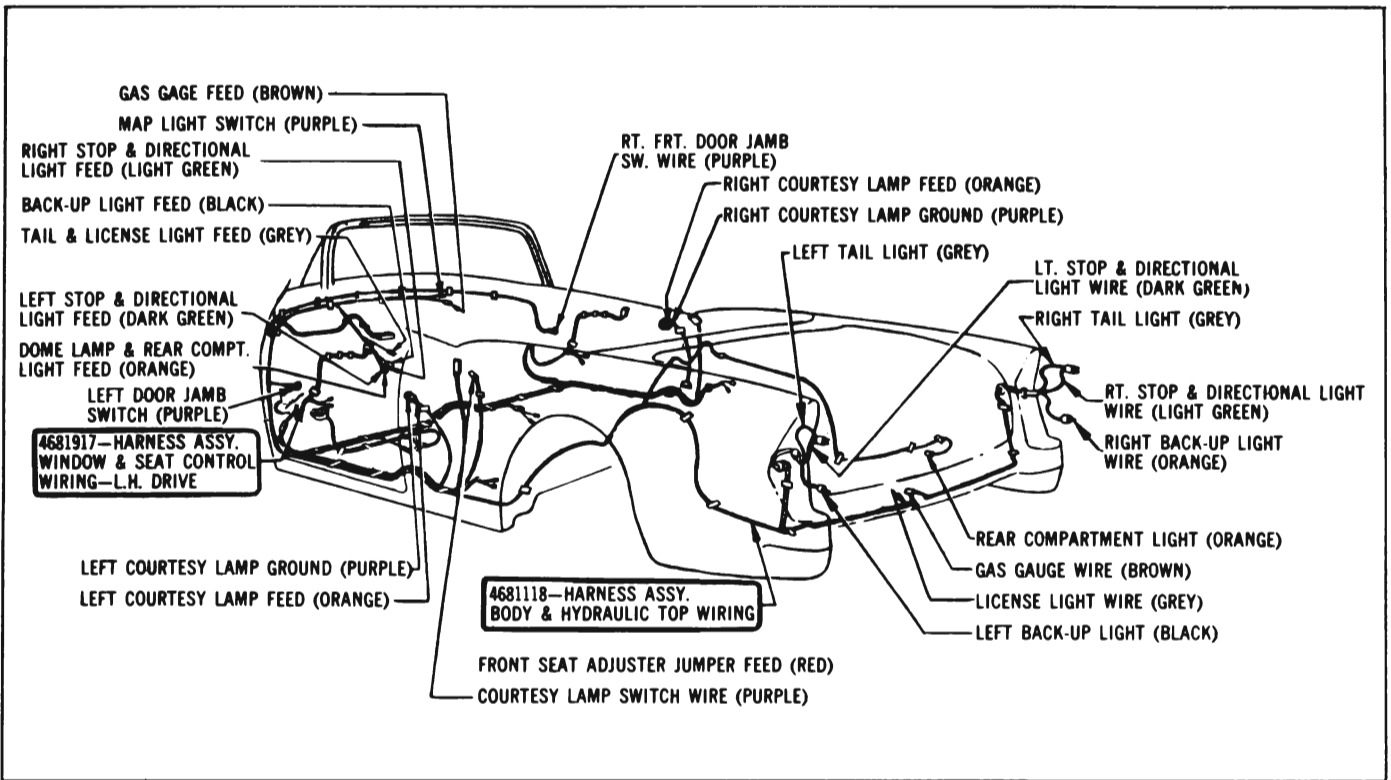


Figure 10-91—Body Wiring Circuit Diagram—Model 66C—Style 4667X

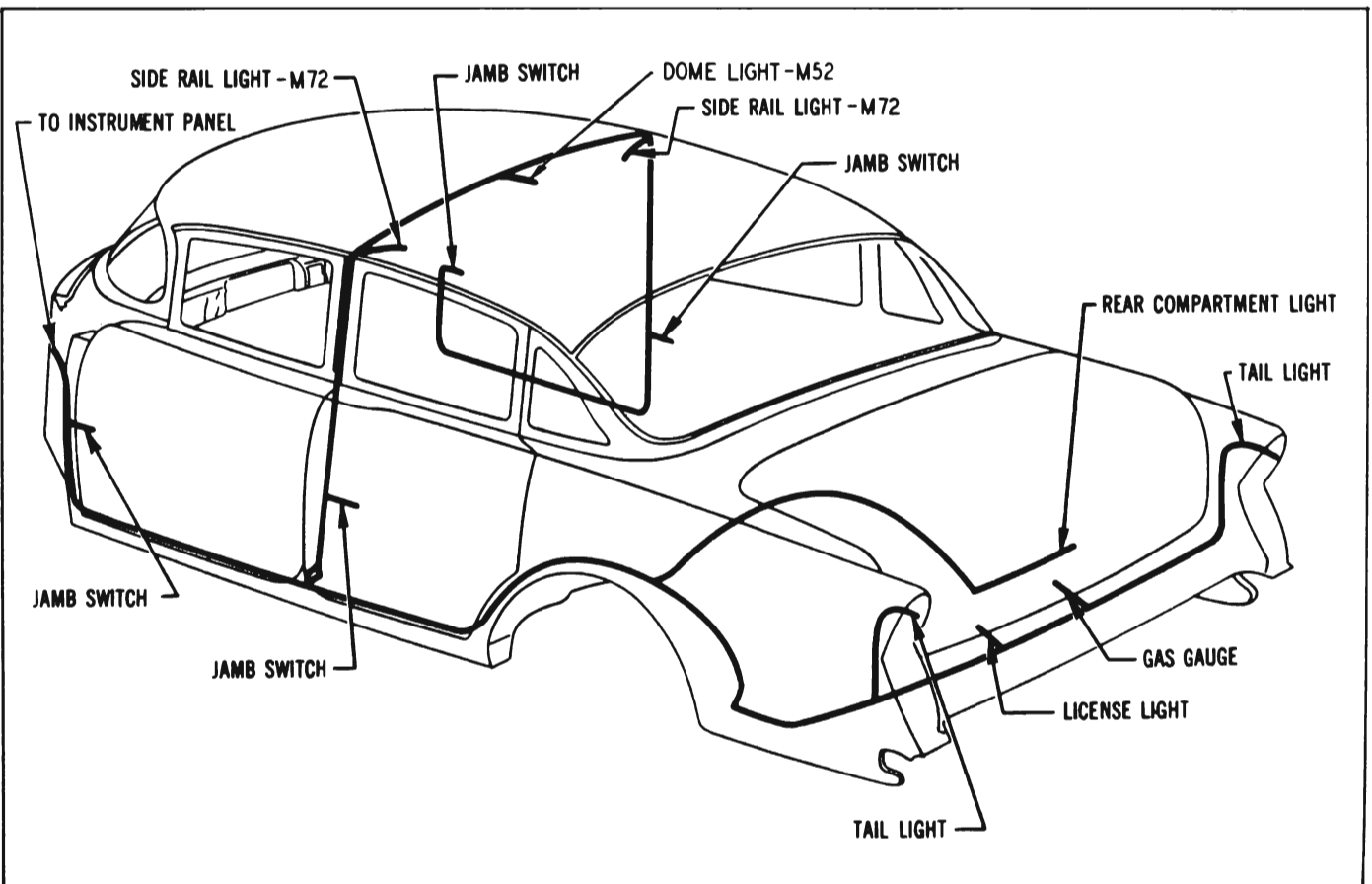


Figure 10-92—Body Wiring Circuit Diagram—Models 52, 72—Styles 4519, 4719

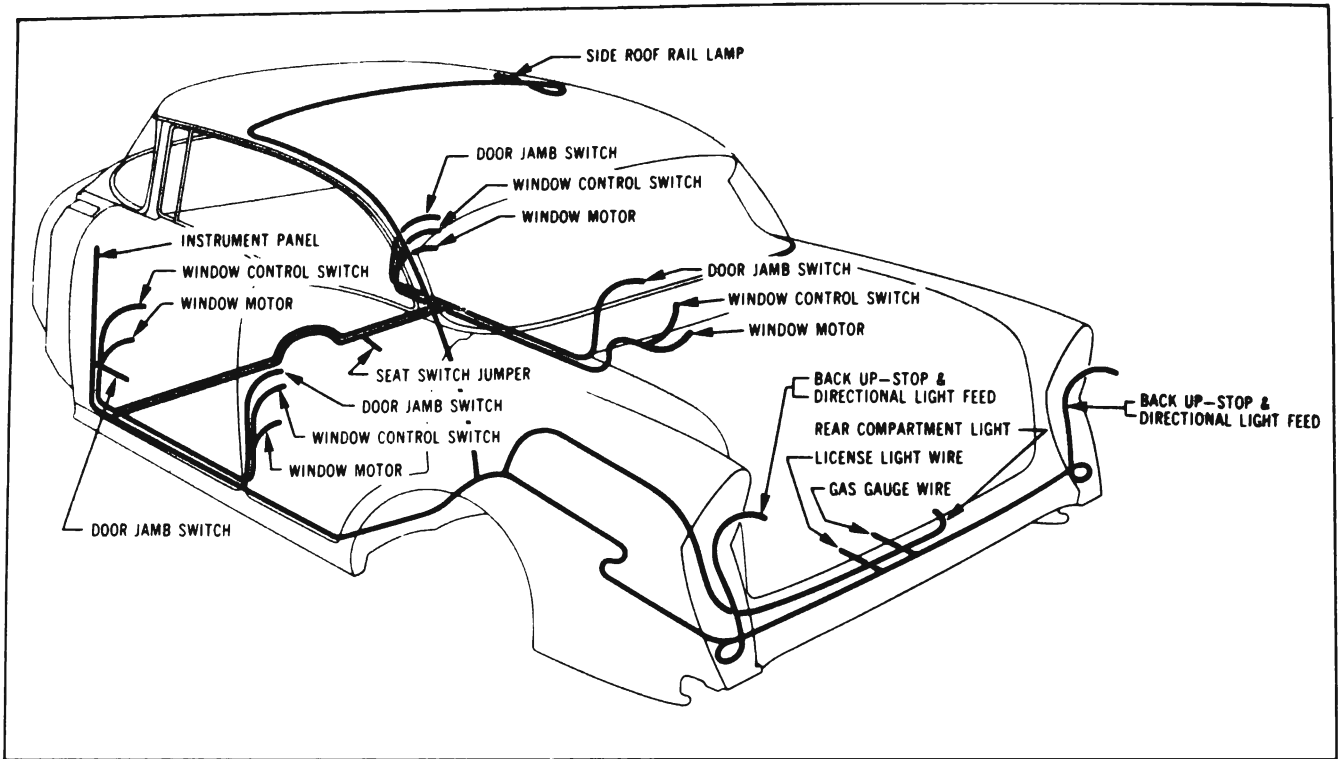


Figure 10-93—Body Wiring Circuit Diagram—Models 53, 73—Styles 4539, 4739X

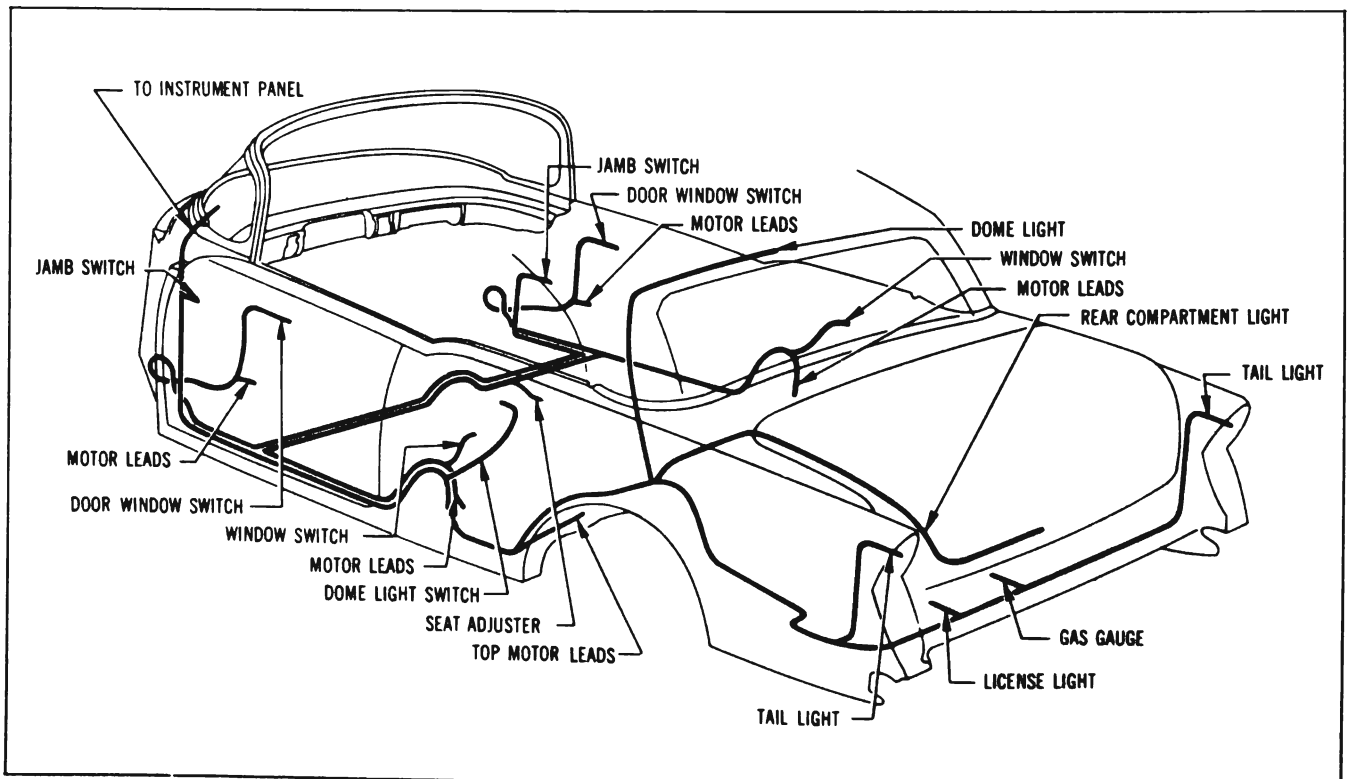


Figure 10-94—Body Wiring Circuit Diagram—Models 56C, 76C—Styles 4567X, 4767X

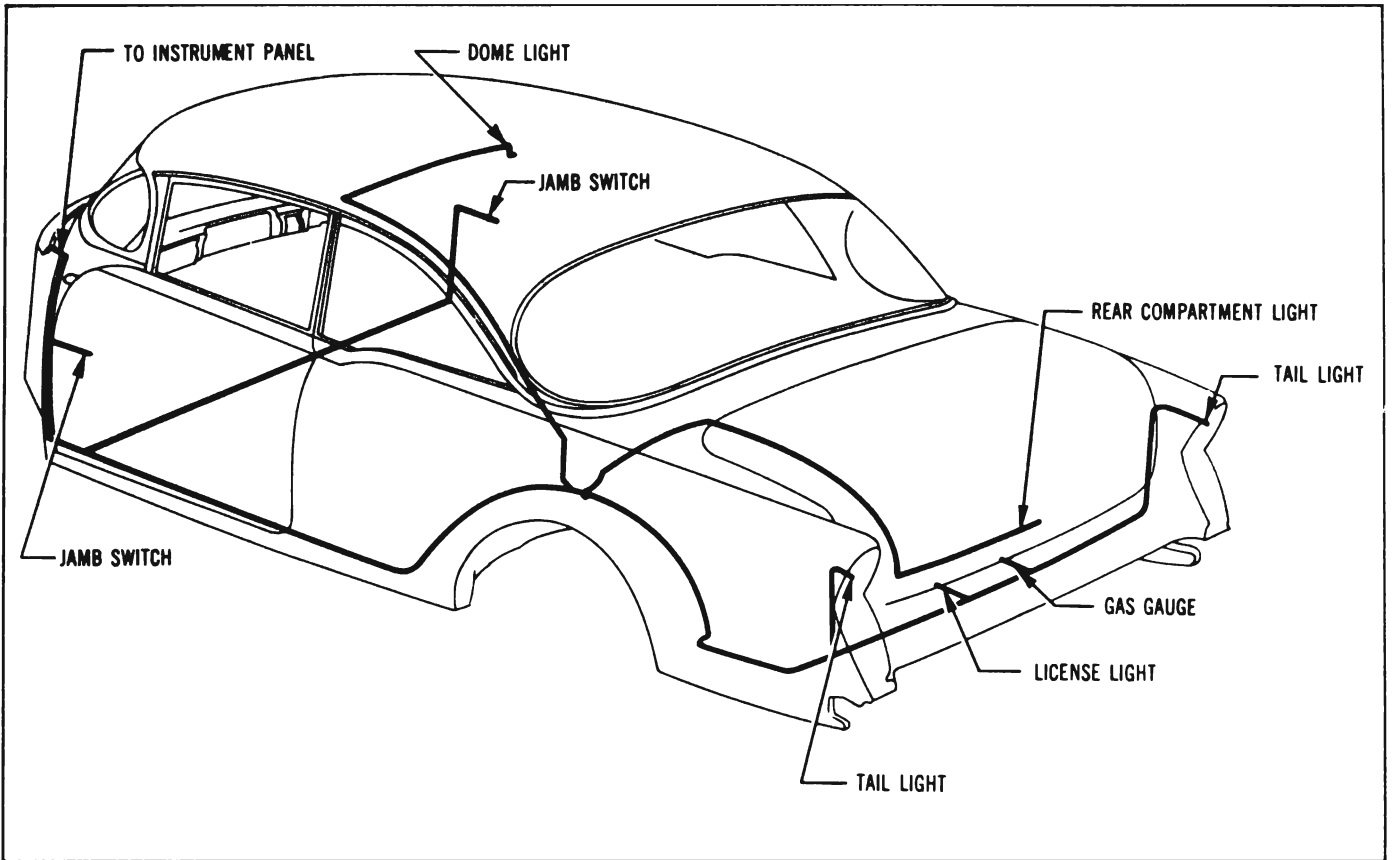


Figure 10-95—Body Wiring Circuit Diagram—Model 56R—Style 4537

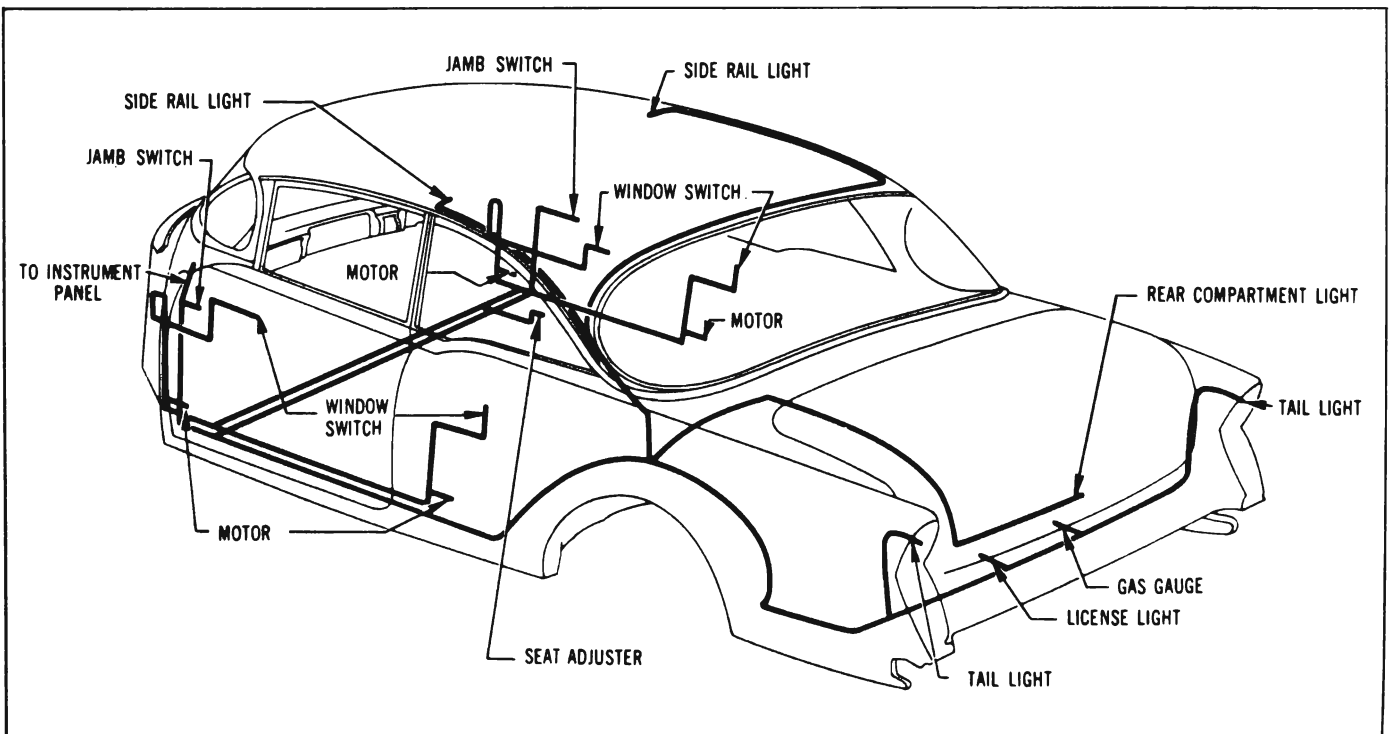
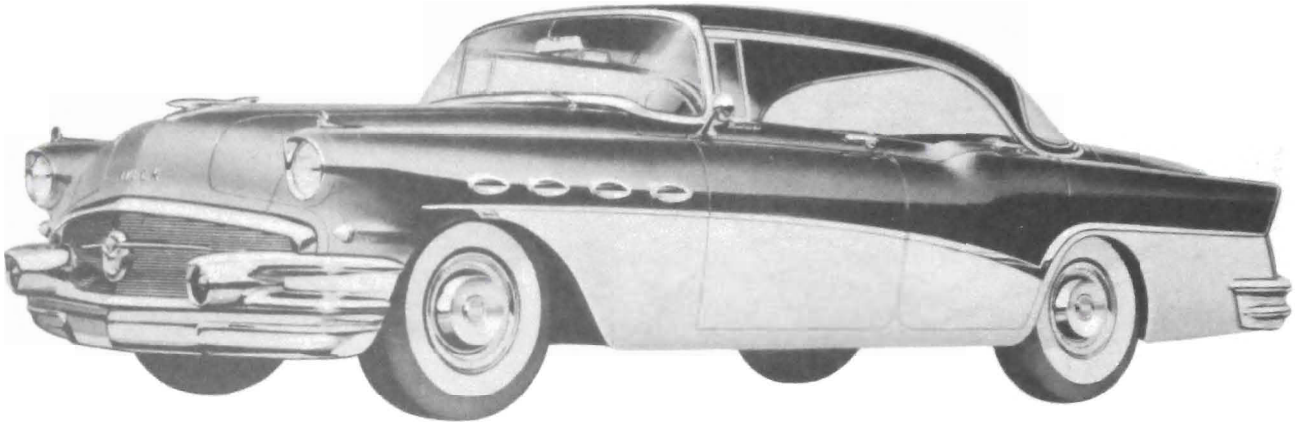
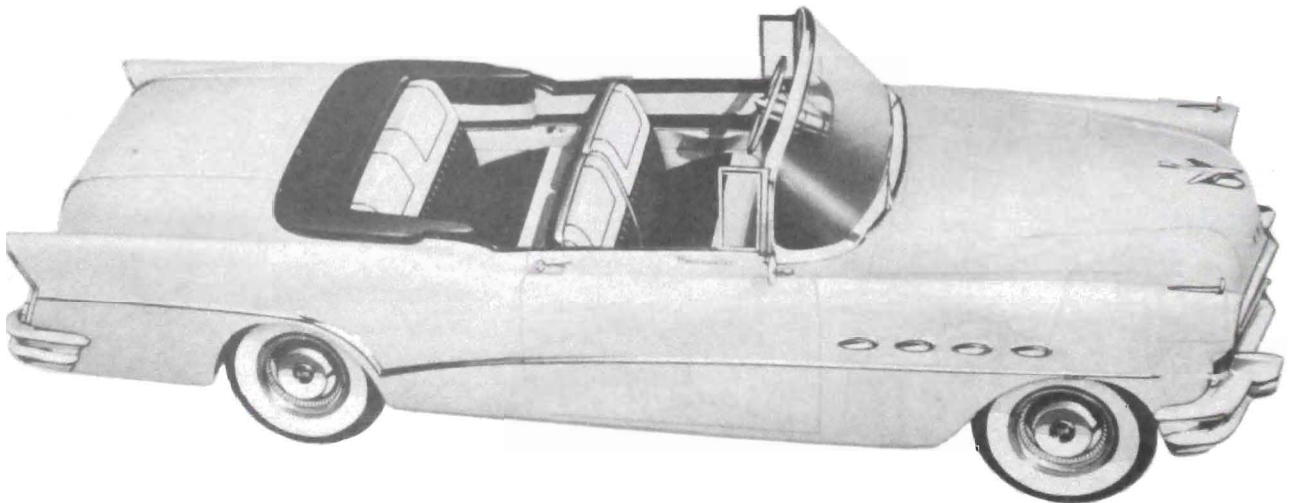


Figure 10-96—Body Wiring Circuit Diagram—Model 76R—Style 4737X



Model 73



Model 76C