

SECTION 10-J WIRING CIRCUIT DIAGRAMS

DIAGRAMS IN SECTION 10-J

Figure	Wiring Circuit Diagram	Page	Figure	Wiring Circuit Diagram	Page
10-75	Chassis—All Series Synchro-mesh.....	10-81	10-84	Body—Model 48; Style 4411.....	10-86
10-76	Chassis—All Series Dynaflow.....	10-82	10-85	Body—Models 49, 69; Style 4481.....	10-87
10-77	Dome Lamp—Series 40-60.....	10-83	10-86	Body—Models 52, 72; Styles 4519, 4719.....	10-87
10-78	Dome Lamp—Models 56C, 56R, 76C, 76R.....	10-83	10-87	Body—Models 56C, 76C; Styles 4567X, 4767X.....	10-88
10-79	Dome Lamp—Models 52, 72.....	10-83	10-88	Body—Model 56R; Style 4537.....	10-88
10-80	Air Conditioner.....	10-84	10-89	Body—Model 61; Style 4669.....	10-89
10-81	Body—Model 41; Style 4469.....	10-85	10-90	Body—Models 66C; Style 4667X.....	10-89
10-82	Body—Models 46R, 66R; Styles 4437, 4637.....	10-85	10-91	Body—Model 76R; Style 4737X.....	10-90
10-83	Body—Model 46C; Style 4467TX.....	10-86			

SERVICE BULLETIN REFERENCE

Bulletin No.	Page No.	SUBJECT

10-59 CIRCUIT DIAGRAMS AND FUSE BLOCK

This Section contains wiring circuit diagrams for chassis and body. The wiring may be easily traced by paying attention to the color code on each wire and the color code indicated on the diagrams.

Many of the wiring connections use a flat push-pull type terminal. The terminal on the wire requires a straight hard push to seat it in the socket. A hard steady pull on the wire is required to detach the terminal from the socket.

A central fuse block is mounted under the cowl on the left side. The fuse block serves as a convenient junction point for a number of wiring circuits, provides a mounting for the direction signal flasher, and contains the fuses

shown in figure 10-74. The "Direction Signal" fuse also protects the stop light circuits. The "Dome Lamp" fuse also protects the luggage compartment and glove box lamp circuits.

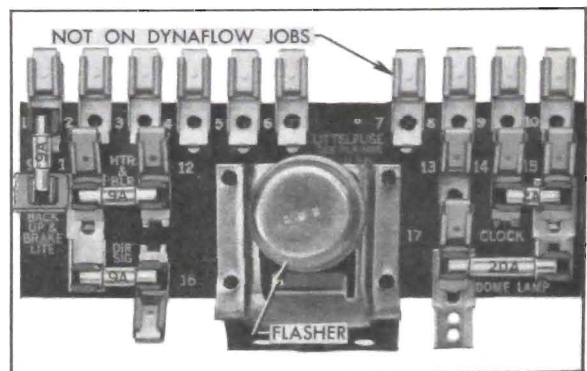


Figure 10-74—Fuse Block

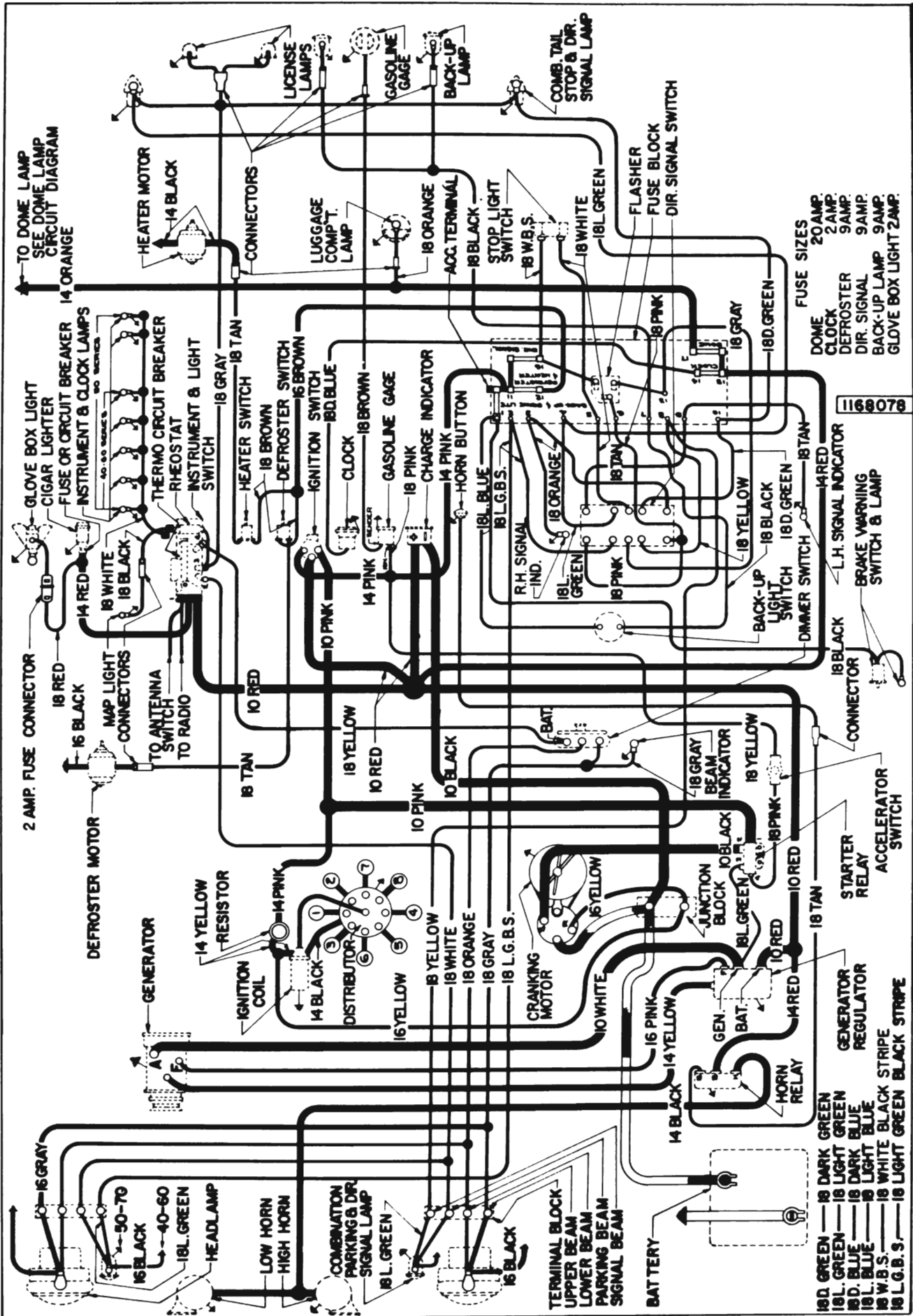


Figure 10-75—Chassis—All Series Synchronesh

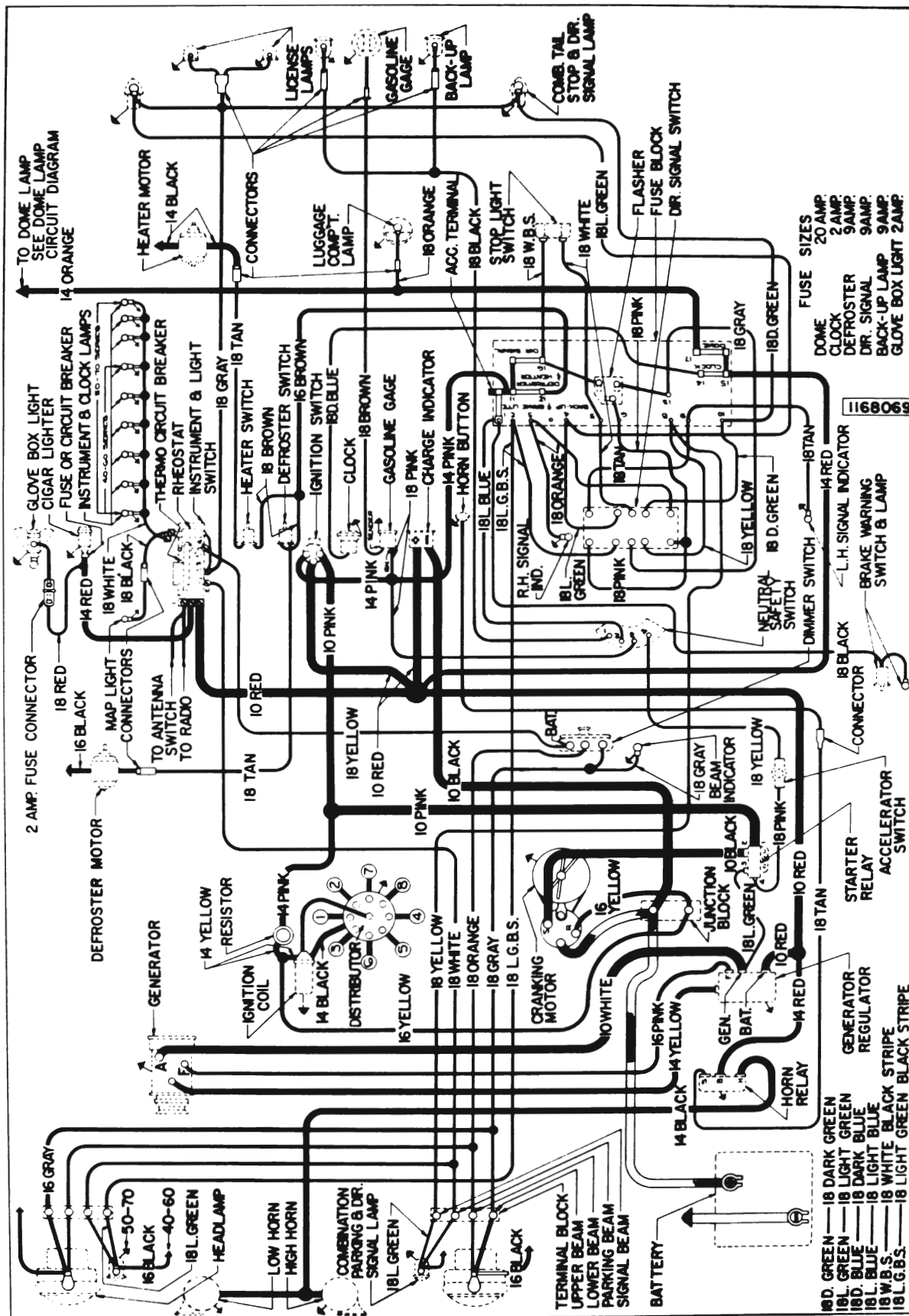


Figure 10-76—Chassis—All Series Dynaflo

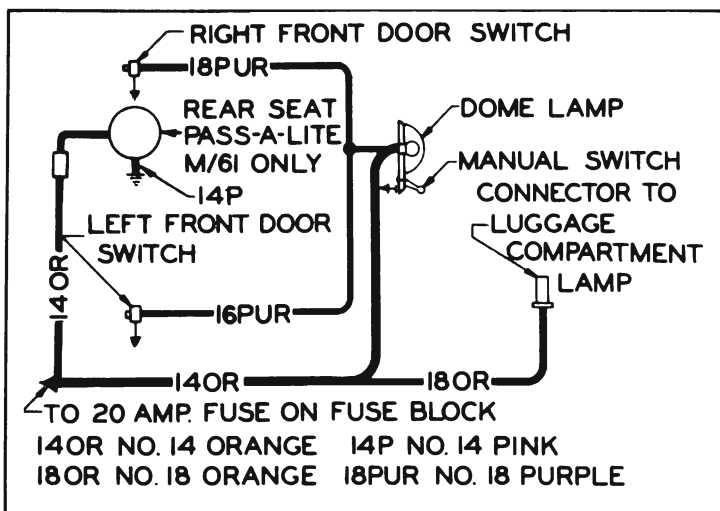


Figure 10-77—Dome Lamp Wiring Circuit Diagram—Series 40-60

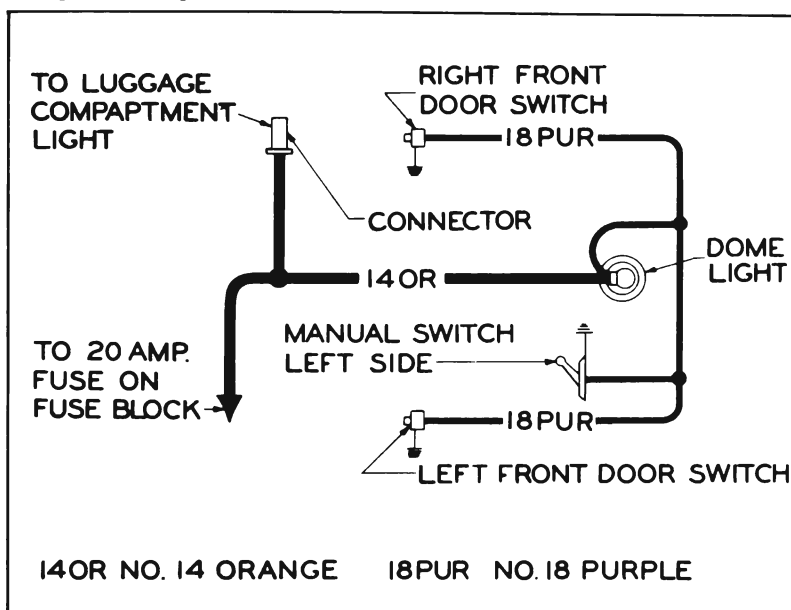


Figure 10-78—Dome Lamp Wiring Circuit Diagram—Models 56C, 56R, 76C, 76R

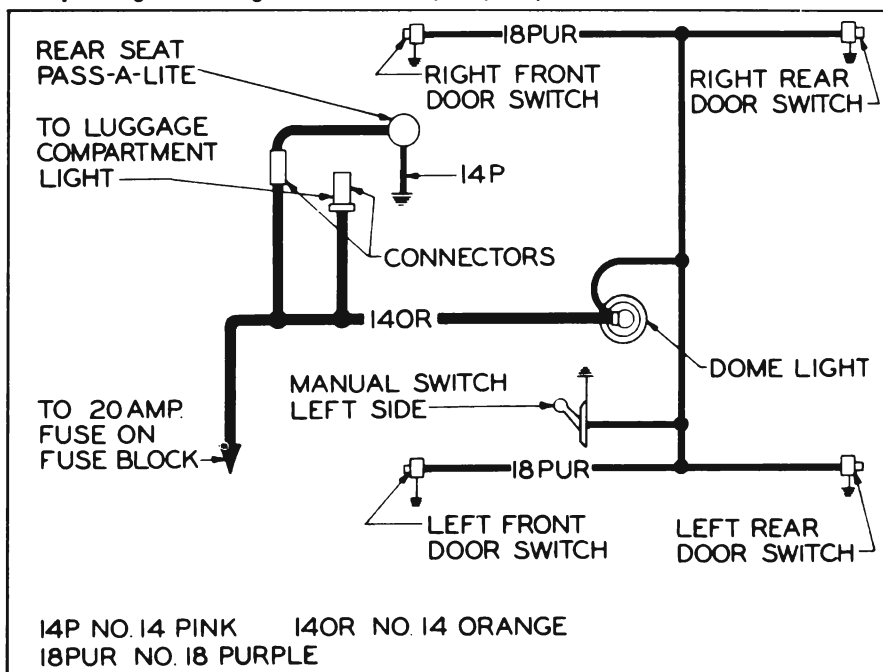


Figure 10-79—Dome Lamp Wiring Circuit Diagram—Models 52 and 72

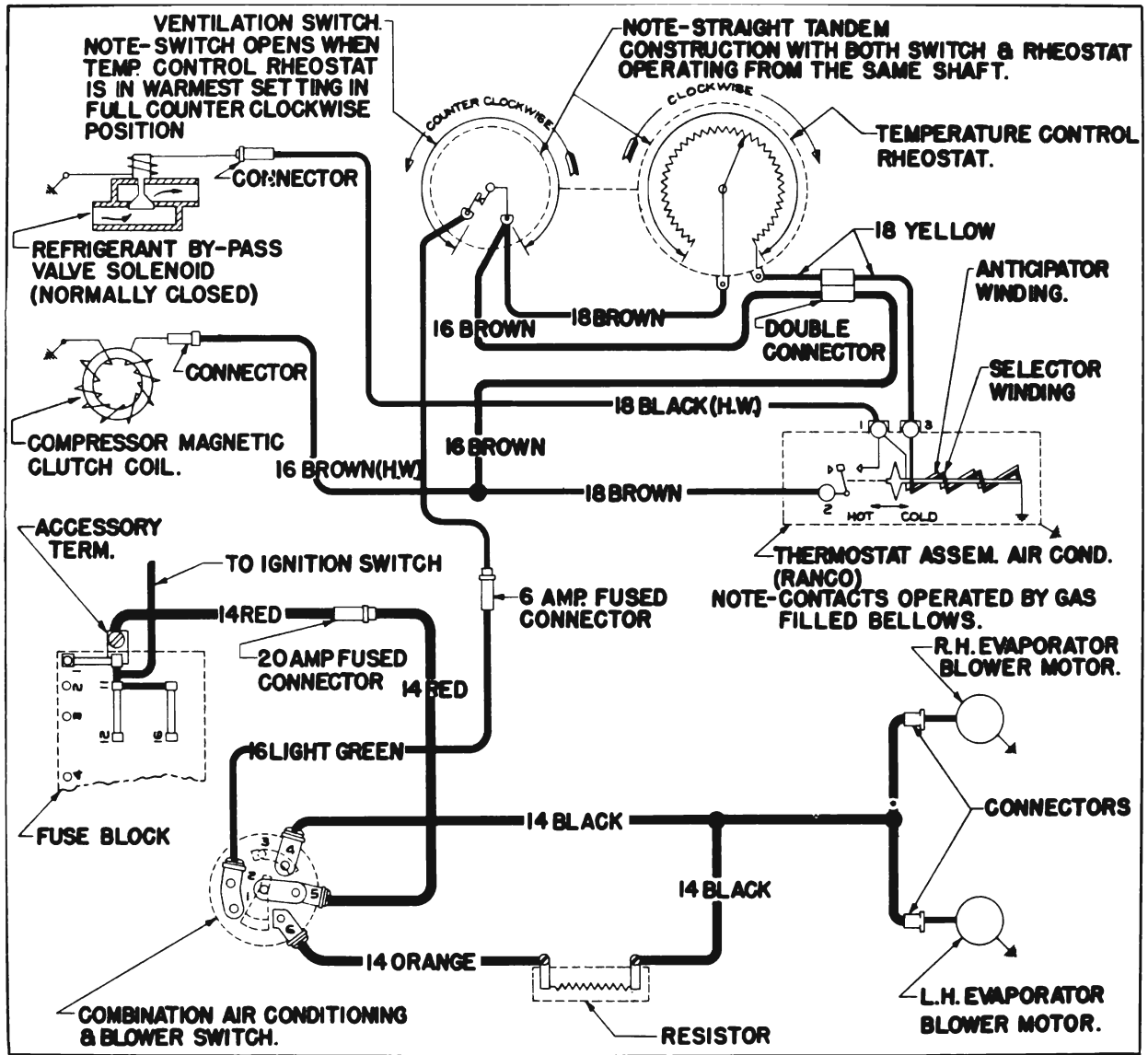


Figure 10-80—Air Conditioner Wiring Circuit Diagram

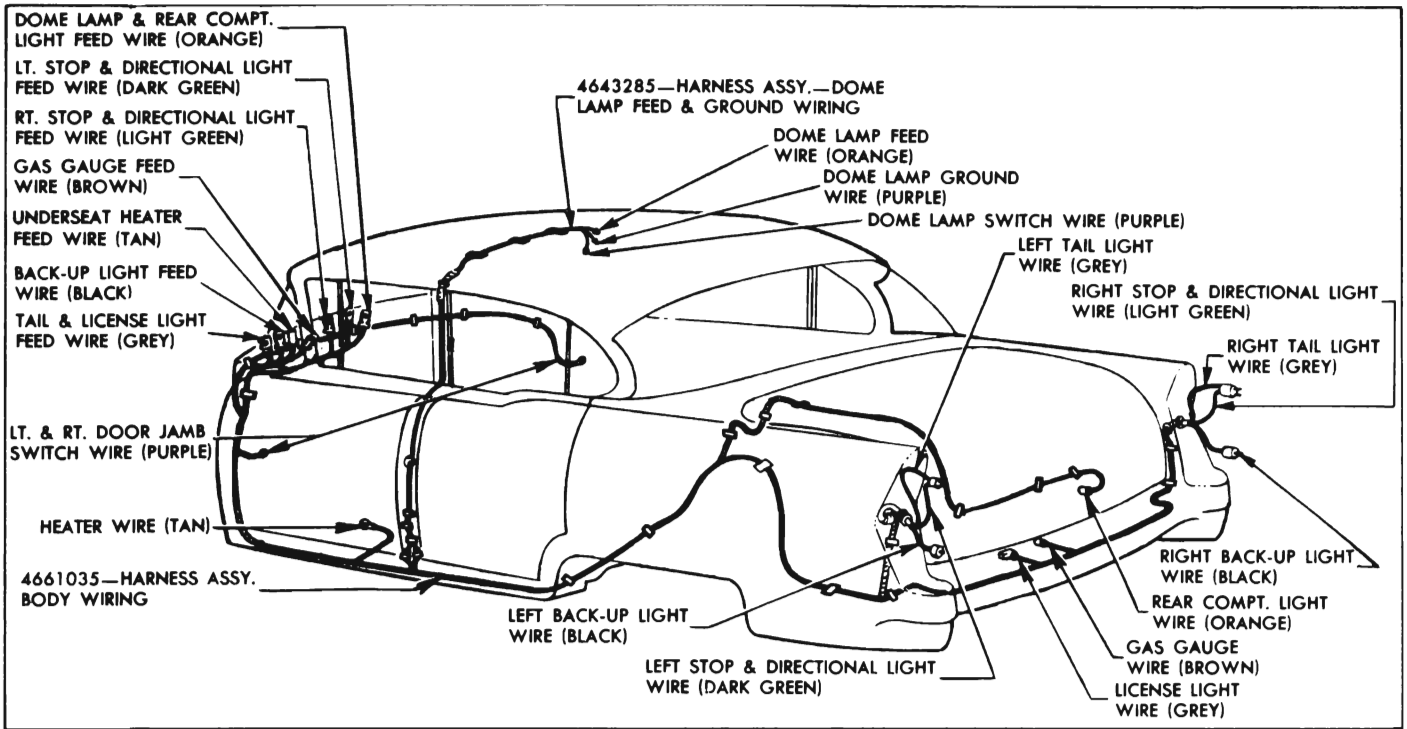


Figure 10-81—Body Wiring Circuit Diagram—Model 41—Style 4469

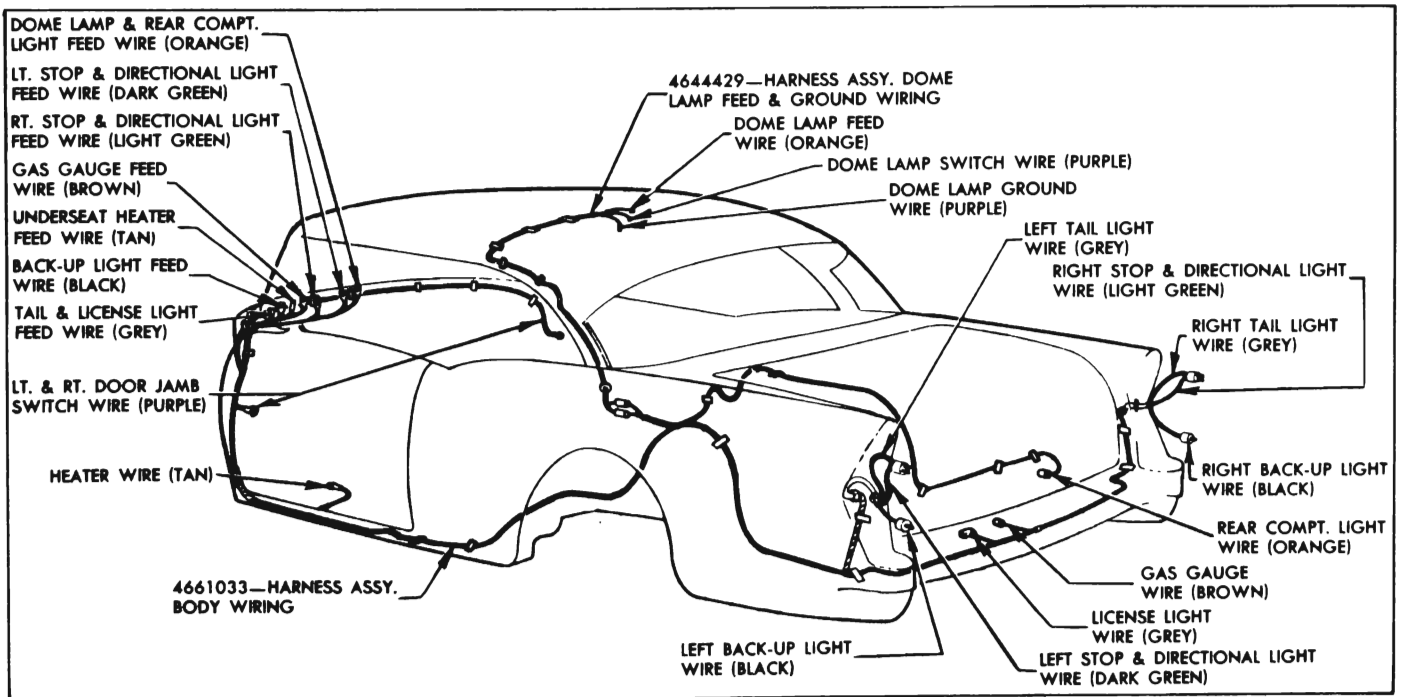


Figure 10-82—Body Wiring Circuit Diagram—Models 46R, 66R—Styles 4437, 4637

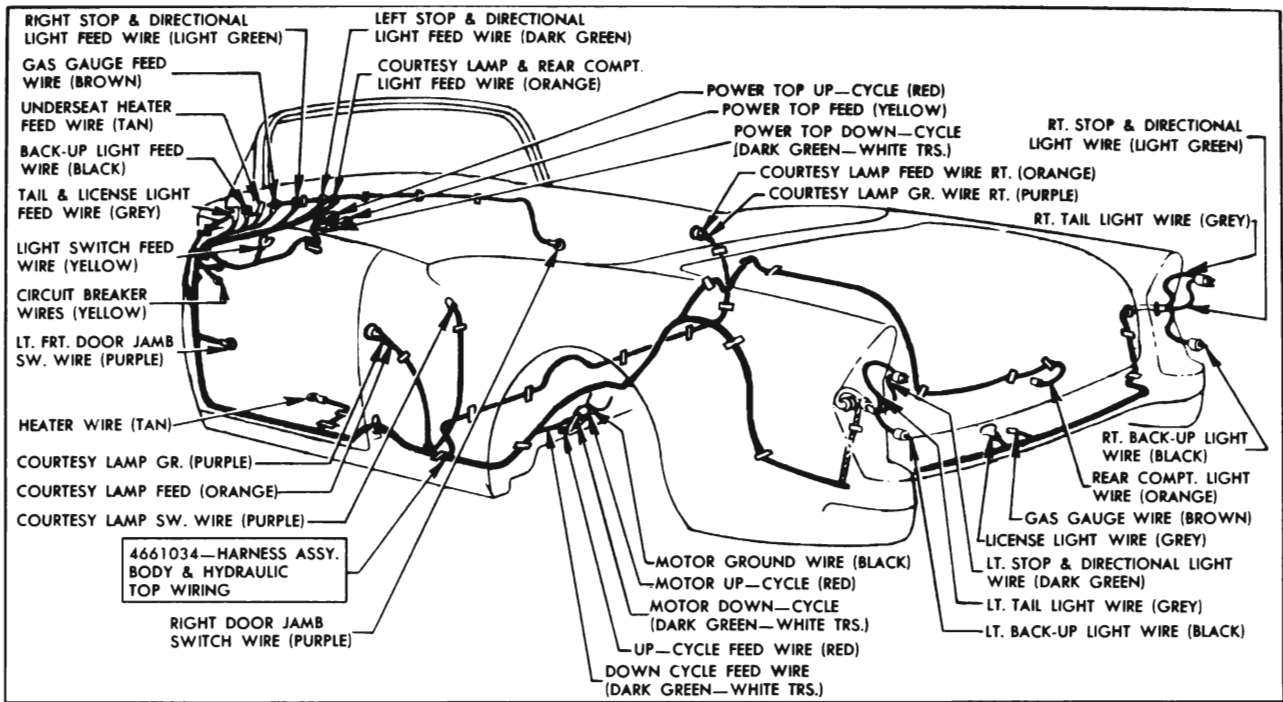


Figure 10-83—Body Wiring Circuit Diagram—Model 46C—Style 4467TX

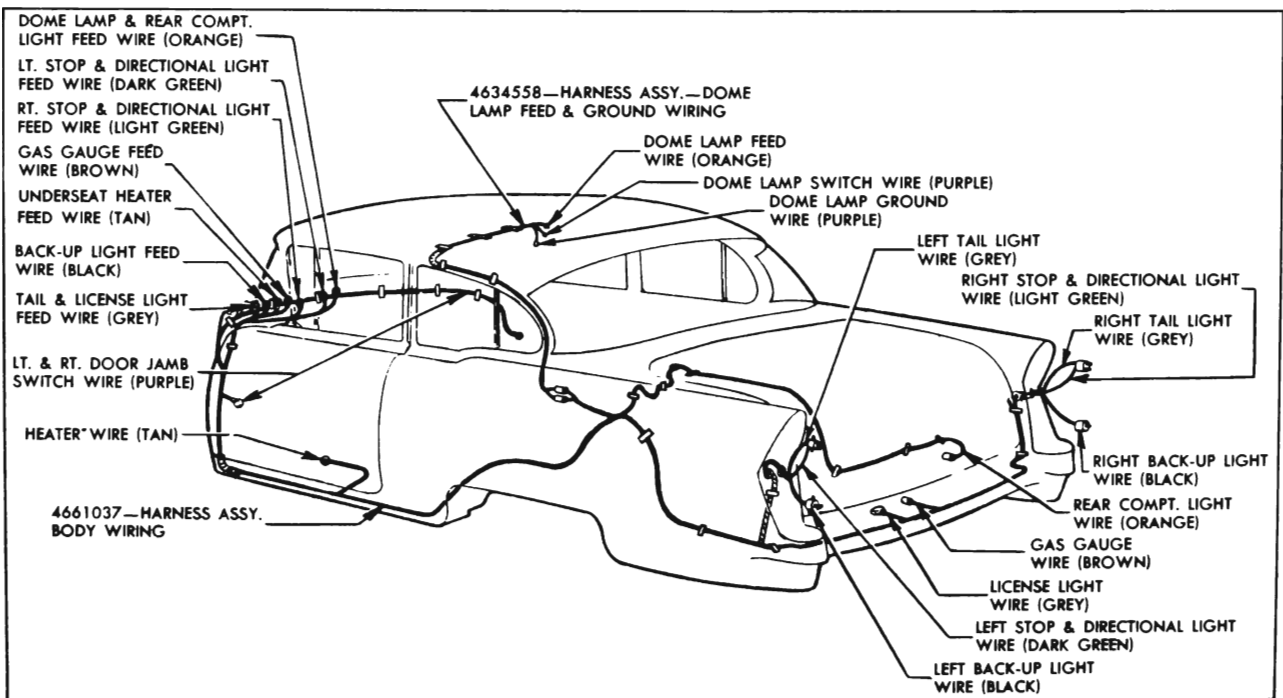


Figure 10-84—Body Wiring Circuit Diagram—Model 48—Style 4411

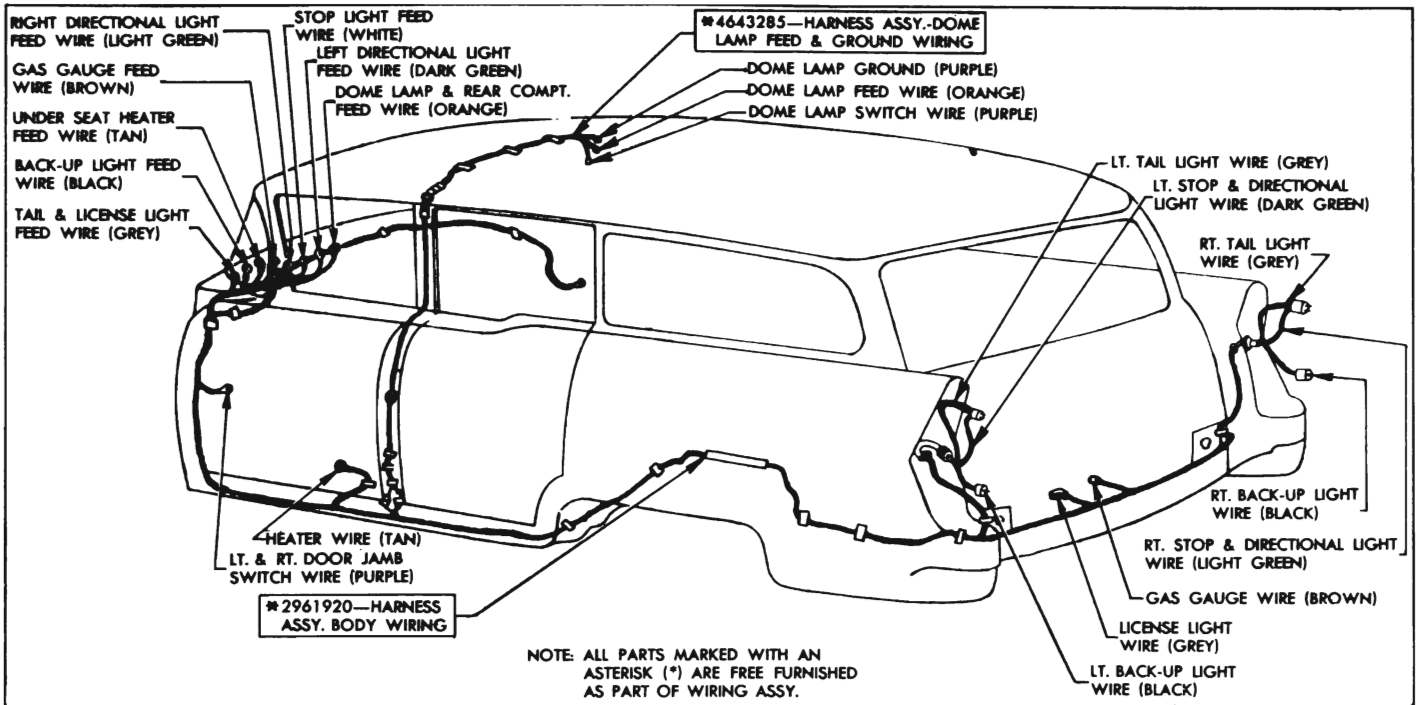


Figure 10-85—Body Wiring Circuit Diagram—Models 49, 69—Style 4481

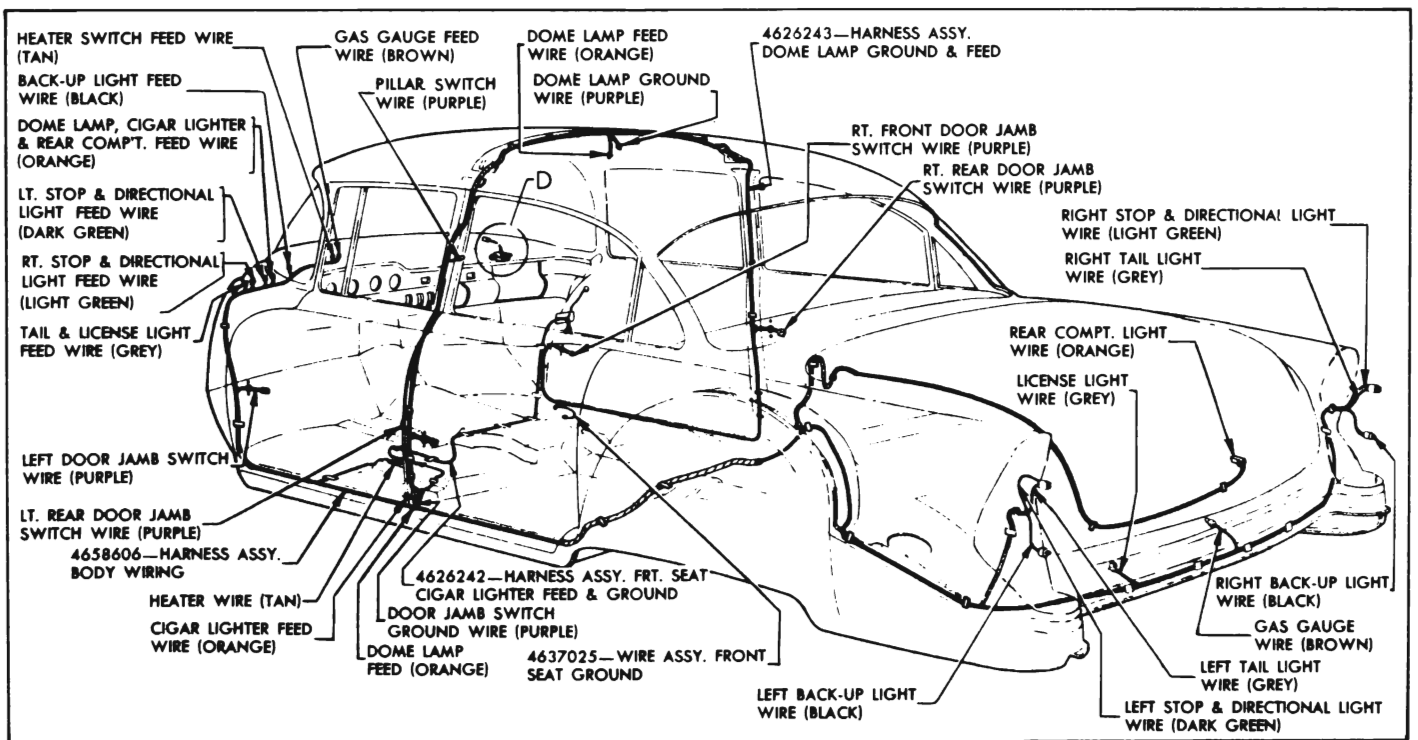


Figure 10-86—Body Wiring Circuit Diagram—Models 52, 72—Styles 4519, 4719

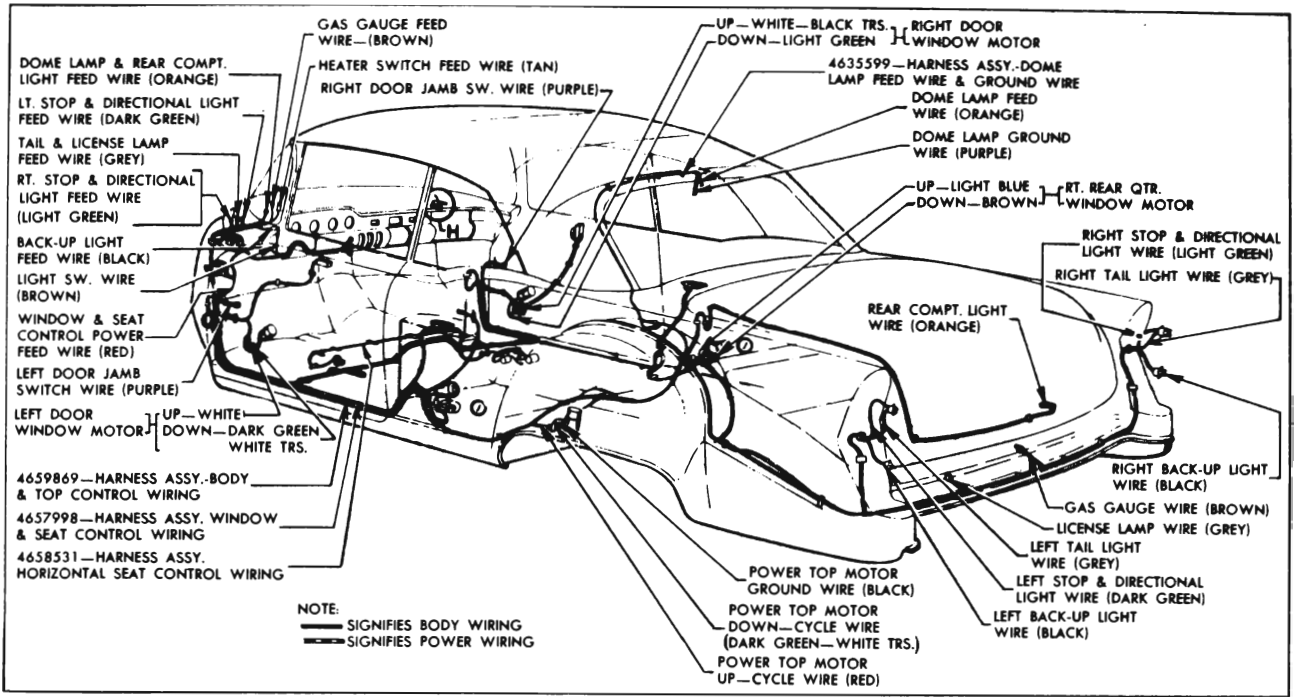


Figure 10-87—Body Wiring Circuit Diagram—Models 56C, 76C—Styles 4567X, 4767X

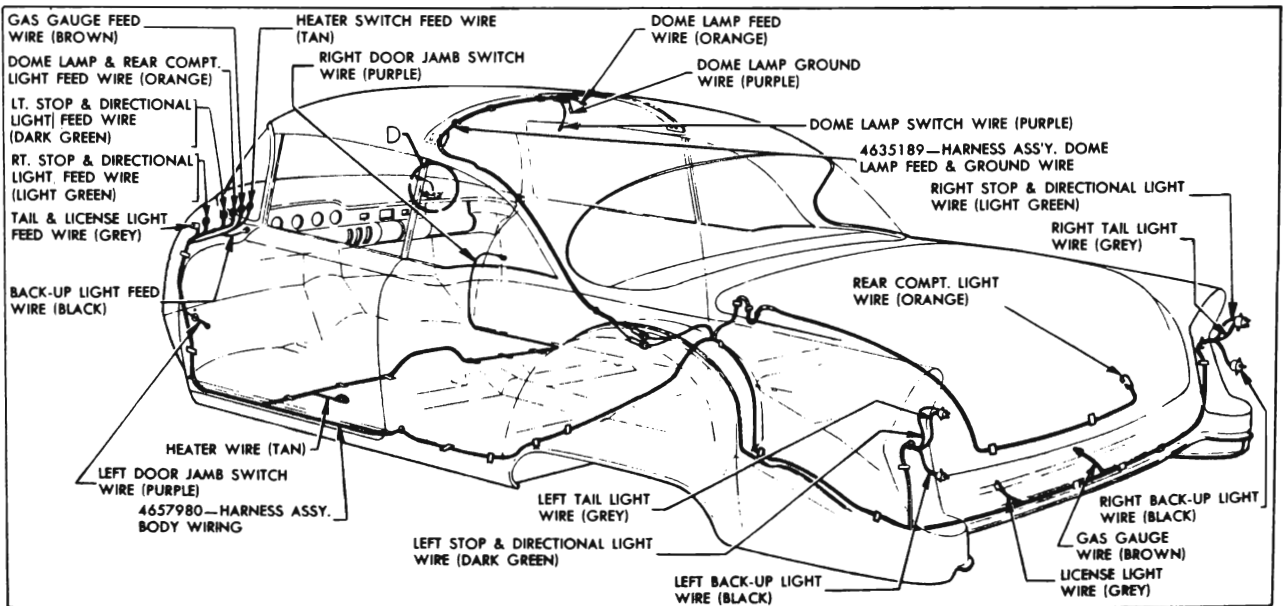


Figure 10-88—Body Wiring Circuit Diagram—Model 56R—Style 4537

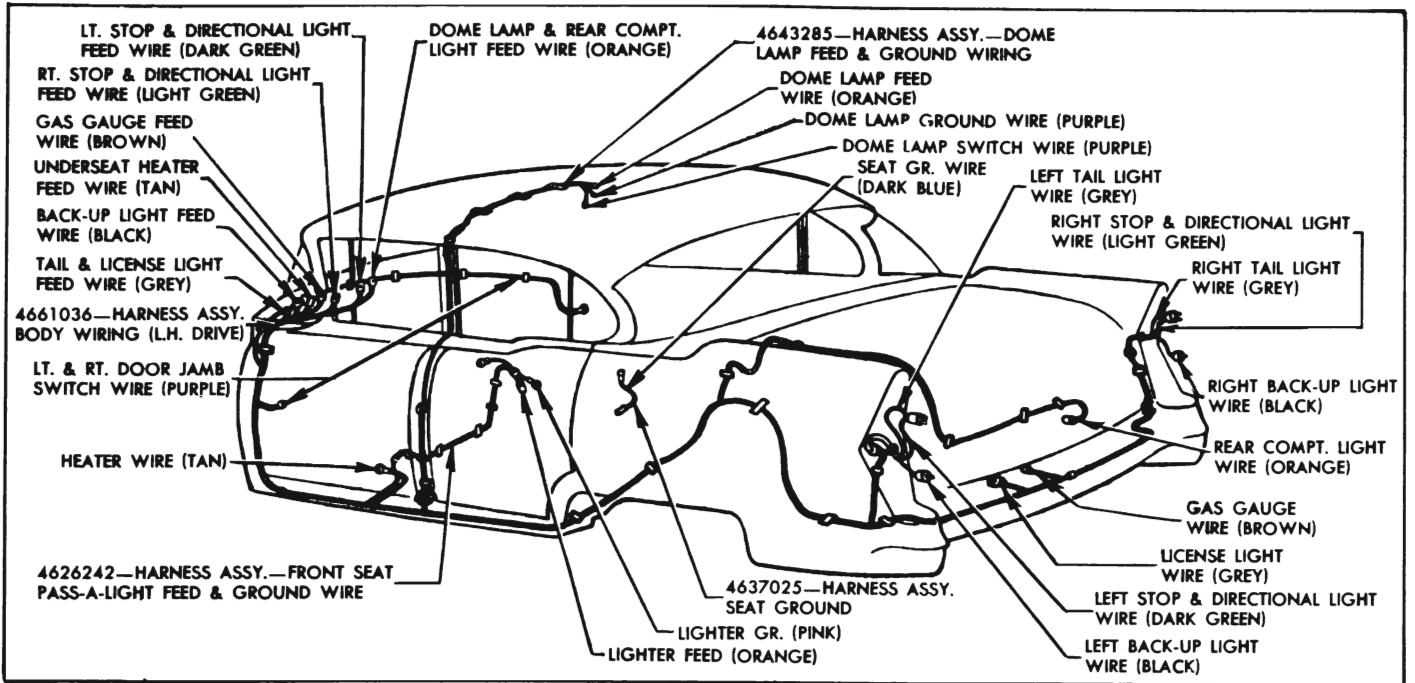


Figure 10-89—Body Wiring Circuit Diagram—Model 61—Style 4669

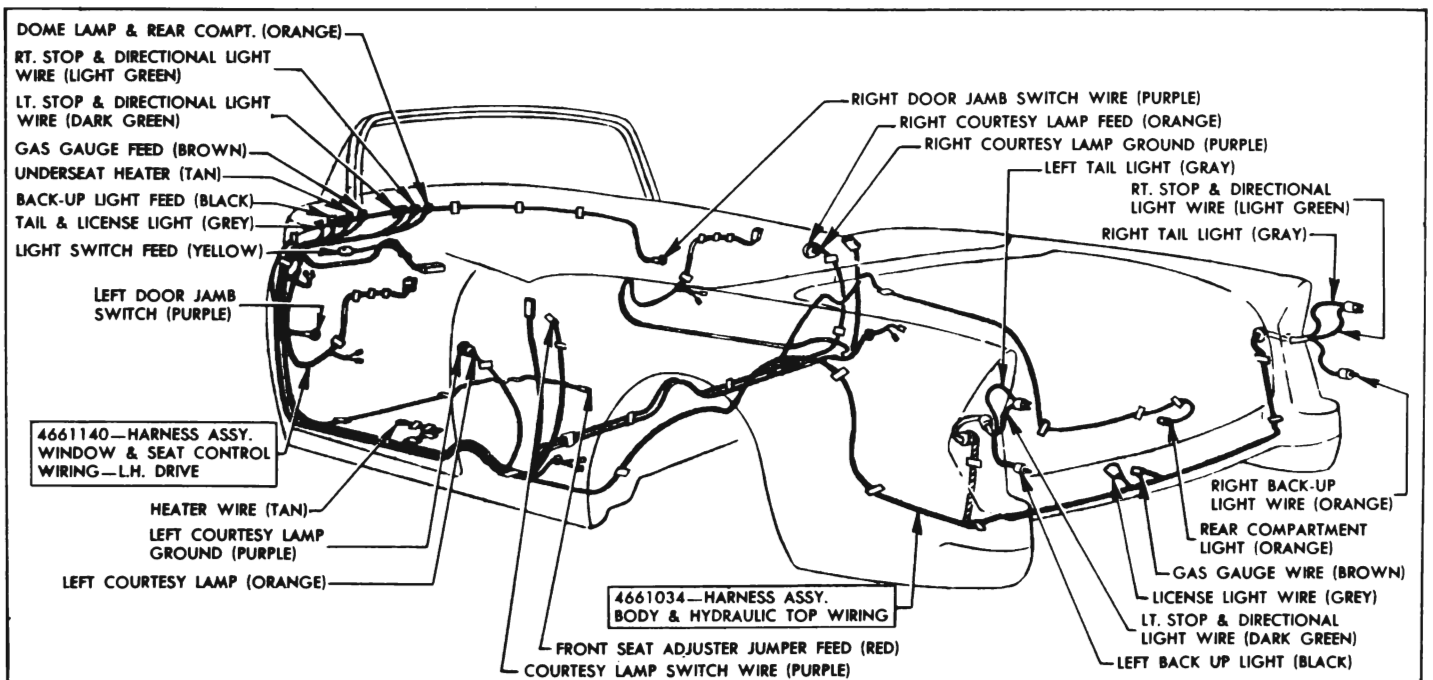


Figure 10-90—Body Wiring Circuit Diagram—Models 66C—Style 4667X

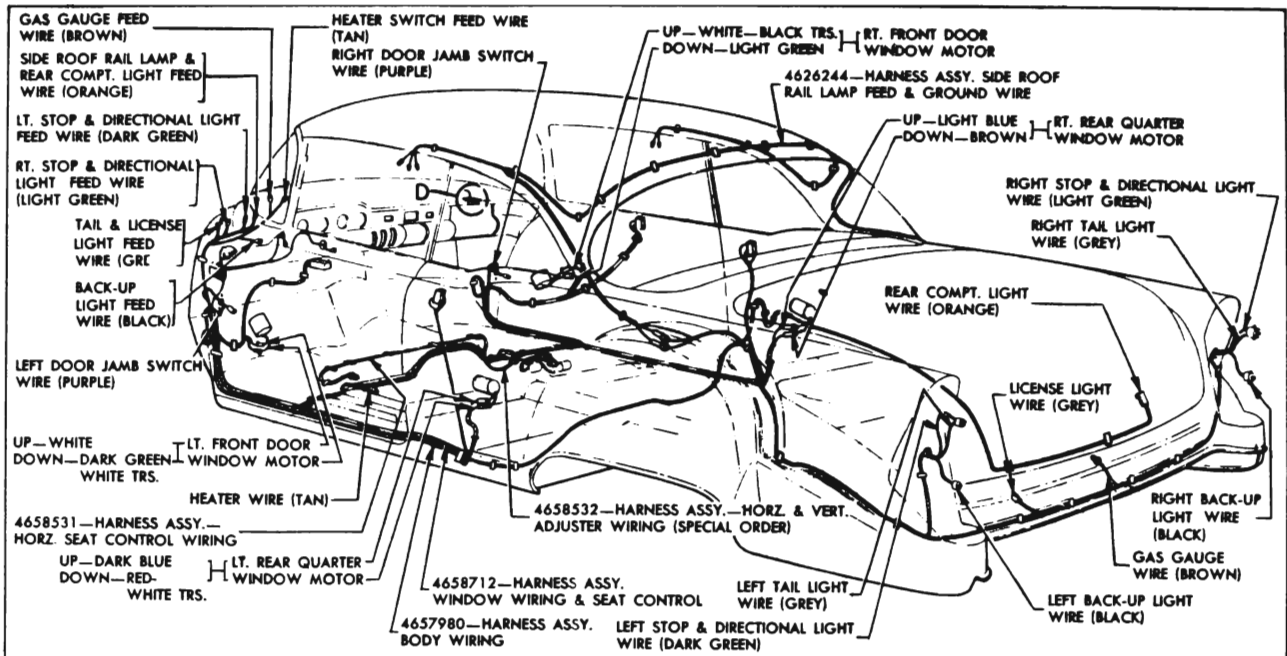


Figure 10-91—Body Wiring Circuit Diagram—Model 76R—Style 4737X