

SECTION C

Generating System All Except 49000 Series

CONTENTS

Division	Subject	Paragraph
I	TROUBLE DIAGNOSIS:	
	Trouble Shooting Charging System	68-24
	Inspecting Charging System	68-25
	Regulator Inspection	68-26
	Delcotron Generator Tests	68-27
II	DESCRIPTION AND OPERATION:	
	Description of Delcotron Generator	68-28
	Description of Regulator	68-29
	Operation of Charging System	68-30
III	ADJUSTMENTS AND MINOR SERVICE:	
	Tailoring the Voltage Setting	68-31
IV	REMOVAL AND INSTALLATION:	
	Delcotron Generator - Removal and Installation	68-32
V	OVERHAUL AND MAJOR SERVICE:	
	Delcotron Generator - Repair on Bench	68-33
VI	SPECIFICATIONS:	
	Generating System Specifications	68-34

DIVISION I

TROUBLE DIAGNOSIS

68-24 TROUBLE-SHOOTING CHARGING SYSTEM

SPECIAL PRECAUTIONS: Alternating current charging system circuits are completely different from direct current charging system circuits. Therefore, none of the trouble-shooting checks used for direct current systems can be used. The diodes may be burned out if you do not observe the following precautions:

1. *Never arc terminals.* Never short between terminals on the generator or regulator; never arc any terminal to ground. The field has no residual magnetism and therefore cannot be polarized; any attempt to do so may cause damage.
2. *Always observe polarity.* Use extreme caution before installing a battery, connecting a fast charger or connecting a booster battery to insure that the ground polarity is matched to the ground polarity of the generator and regulator. For example, if a battery is accidentally installed in reverse, the diodes in the generator may be burned out and the wiring harness between the generator and battery will be burned. The generator charging system is a negative ground system, just as Buick's charging systems have always been.
3. *Always disconnect battery* before doing any work on the generator or regulator.

Complaints on operation of the charging system generally fall into one of the following classifications. Go through steps listing possible troubles in order until the trouble is found.

a. Battery Runs Down

1. Check voltage drop from the *battery terminal* to the *cable terminal* while cranking the engine. If voltage drop is over 1/10 volt, clean the connection. Repeat on other terminal.
2. Check for loose connections at cranking motor, Delcotron, bulkhead connector, and at ignition switch (if it is a "not cranking" complaint), and check for loose belt with Gauge J-23600. Belt tension should be 80 lbs.
3. Check battery specific gravity. If it is not above 1.200, use a slave battery before proceeding with the tests.
4. Connect a voltmeter across the battery.
5. Place carburetor on high step of fast idle cam. (This will provide a generator speed fast enough for a maximum charging rate.)
6. Turn off all accessories. Start engine. (Do not touch accelerator pedal.)

7. Bring engine up to operating temperature. Read voltmeter. If reading settles out to between 13.0 and 14.5 volts after about one minute, voltage regulator is okay. If not, refer to voltage regulator check in paragraph 68-26.

8. Switch on all possible continuous accessory loads (high beam headlights, A/C high blower, low speed wipers, radio, and blower-type rear window defogger). Read voltmeter. If reading is stabilized at 12 volts or higher, generator is okay. If not, refer to generator test in paragraph 68-27.

9. If "run-down" battery is the complaint and all the above checks were okay, the problem can either be excessive city driving with heavy electrical load (no fix, except a higher output generator or a change in driving habits), or a "shut down" battery drain. Disconnect positive cable from battery. Connect the positive lead of an ammeter to the positive battery post. The ammeter must be capable of reading to 0.1 ampere. Complete the circuit by "lightly" touching the ammeter negative lead to the disconnected positive battery cable. Any reading over 0.1 ampere (100 milliamperes) indicates a short circuit.

b. Battery Uses Too Much Water

1. *Check battery condition.* Test battery using 421 Battery Tester to see if there is a shorted cell. A battery having a shorted cell will use water excessively. Replace a defective battery.
2. *Check voltage regulator setting,* as described in Delcotron Generator Tests paragraph. If voltage setting is high, adjust to specifications. If voltage setting is within limits, lower voltage setting slightly as described in paragraph on Tailoring Voltage Setting.

c. Faulty Indicator Light Operation

There are three conditions of indicator light operation which indicate trouble in the charging system.

1. *Indicator light on - ignition off.* This is caused by a shorted positive diode. There will be a continuous drain on the battery through the generator. Remove generator for disassembly, test and repair.
2. *Indicator light off - ignition on.* Before the engine is started, the indicator light should glow at about 1/2 the brightness of the oil pressure light. If the light does not come on, check for either a burned out bulb or an open in the indicator light circuit. A shorted diode as described in Step 1 will also cause the indicator light to go off when the ignition is switched on.
3. *Indicator light on - engine running.* This can be caused by a loose or missing belt, a defective field relay, or a defective generator. Determine source of trouble as follows:

- (a) Check generator belt tension.

(b) Check voltage at field relay coil by connecting a voltmeter from regulator "2" terminal to ground. If voltmeter reading is *above 5 volts* and the indicator light fails to go out, field relay is defective. If voltmeter reading is *below 5 volts*, field relay is probably okay so proceed with Step c.

(c) Check voltage at generator field by connecting a voltmeter from generator "F" terminal to ground. If voltmeter reading is *below 5 volts*, check for a resistance or open in the circuit that should supply the initial field current. See Figure 68-38.

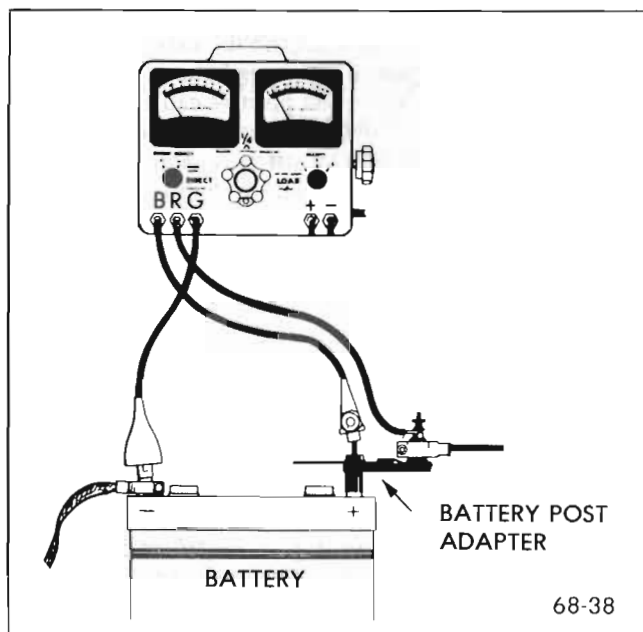


Figure 68-38 - Connecting Ammeter Leads

If voltmeter reading at "F" terminal is *above 5 volts* but voltage output from "R" terminal is low, trouble is in the generator. Hookup test instruments and check current output of generator as described in Delcotron Generator Tests paragraph. If output is low, remove generator for disassembly, test and repair.

68-25 INSPECTING CHARGING SYSTEM

At regular intervals, inspect the terminals for corrosion and loose connections, and the wiring for frayed insulation. Check the mounting bolts for tightness and the belt for alignment, proper tension and wear. Belt tension should be adjusted to 80 pounds as measured with Gage J-23600. When tightening belt tension, apply pressure against the stator laminations between the end frames, and not against either end frame.

Noise from a Delcotron generator may be caused by worn or dirty bearings, loose mounting bolts, a loose drive pulley, a defective diode, or a defective stator. There is always a certain amount of magnetic whine present. This is especially true under heavy electrical load, such as when charging the battery after engine cranking. Unless there is

actually electrical trouble in the system, nothing can be done about it.

68-26 REGULATOR INSPECTION

If voltage fluctuates, look for loose or corroded connections in the charging system. If all circuit connections are clean and tight but the regulator cannot be adjusted to a steady value, the voltage contacts are probably oxidized. Do not attempt to clean the contacts; instead, replace the regulator.

NOTE: *On cars equipped with the 63 amp. Delcotron, a special voltage regulator must be used. It has a diode at the "F" terminal to handle the higher field current of that Delcotron.*

68-27 DELCOTRON GENERATOR TESTS

a. Test Current Output

1. Check generator belt condition and tension. Adjust to 80 lbs. using Gage J-23600.
2. Install a battery post adapter at the positive post as shown in illustration.

NOTE: *Illustration shows "top" terminal battery. Adapters are also available for side terminal batteries.*

3. Connect ammeter leads as shown in illustration: red lead toward generator, black lead to battery positive post and ground lead to battery negative post.
4. Connect voltmeter across the battery; red lead at generator side of battery post adapter and black lead to battery negative post.
5. Make sure all electrical accessories are turned off. Start engine with battery post adapter switch closed; open switch as soon as engine is started.
6. Place carburetor on highest step of fast idle cam.
7. Turn tester control knob to "LOAD" position and adjust knob to obtain highest possible ammeter reading. Highest ammeter reading must be at least two-thirds amperes of output rating stamped on generator (i.e., 37A, 42A, 55A).
8. If output is low, supply field current direct to cause full generator output as follows: Unplug connector from generator. Connect a jumper such as Adapter J-21053 from generator "F" terminal to "BAT" terminal. Retest as described in Steps 6 and 7. If output is still low, generator is faulty and must be removed for repairs.
9. If output (using field jumper) is now okay, defect is in wiring harness or in regulator. Remove field jumper and reinstall vehicle field connector. Check all wiring connections. If all wiring is okay, try replacing regulator. If output is okay with new regulator, old regulator was defective.
10. Follow-up output test with a voltage regulator test as described in subparagraph b.

b. Test and Adjust Double Contact Regulator

1. Test generator current output first, as described in subparagraph a. Leave test instrument connected, but make sure field jumper is removed, if used.

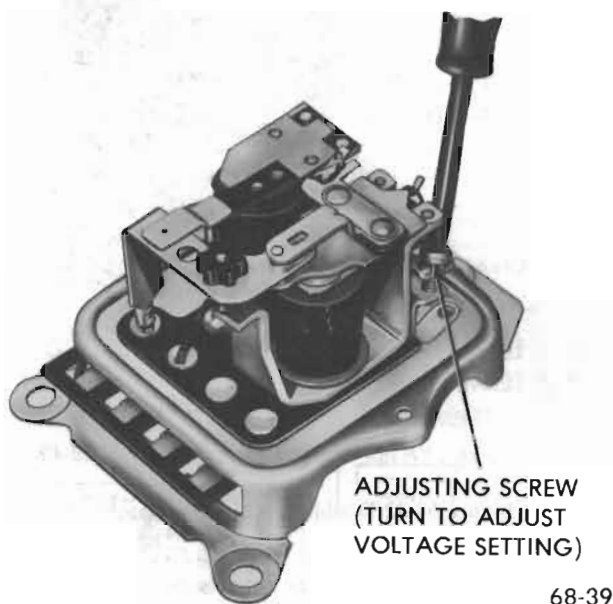
2. Make sure all electrical accessories are turned off. Start engine. Open battery post adapter switch and place carburetor on step of fast idle cam which will result in approximately 1500 RPM.

3. Turn tester control knob to "1/4 OHM" position. Run engine a minimum of 15 minutes to normalize regulator temperature. Cycle the regulator by detaching then re-connecting the harness connector at the regulator. Read voltmeter. Any reading between 13.5 and 14.5 volts is okay. If voltage regulator setting is within these limits and battery condition has been satisfactory, voltage setting should not be disturbed.

4. If voltage regulator setting is out of limits, unplug connector from regulator, then remove regulator cover.

CAUTION: *If cover touches either regulator unit while the regulator is connected and operating, the resulting arc may ruin the regulator assembly.*

5. Reinstall connector to regulator. Adjust voltage regulator to 14 volts. To increase voltage setting, increase spring tension; to decrease voltage setting, decrease spring tension. See Figure 68-39.



68-39

Figure 68-39 - Adjusting Voltage Regulator Setting

CAUTION: *Always make final adjustment by increasing spring tension to assure contact between adjusting screw head and spring support.*

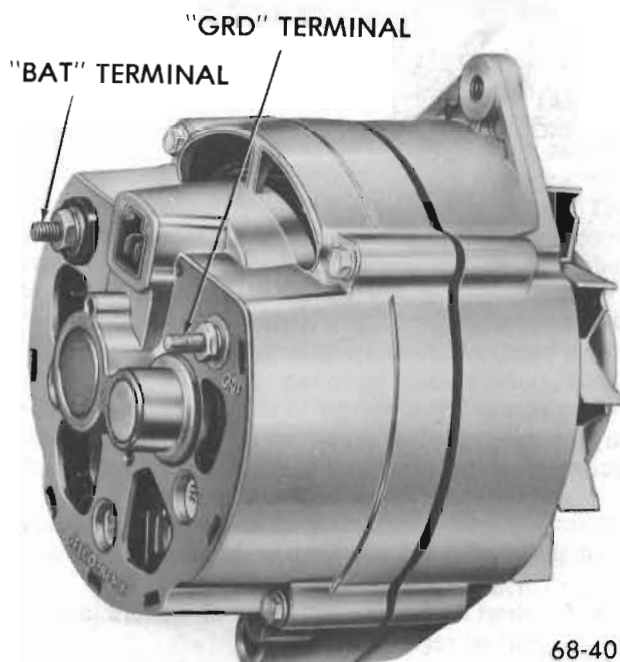
6. Return engine speed to idle, then stop engine. Reinstall regulator cover.

DIVISION II

DESCRIPTION AND OPERATION

68-28 DESCRIPTION OF DELCOTRON GENERATOR

"Delcotron" generators are continuous-output, diode-rectified alternating current generators. See Figure 68-40. The rotor is mounted on a ball bearing at the drive end, and a roller bearing at the slip ring end, and each bearing has a grease supply which eliminates the need for periodic lubrication. Two brushes are used to carry current through the two slip rings to the field coil which is mounted on the rotor. The brushes are extra long and under normal operating conditions will provide long periods of service.



68-40

Figure 68-40 - Delcotron Generator

The stator windings are assembled on the inside of a laminated core that forms part of the generator frame. See Figure 68-41.

Six rectifier diodes are mounted in the slip ring end frame and are connected to the stator windings. The six diodes act to change the generator AC voltages to DC voltage which appears at the "BAT" terminal of the generator.

IMPORTANT: *Since the generator and regulator are designed for use on only one polarity system (negative ground), the following precautions must be observed when working on the charging circuit. Failure to observe these precautions will result in serious damage to the electrical equipment.*

1. When installing a battery, always make absolutely sure the negative post is toward ground.

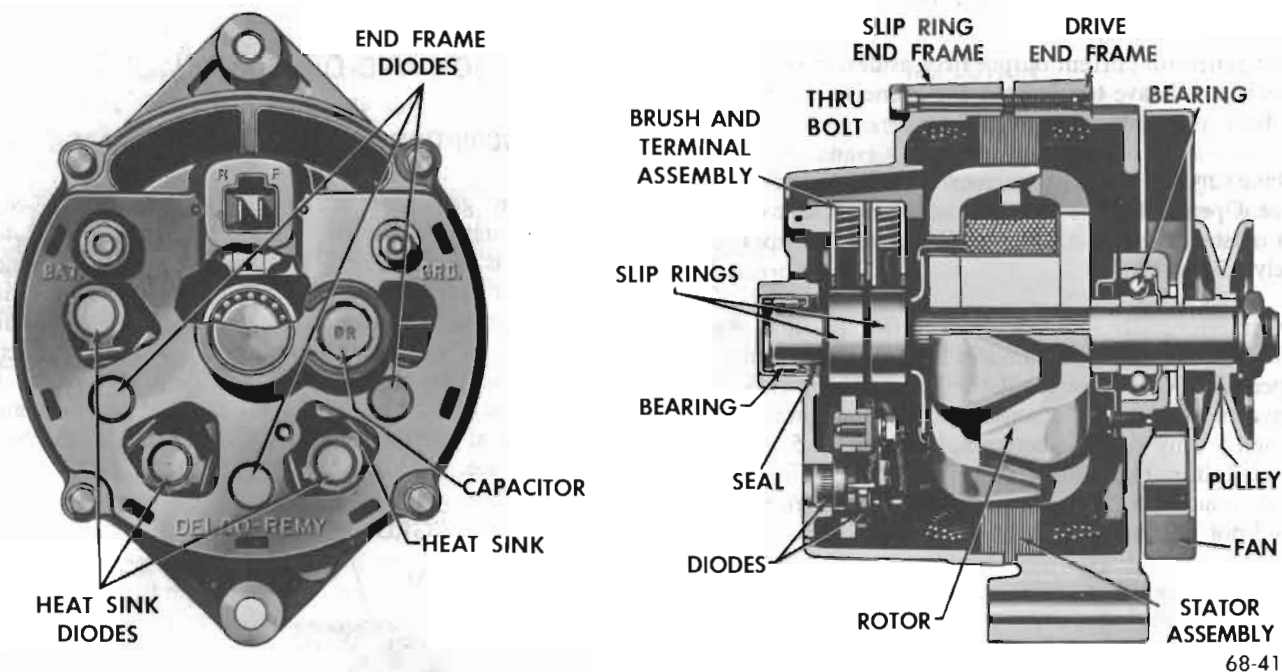


Figure 68-41 - Sectional View

2. When connecting a booster battery make certain to connect the negative battery terminals together and the positive battery terminals together.
3. When connecting a charger to the battery, connect the charger positive lead to the battery positive terminal and the charger negative lead to the battery negative terminal.
4. Never operate the generator on an open circuit. Make absolutely certain all connections in the circuit are secure.
5. Do not short across or ground any of the terminals on the generator or regulator.
6. Do not attempt to polarize the Delcotron generator.

68-29 DESCRIPTION OF REGULATOR

Double Contact

The regulator assembly is made up of a double contact voltage regulator unit and a field relay. See Figure 68-37. The voltage regulator unit operates to limit the generator voltage to a preset maximum. The field relay connects and disconnects the voltage regulator and generator field directly to the battery. The indicator lamp lights at about 1/2 brightness when the ignition switch is turned on; when the engine is started, the indicator light goes out. If the indicator light ever comes on with the engine running, trouble in the charging system is indicated. See Figure 68-53.

The function of the regulator in the charging circuit is to limit the maximum generator voltage to a preset value by controlling the generator field current.

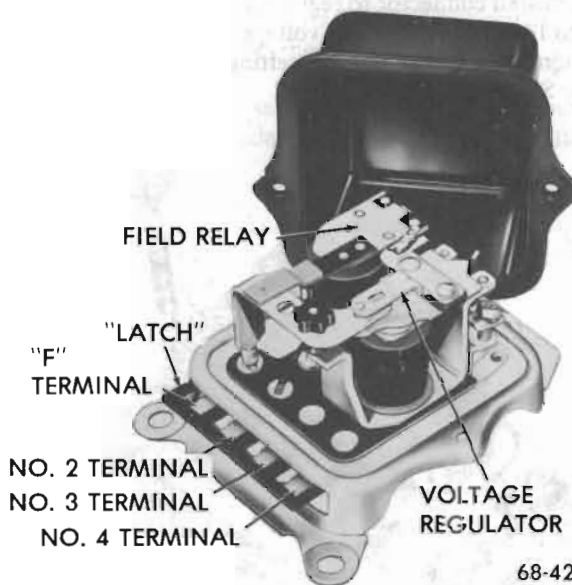


Figure 68-42 Double Contact Regulator

The voltage at which the generator is limited is determined by the regulator adjustment. Once adjusted, the generator voltage remains practically unchanged, since the regulator is relatively unaffected by such factors as length of service, changes in temperature, or by changes in generator output and speed.

In the negative ground circuit when the ignition switch is closed and the engine is not running, the indicator lamp lights because its circuit from the battery is completed to ground through the indicator light relay contacts, which

are normally closed. Also with the ignition switch closed, the winding on the field relay is energized. This causes the field relay contacts to close, which connects the winding on the indicator light relay to the battery. If the battery has been charged recently and is not loaded, the indicator light relay contacts may separate, causing the light to go out. Thus, the light will flash on and then go out when the switch is closed. However, if the battery is in a discharged condition or has been standing for some time without being charged, the light will not go out until the higher voltage from the generator causes the light relay contacts to separate. If the charging system should fail to operate properly, the system voltage will decrease, the relay contacts will close, and the lamp will light to indicate trouble in the circuit. If the light stays on for more than 10 minutes with the engine running at moderate or high speed, trouble in the system is indicated.

NOTE: On cars equipped with the 63 amp. Delcotron, a special voltage regulator must be used. It has a diode at the "F" terminal to handle the field current of that Delcotron.

68-30 OPERATION OF CHARGING SYSTEM

Before the generator will put out any current, the rotor field must be energized. The rotor poles have practically no residual magnetism, so unless current is supplied to the field from the battery, there can be no output from the generator.

When the ignition switch is turned on, current flows immediately through the field to ground inside the generator. Before the engine is started, the path of the field current is from the junction block, to the "BAT" terminal of the ignition switch, through the switch to both the "IGN" and the "ACC" terminal. From the "IGN" terminal, current flows through the generator indicator light in the instrument cluster (causing it to light), to the "4" terminal of the regulator. See Figure 68-43.

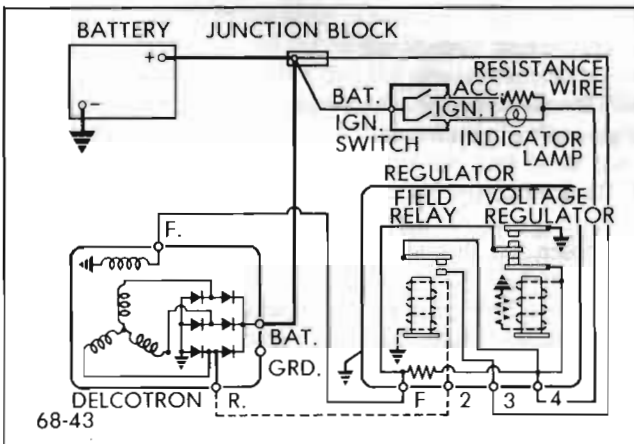


Figure 68-43 - Delcotron Generator Wiring Circuit Diagram

The indicator light circuit allows only about 1/4 ampere to flow, which is not sufficient to initially energize the fields. Therefore, a parallel circuit is necessary; this circuit

allows about 3/4 ampere to flow from the "ACC" terminal, through the large cowl connector, through a 10 ohm resistance wire to the "4" terminal of the regulator. The combined current of about one ampere flows through the lower contacts of the voltage regulator (held closed by the spring), out the "F" terminal of the regulator, in the "F" terminal of the generator, through the brush and slip ring to ground. See Figure 68-43.

When the engine is started, the stator windings immediately put out a voltage. This voltage is conducted from one phase of the stator, out the "R" terminal of the generator, in the "2" terminal of the regulator, through the field relay windings to ground. Even a low voltage at the field relay is sufficient to overcome the spring tension of the armature, thereby closing the field relay contacts.

The instant the field relay closes, the field current is supplied directly from the battery instead of through the ignition switch and resistance wire. The field current then comes from the battery, into the "3" terminal of the regulator, through the field relay, and on through the field as before. This allows the same voltage to be present at the "4" terminal as at the ignition switch, thereby causing current to stop flowing through either connecting wire and causing the generator indicator light to go out. The field relay, therefore, has a dual function; it not only completes the circuit between the battery and the field, but also acts as an indicator light relay.

The voltage regulator armature has two contact points which are over and under stationary contact points. When the voltage regulator unit is not operating, the tension of a spiral spring holds the armature away from the core so that the lower set of contacts is closed. See Figure 68-43.

Generator output depends on two variables: Speed and field strength. Only the field strength can be controlled, however. Voltage regulator operation varies according to operating conditions of the car electrical system.

There are several stages of voltage regulator operation as follows:

a. Lower Contacts Closed

When the accessories and/or battery need a great deal of current, but the engine speed is low, the lower contacts will remain tightly closed to allow full field current of approximately 2 amperes. The accessory load not supplied from the generator will be supplied from the battery.

b. Lower Contacts Vibrating

When the accessory load or battery needs are somewhat less, or the engine speed is a little higher, 2 amperes field current would cause too much generator output. Therefore, the lower voltage regulator contact will vibrate to reduce field current. When the contacts are open, the entire field current must flow through the resistor, which limits current to about 3/4 ampere. While the lower contacts are vibrating, then, field current will be somewhat

between 2 amperes and 3/4 ampere, depending on the rate of vibration.

c. Both Contacts Open

When the balance of the accessory load and the engine speed is such that approximately 3/4 ampere field current will provide exactly the needed generator output, the voltage regulator armature will "float" with neither set of contacts touching. Any change in speed or load will upset the balance, however, causing the regulator contacts to again vibrate.

d. Upper Contacts Vibrating

When the combined accessory and battery load is low and the engine speed is high, very little field current is required to provide the needed generator output. The voltage in the charging circuit will rise between .1 and .3 volt and the regulator armature will be drawn farther down to operate on the upper set of contacts. When the contacts are open, field current will be about 3/4 ampere; when the contacts are closed, the upper armature grounds the current from the resistor and field current is zero. See Figure 68-43. While the upper contacts are vibrating, then, field current will be somewhere between 3/4 ampere and zero, depending on the rate of vibration.

The regulator does not contain a cutout relay unit. The rectifier diodes act as one-way check valves to prevent the battery from discharging back through the generator, thereby making a cutout relay unnecessary.

The regulator does not contain a current limiting unit because an alternating current generator acts as its own current regulator.

DIVISION III

ADJUSTMENTS AND MINOR SERVICE

68-31 TAILORING THE VOLTAGE SETTING

It is important to remember that the voltage setting for one type of operating condition may not be satisfactory for a different type of operating condition. Vehicle underhood temperatures, operating speeds, and nighttime service all are factors which help determine the proper voltage setting. The proper setting is attained when the battery remains fully charged with a minimum use of water.

If no circuit defects are found, yet the battery is continually undercharged, raise the setting by .3 volt, and then check for an improved battery condition over a service period of reasonable length. If the battery is continually overcharged, lower the setting by .3 volt, and then check for an improved battery condition. However, never adjust the voltage setting higher than 14.5 volts or lower than 13.5 volts (normal temperature).

DIVISION IV

REMOVAL AND INSTALLATION

68-32 DELCOTRON GENERATOR REMOVAL AND INSTALLATION

a. Removal (Without A/C)

1. Disconnect battery cable.
2. Disconnect electrical connections.
3. Remove tensioner bracket bolt.
4. Remove pivot bolt.

NOTE: *On some models it may be necessary to loosen and rotate fan shroud to completely remove pivot bolt from bracket.*

5. Remove Delcotron.

b. Installation (Without A/C)

1. Install Delcotron.
2. Replace pivot bolt.
3. Install tensioner bracket bolt.
4. Adjust Delcotron belt tension to 80 lbs.
5. Hook up electrical connections.
6. Install battery cable.

c. Removal (With A/C)

1. Disconnect battery cable.

NOTE: *Remove air cleaner on cars equipped with the dual-snorkel air cleaner.*

2. Remove compressor mounting brace.
3. Loosen fan shroud by removing mounting bolts.
4. Remove Delcotron tensioner bracket bolt. Loosen bolt that attaches Delcotron to front of engine and swing bracket up and out of way.
5. Remove Delcotron pivot bolt.

NOTE: *On some models it may be necessary to loosen and rotate fan shroud and rotate to completely remove pivot bolt from bracket.*

6. Remove Delcotron belt.

7. Turn Delcotron up on end and remove electrical connection.

8. Remove Delcotron.

d. Installation (With A/C)

1. Install Delcotron.
2. Hook up electrical connections.
3. Install Delcotron pivot bolt.
4. Install Delcotron belt.
5. Install Delcotron tensioner bracket and adjust Delcotron belt tension to 80 lbs.
6. Replace compression mounting brace.
7. Adjust A/C belt tension to 100 lbs.
8. Install fan shroud bolts.
9. Install air cleaner.
10. Connect battery cable.

DIVISION V

OVERHAUL AND MAJOR SERVICE

68-33 GENERATOR REPAIR—ON BENCH

a. Disassembly

To disassemble the generator, take out the four thru-bolts, and separate the drive end frame and rotor assembly from the stator assembly by prying apart with a screwdriver at the stator slot. See Figure 68-41. A scribe mark will help locate the parts in the same position during assembly. The fit between stator and frame is not tight, and the two can be separated easily. Note that the separation is to be made between the *stator frame* and *drive end frame*. After disassembly, place a piece of tape over the slip ring end frame bearing to prevent entry of dirt and other foreign material.

To remove the drive end frame from the rotor, place the rotor in a vise and tighten only enough to permit removal of the shaft nut.

CAUTION: *Avoid excessive tightening as this may cause distortion of the rotor. Remove the shaft nut, washer pulley, fan and the collar, and then separate the drive end frame from the rotor shaft.*

If the rotor shaft has a hex socket in the drive end, use a 5/16" Allen wrench to hold the shaft during removal of the shaft nut.

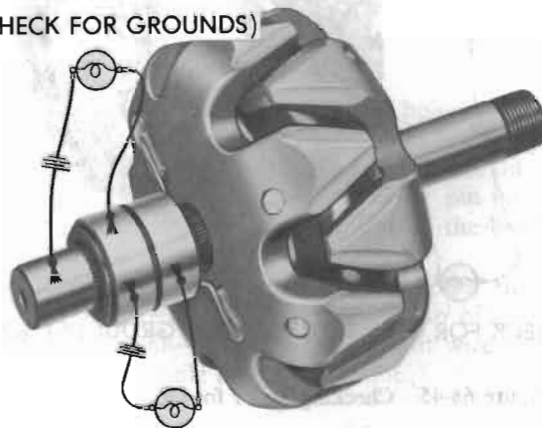
b. Rotor Checks

The rotor may be checked electrically for grounded, open

or short circuited field coils. To check for grounds, connect a test lamp from either slip ring to the rotor shaft. See Figure 68-44. If the lamp lights, the field winding is grounded.

To check for opens, connect the test lamp to each slip ring. If the lamp fails to light, the winding is open.

(CHECK FOR GROUNDS)



(CHECK FOR OPENS)

68-44

Figure 68-44 - Checking Rotor for Opens or Grounds

The field winding is checked for short-circuits by connecting a battery and ammeter in series with the two slip rings. The field current at 12 volts and 80 degrees F. should be between 2.2 and 2.6 amperes. An ammeter reading above the specified value indicates shorted windings.

If the rotor is not defective but the generator failed to supply rated output, the trouble is in the stator or rectifying diodes.

c. Stator Checks

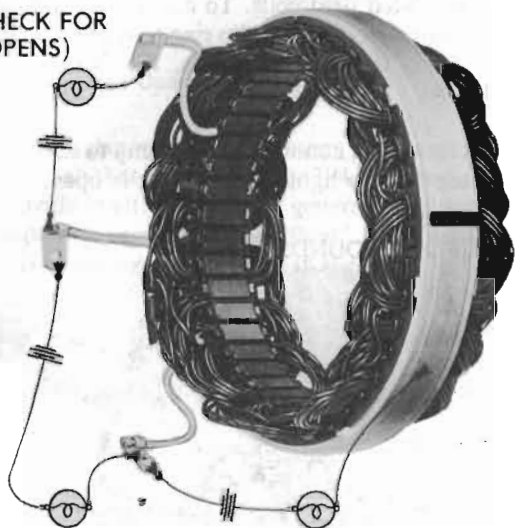
To check the stator windings, remove all three stator lead attaching nuts, and then separate the stator assembly from the end frame. The fit between stator frame and end frame is not tight, and the two can be separated easily.

The stator winding may be checked with a test lamp. If the lamp lights when connected from any stator lead to the frame, the windings are grounded. If the lamp fails to light when successively connected between each pair of stator leads, the windings are open. See Figure 68-45.

A short circuit in the stator windings is difficult to locate without laboratory test equipment due to the low resistance of the windings. However, if all other electrical checks are normal and the generator fails to supply rated output, shorted stator windings are indicated.

d. Diode Checks

Each diode should be checked electrically for a shorted or open condition using a test lamp of not more than 12 volts.

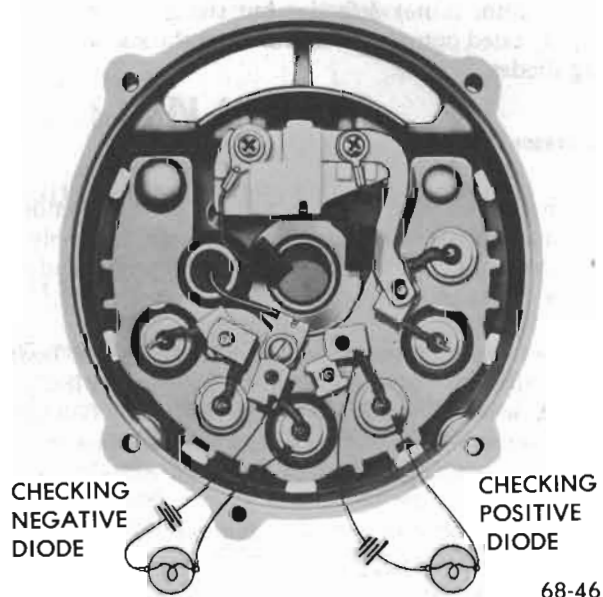
(CHECK FOR
OPENS)

(CHECK FOR OPENS) (CHECK FOR GROUNDS) 68-45

Figure 68-45 - Checking Stator for Opens or Grounds

CAUTION: Do not use a 110-volt test lamp to check diodes.

With the stator disconnected, connect the test lamp leads across each diode, first in one direction and then in the other. See Figure 68-46. If the lamp lights in both checks, or fails to light in both checks, the diode is defective. When checking a good diode, the lamp will light in only one of the two directions.



68-46

Figure 68-46 Checking Diodes for Opens or Shorts

e. Diode Replacement

1. To remove a diode, place slip ring end frame in a vise so that Remover J-9717-1 bears against defective diode

and Support J-9717-2 supports casting. Tighten vise to remove defective diode. See Figure 68-47.

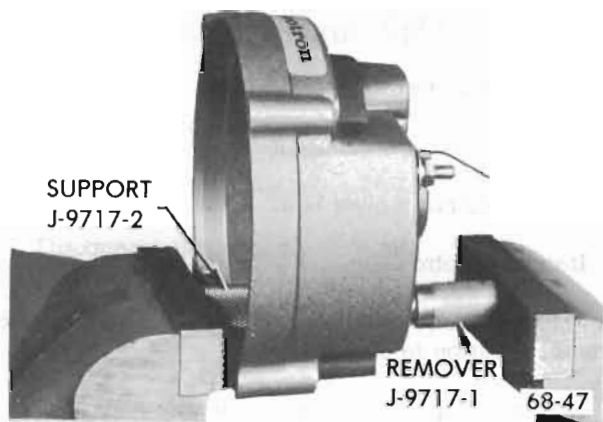


Figure 68-47 Removing a Diode

2. To install a diode, place new diode in Installer J-9600-2. Place slip ring end frame in a vise so that new diode is in position and Remover J-9717-1 supports casting. See Figure 68-48. Tighten vise to install new diode.

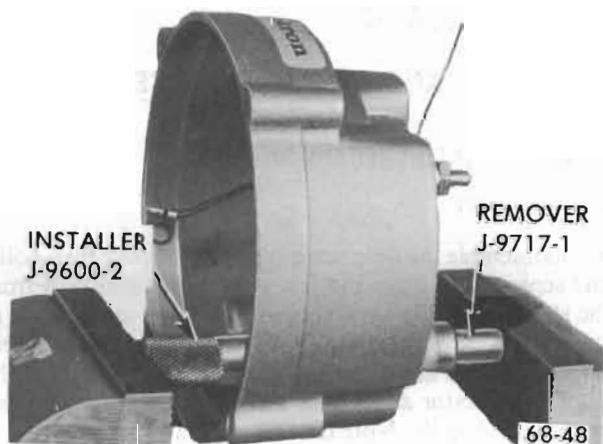


Figure 68-48 Installing A Diode

CAUTION: Never attempt to remove or install a diode by striking it, as the shock may damage the other diodes.

f. Slip Ring Servicing

If the slip rings are dirty, they may be cleaned with No. 400 silicon carbide paper and finish polished with crocus cloth. Spin the rotor in a lathe, or otherwise spin the rotor, and hold the polishing cloth against the slip rings until they are clean.

CAUTION: The rotor must be rotated in order that the slip rings will be cleaned evenly. Cleaning the slip rings by hand without spinning the rotor may result in flat spots on the slip rings, causing brush noise.

Slip rings which are rough or out of round should be trued in a lathe to .002 inch maximum indicator reading. Remove only enough material to make the rings smooth and round. Finish polish with crocus cloth and blow away all dust.

g. Bearing Replacement

The bearing in the drive end frame can be removed by detaching the retainer plate screws, and then pressing the bearing from the end frame with Support J-9717-2.

To install a new bearing, press in with a tube or collar that just fits over the outer race. It is recommended that a new retainer plate be installed if the felt seal in the retainer plate is hardened or excessively worn.

The bearing in the slip ring end frame can be removed by pressing with a tube or collar that just fits inside the end frame housing. Press from the outside of the housing towards the inside using Support J 9717-2.

To install a new bearing, place a flat plate over the bearing and press in from the outside towards the inside of the frame until the bearing is flush with the outside of the end frame. Support the inside of the frame with a hollow cylinder to prevent breakage of the end frame. Use extreme care to avoid misalignment or otherwise placing undue stress on the bearing.

Saturate the felt seal with SAE 20 oil, and then reassemble the felt seal and steel retainer.

The bearings in the generator are permanently lubricated and require no lubrication during the life of the bearings. If a dry bearing is encountered, do not attempt to lubricate the bearing as improper lubricant or an excessive amount of lubricant may be thrown off and contaminate the inside of the Delcotron.

Replace a dry, worn, or rough bearing with a new bearing which will be prepacked with the proper kind and amount of lubricant.

h. Brush Replacement

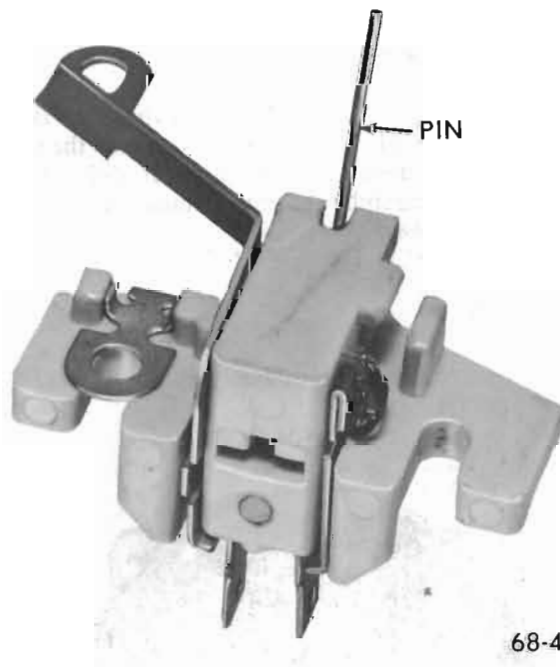
When the slip ring end frame assembly is separated from

the rotor and drive end frame assembly, the brushes will fall down onto the shaft and come in contact with the lubricant. If the brushes are to be re-used, they must be thoroughly cleaned with a soft dry cloth. Also, the shaft must be thoroughly cleaned before reassembly.

The brush springs should be inspected for any evidence of damage or corrosion. If there is any doubt as to the condition of the brush springs, they should be replaced.

To install new brushes, remove the brush holder assembly from the end frame by detaching the two brush holder assembly screws. Install the springs and brushes into the brush holder, and insert a straight wire or pin into the holes at the bottom of the holder to retain the brushes.

Then attach the brush holder assembly onto the end frame, noting carefully the proper stack-up of parts as shown in Figure 68-49. Allow the straight wire to protrude through the hole in the end frame.



68-49

Figure 68-49 Assembling Brush Holder and Parts

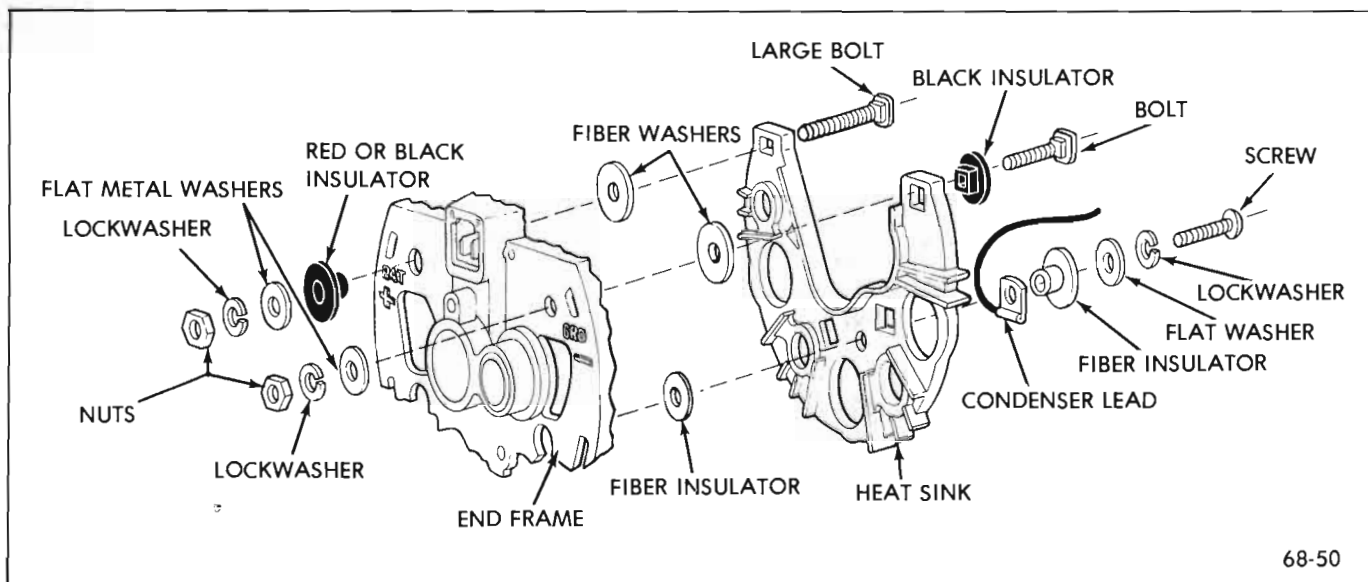


Figure 68-50 Assembling Heat Sink and Parts

i. Heat Sink Replacement

The heat sink may be replaced by removing the "BAT" and "GRD" terminals from the end frame, and the screw attaching the condenser lead to the heat sink. During reassembly, note carefully the proper stack-up of parts as shown in Figure 68-50.

for connection of internal leads. Remember when assembling the pulley to secure the rotor in a vise only tight enough to permit tightening the shaft nut to 50-60 lb. ft. If excessive pressure is applied against the rotor, the assembly may become distorted.

To install the slip ring end frame assembly to the rotor and drive end frame assembly, remove the tape over the bearing and shaft, and make sure the shaft is perfectly clean.

j. Reassembly

Reassembly is the reverse of disassembly. See Figure 68-51

Insert a straight wire as previously mentioned through the holes in the brush holder and end frame to retain the brushes in the holder. Then withdraw the wire after the generator has been completely assembled. The brushes will then drop onto the slip rings.

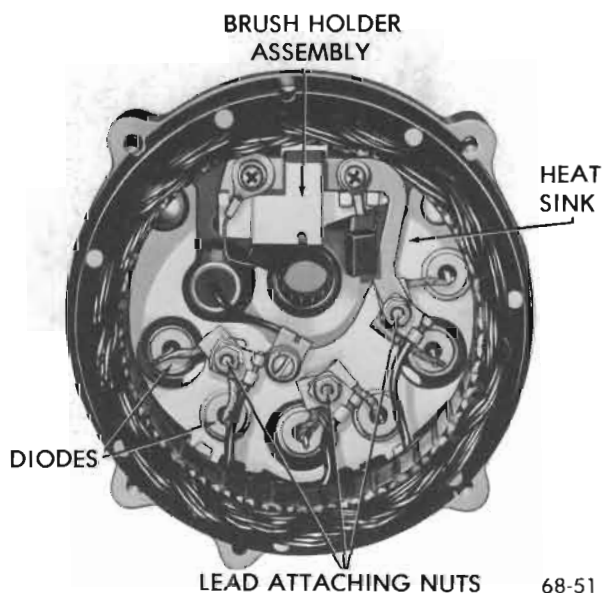


Figure 68-51 Internal Leads

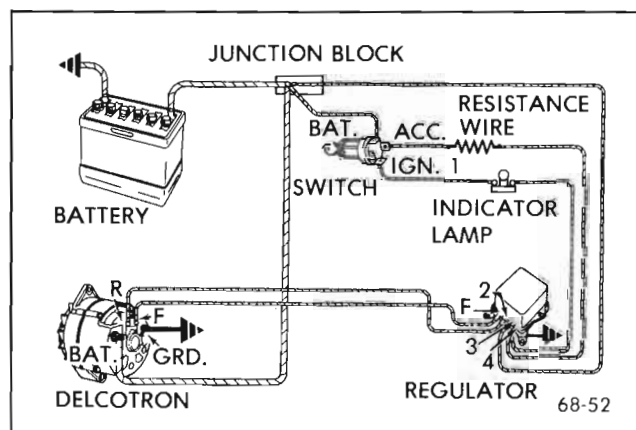


Figure 68-52 Delcotron Generator Wiring

DIVISION VI SPECIFICATIONS

68-34 GENERATING SYSTEM SPECIFICATIONS

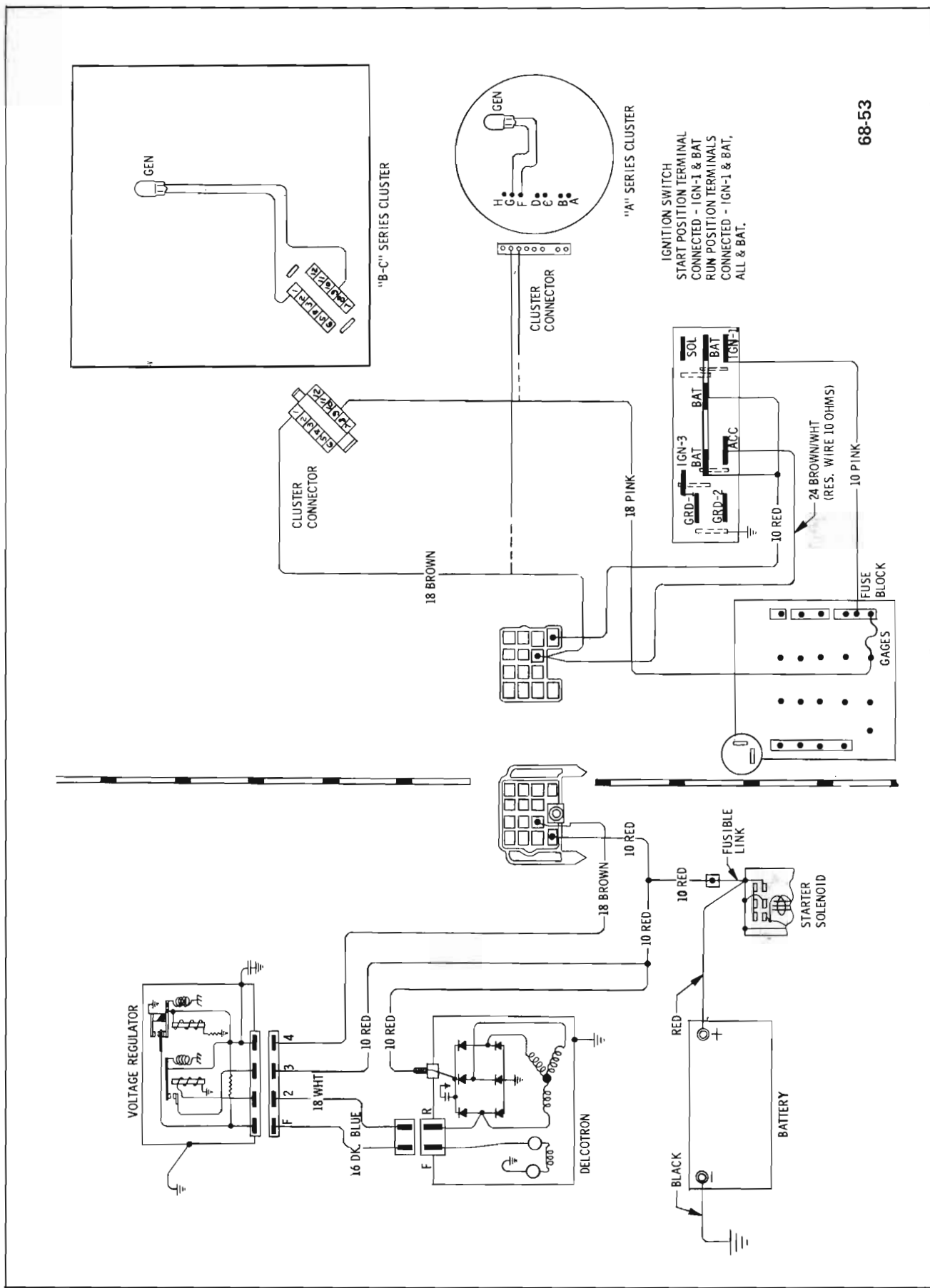
a. Generator

Make and Type Delco-Remy, Delcotron
 Location, Side of Engine Upper Right
 Drive and Rotation (Viewing Drive End) Fan Belt, Clockwise

	Standard		Air Condition		
	37A.	42A.	55A.	61A.	63A.
Number.....	1100905	1100943	1100931	1100932	1100933
Field Current Draw (Amps.) at 80 F. and 12 Volts.....	2.2 to 2.6	2.2 to 2.6	2.2 to 2.6	2.2 to 2.6	2.8 to 3.2
Bench test at 14 Volts & 80 F. (Amps. at Gen. RPM).....	37 at 6500	42 at 6500	55 at 6500	61 at 6500	63 at 6500
Min. Current Output at 500 Eng. RPM	7 Amps.	9 Amps.	9 Amps.	12 Amps.	13 Amps.
Min. Current Output at 1500 Eng. RPM	29 Amps.	32 Amps.	44 Amps.	47 Amps.	51 Amps.
Belt Tension	80 Lbs.	80 Lbs.	80 Lbs.	80 Lbs.	80 Lbs.

b. Generator Regulator

Make and Type..... Delco-Remy, Double Contact
 Regulator Number (All except 63 AMP)..... 1119515
 Regulator Number (63 AMP)..... 1119519
 Field Relay Closing Voltage..... 1.5 to 3.2
 Field Relay Air Gap..... .015"
 Field Relay Point Opening..... .030"
 Voltage Regulator Air Gap, Lower Points Just Touching..... .067"
 Voltage Regulator Upper Contact Point Opening..... .014"
 Voltage Regulator Upper Contact Setting at 2000 Eng. RPM
 (After 15 Min. Warm-Up at 1500 Eng. RPM)..... 14 ± .5 Volts
 Voltage Regulator Lower Contact Setting (Step Voltage)..... .1 to .3 Below Upper Setting



68-53

Figure 68-53 - Charging Circuit Wiring - All Except 49000